

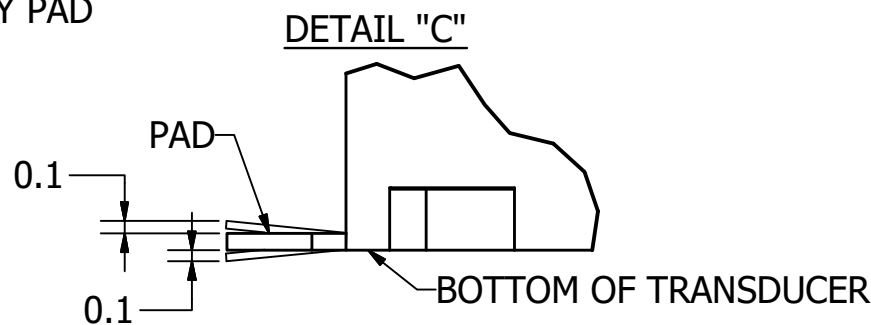
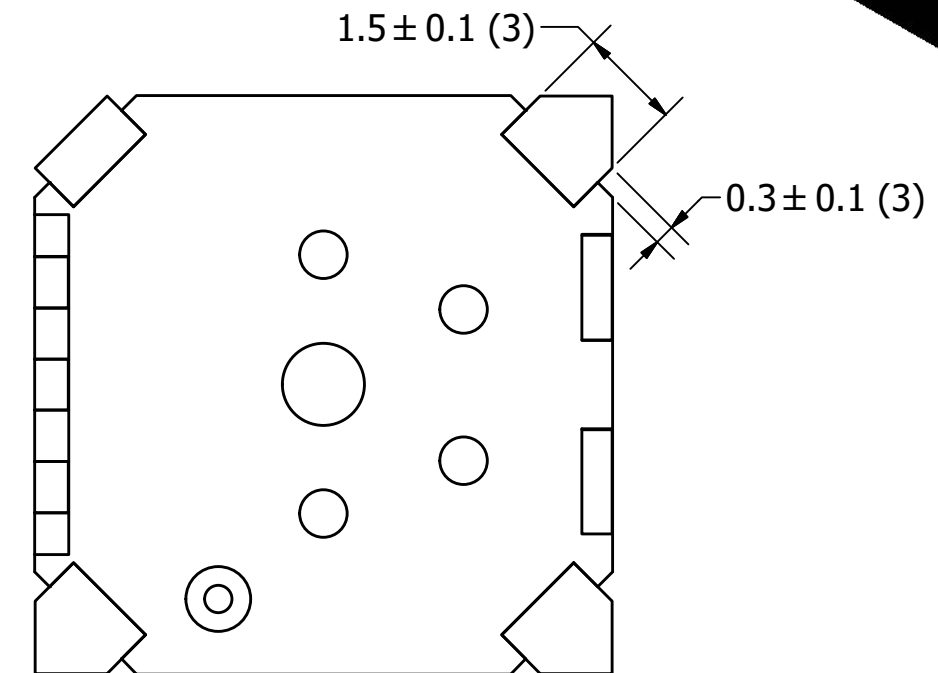
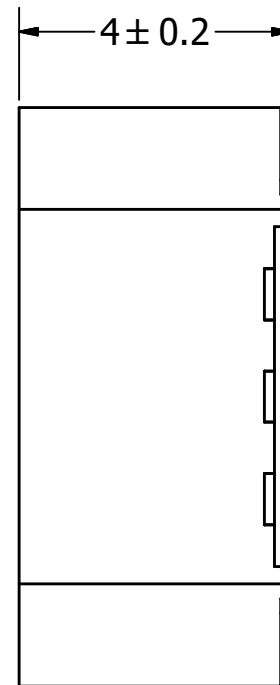
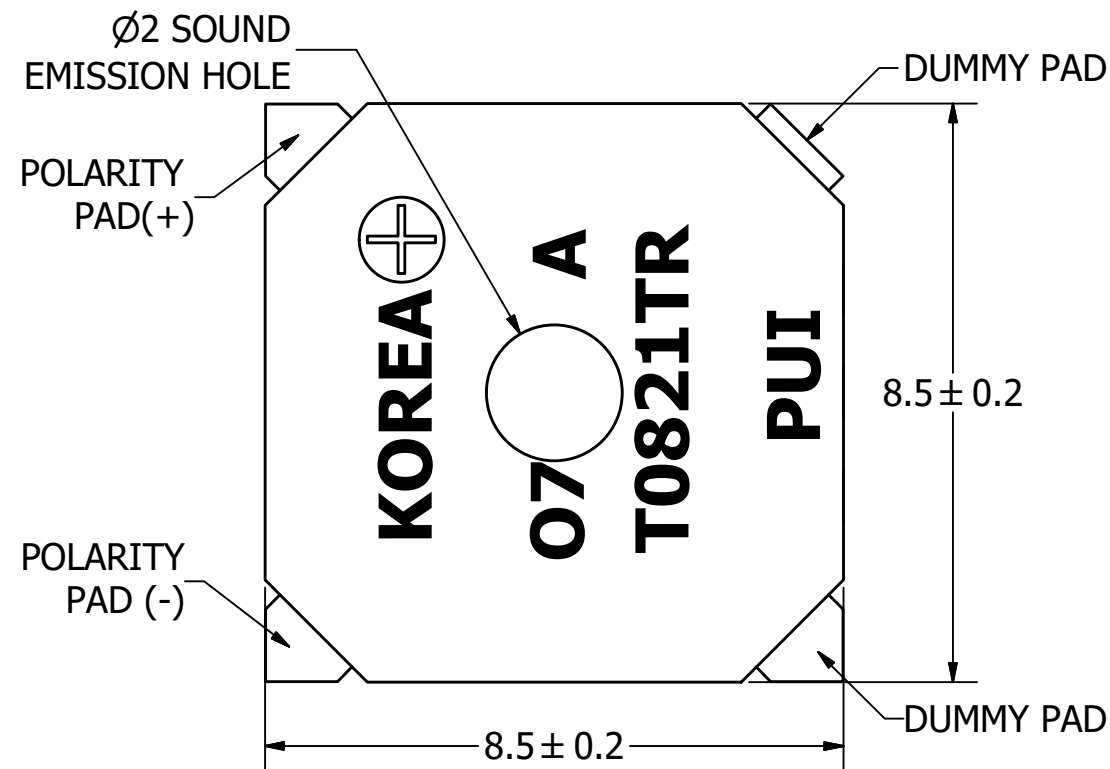
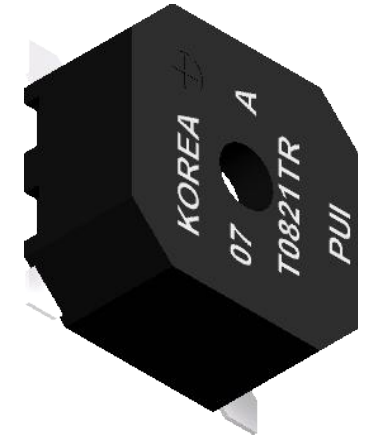
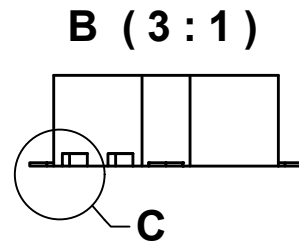
SPECIFICATIONS

PARAMETERS	VALUES	UNITS
RATED VOLTAGE (SQUARE WAVE)	3.6	V0-p
OPERATING VOLTAGE RANGE	2 ~ 4.5	V0-p
RATED CURRENT (MAX)	90	mA
COIL RESISTANCE	16 ± 2.4	OHM
MINIMUM SPL @ 10 CM	87	dB
RESONANT FREQUENCY	2,100 ± 500	Hz
OPERATING TEMPERATURE	-30 ~ +80	°C
STORAGE TEMPERATURE	-40 ~ +85	°C
HOUSING MATERIAL	LCP	-
TERMINAL MATERIAL	Sn PLATED PBS	-
WEIGHT	0.45	grams

THIS DOCUMENT CONTAINS DATA PROPRIETARY TO PROJECTS UNLIMITED, INC. ANY USE OR REPRODUCTION, IN ANY FORM, WITHOUT PRIOR WRITTEN PERMISSION OF PROJECTS UNLIMITED, INC. IS PROHIBITED.
©2003, Projects Unlimited Inc.

REVISION HISTORY

LTR	DESCRIPTION	DATE	APPROVED
-	RELEASED FROM ENGINEERING	9/16/2005	
A	REVISED LOWER HOUSING	10/8/2008	B.R.
B	REVISED TO INVENTOR 3-D DRAWING TEMPLATE	10/26/2008	E.P.
C	REVISED VOLTAGE, TEMPERATURE, COIL IMPEDANCE, AND TERMINAL MATERIAL	2/28/2020	M.V.



NOTES:

1. ALL DIMENSIONS ARE IN MILLIMETERS.
2. SPECIFICATIONS SUBJECT TO CHANGE OR WITHDRAWL WITHOUT NOTICE.
3. THIS PART IS RoHS 2002/95/EC COMPLIANT.

UNLESS OTHERWISE SPECIFIED: DIMENSIONS ARE IN MILLIMETERS, TOLERANCES ARE ±0.5 AND ANGLES ARE ±3°.	SIZE A3	Designed by	Date	Checked by	Date	Approved by	Date	Drawn Date
		J.A.F.	9/16/2005	B.R.	9/16/2005	E.P.	9/16/2005	10/26/2008
SMT-0821-T-R.idw				SMT-0821-T-R				
		Transducer (Electro-Mech)				Edition	Sheet	
						-	1 / 1	