

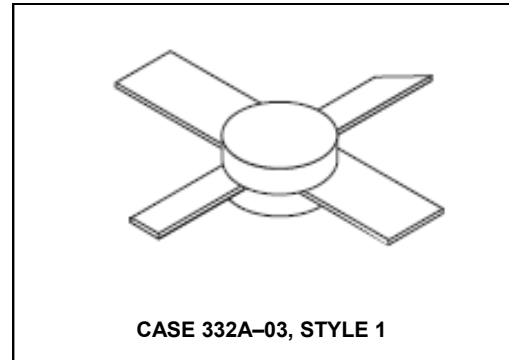
Microwave Pulse Power Silicon NPN Transistor 4.0W (peak), 960–1215MHz

Rev. V1

Designed for Class B and C common base amplifier applications in short and long pulse TACAN, IFF, DME, and radar transmitters.

- Guaranteed performance @ 1090 MHz, 35 Vdc
Output power = 4.0 W Peak
Minimum gain = 10 dB
- 100% Tested for load mismatch at all phase angles with 10:1 VSWR
- Industry standard package
- Nitride passivated
- Gold metallized, emitter ballasted for long life and resistance to metal migration
- Internal input matching for broadband operation

Product Image



MAXIMUM RATINGS

| Rating | Symbol | Value | Unit |
|--|-----------|-------------|-------------------------------|
| Collector–Emitter Voltage | V_{CEO} | 20 | Vdc |
| Collector–Base Voltage | V_{CBO} | 50 | Vdc |
| Emitter–Base Voltage | V_{EBO} | 3.5 | Vdc |
| Collector Current — Continuous | I_C | 250 | mAdc |
| Total Device Dissipation @ $T_C = 25^\circ\text{C}$ (1) Derate above 25°C | P_D | 7.0 40 | Watts mW/ $^\circ\text{C}$ |
| Storage Temperature Range | T_{stg} | –65 to +150 | $^\circ\text{C}$ |

THERMAL CHARACTERISTICS

| Characteristic | Symbol | Max | Unit |
|--|-----------------|-----|---------------------------|
| Thermal Resistance, Junction to Case (2) | $R_{\theta JC}$ | 25 | $^\circ\text{C}/\text{W}$ |

ELECTRICAL CHARACTERISTICS ($T_C = 25^\circ\text{C}$ unless otherwise noted)

| Characteristic | Symbol | Min | Typ | Max | Unit |
|----------------|--------|-----|-----|-----|------|
|----------------|--------|-----|-----|-----|------|

OFF CHARACTERISTICS

| | | | | | |
|---|---------------|-----|---|-----|------|
| Collector–Emitter Breakdown Voltage ($I_C = 5.0$ mAdc, $I_B = 0$) | $V_{(BR)CEO}$ | 20 | — | — | Vdc |
| Collector–Emitter Breakdown Voltage ($I_C = 5.0$ mAdc, $V_{BE} = 0$) | $V_{(BR)CES}$ | 50 | — | — | Vdc |
| Collector–Base Breakdown Voltage ($I_C = 5.0$ mAdc, $I_E = 0$) | $V_{(BR)CBO}$ | 50 | — | — | Vdc |
| Emitter–Base Breakdown Voltage ($I_E = 1.0$ mAdc, $I_C = 0$) | $V_{(BR)EBO}$ | 3.5 | — | — | Vdc |
| Collector Cutoff Current ($V_{CB} = 35$ Vdc, $I_E = 0$) | I_{CBO} | — | — | 0.5 | mAdc |

ON CHARACTERISTICS

| | | | | | |
|---|----------|----|---|-----|---|
| DC Current Gain ($I_C = 75$ mAdc, $V_{CE} = 5.0$ Vdc) | h_{FE} | 10 | — | 100 | — |
|---|----------|----|---|-----|---|

NOTES:

(continued)

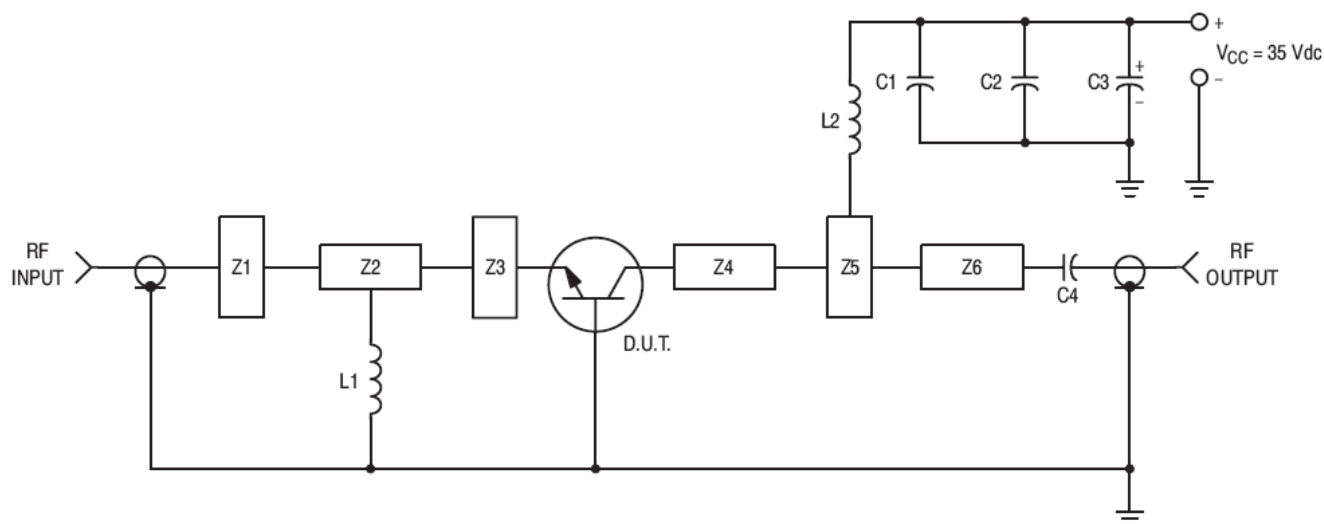
1. These devices are designed for RF operation. The total device dissipation rating applies only when the device is operated as RF amplifiers.
2. Thermal Resistance is determined under specified RF operating conditions by infrared measurement techniques.

Microwave Pulse Power Silicon NPN Transistor 4.0W (peak), 960–1215MHz

Rev. V1

ELECTRICAL CHARACTERISTICS — continued ($T_C = 25^\circ\text{C}$ unless otherwise noted)

| Characteristic | Symbol | Min | Typ | Max | Unit |
|--|----------|--------------------------------|-----|-----|------|
| DYNAMIC CHARACTERISTICS | | | | | |
| Output Capacitance ($V_{CB} = 35\text{ Vdc}$, $I_E = 0$, $f = 1.0\text{ MHz}$) | C_{ob} | — | 3.3 | 5.0 | pF |
| FUNCTIONAL TESTS (Pulse Width = $10\ \mu\text{s}$, Duty Cycle = 1.0%) | | | | | |
| Common–Base Amplifier Power Gain ($V_{CC} = 35\text{ Vdc}$, $P_{out} = 4.0\text{ W pk}$, $f = 1090\text{ MHz}$) | G_{PB} | 10 | 11 | — | dB |
| Collector Efficiency ($V_{CC} = 35\text{ Vdc}$, $P_{out} = 4.0\text{ W pk}$, $f = 1090\text{ MHz}$) | η | 40 | 45 | — | dB |
| Load Mismatch ($V_{CC} = 35\text{ Vdc}$, $P_{out} = 4.0\text{ W pk}$, $f = 1090\text{ MHz}$, VSWR = 10:1 All Phase Angles) | ψ | No Degradation in Power Output | | | |



$C1$ — $0.1\ \mu\text{F}$
 $C2, C4$ — $220\ \text{pF}$ Chip Capacitor
 $C3$ — $20\ \mu\text{F}$, $50\ \text{V}$ Electrolytic
 $L1, L2$ — 3 Turns #18 AWG, $1/8''$ ID
 $Z1$ – $Z6$ Distributed Microstrip Elements, See Photomaster
 Board Material — $0.031''$ Thick Glass Teflon

Figure 1. 1090 MHz Test Circuit

TYPICAL CHARACTERISTICS

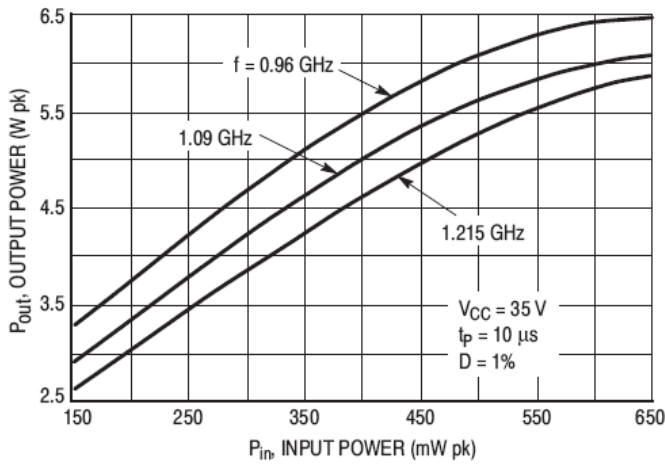


Figure 2. Output Power versus Input Power

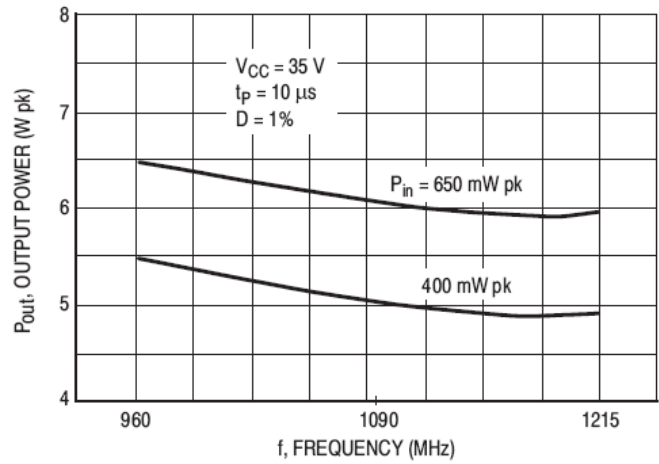


Figure 3. Output Power versus Frequency

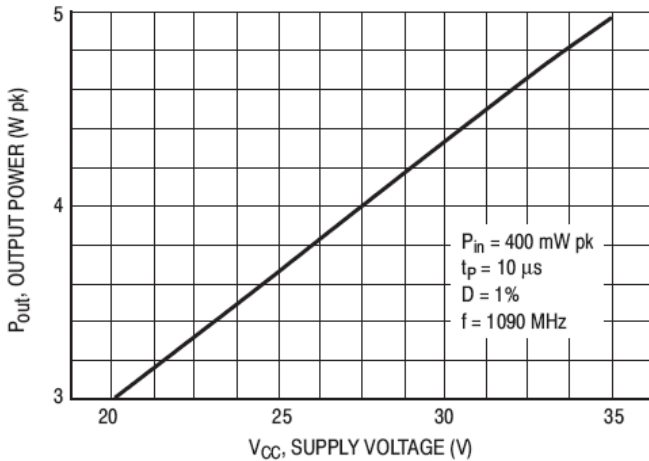


Figure 4. Output Power versus Supply Voltage

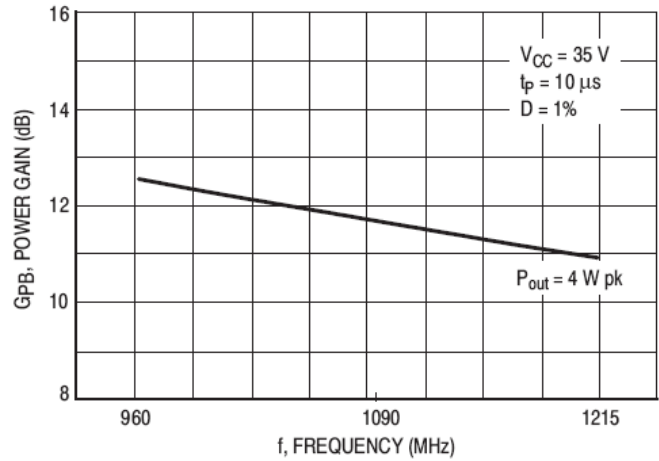


Figure 5. Power Gain versus Frequency

TYPICAL CHARACTERISTICS

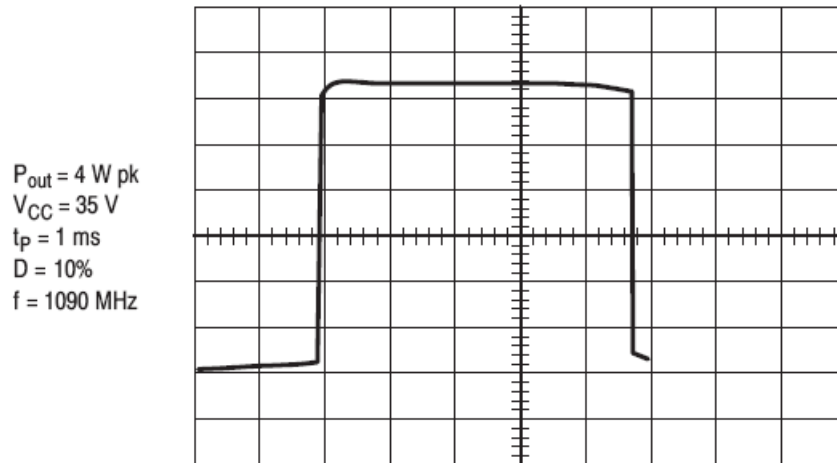
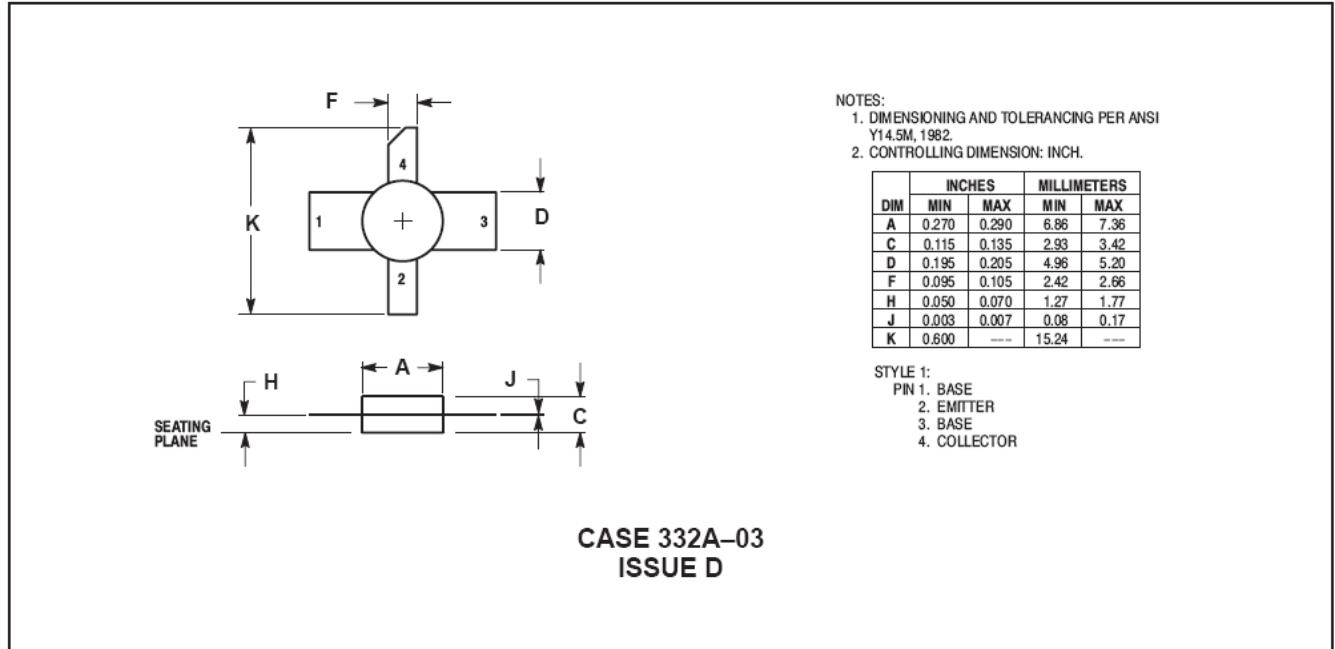


Figure 7. Typical Long Pulse Performance

PACKAGE DIMENSIONS



M/A-COM Technology Solutions Inc. All rights reserved.

Information in this document is provided in connection with M/A-COM Technology Solutions Inc ("MACOM") products. These materials are provided by MACOM as a service to its customers and may be used for informational purposes only. Except as provided in MACOM's Terms and Conditions of Sale for such products or in any separate agreement related to this document, MACOM assumes no liability whatsoever. MACOM assumes no responsibility for errors or omissions in these materials. MACOM may make changes to specifications and product descriptions at any time, without notice. MACOM makes no commitment to update the information and shall have no responsibility whatsoever for conflicts or incompatibilities arising from future changes to its specifications and product descriptions. No license, express or implied, by estoppel or otherwise, to any intellectual property rights is granted by this document.

THESE MATERIALS ARE PROVIDED "AS IS" WITHOUT WARRANTY OF ANY KIND, EITHER EXPRESS OR IMPLIED, RELATING TO SALE AND/OR USE OF MACOM PRODUCTS INCLUDING LIABILITY OR WARRANTIES RELATING TO FITNESS FOR A PARTICULAR PURPOSE, CONSEQUENTIAL OR INCIDENTAL DAMAGES, MERCHANTABILITY, OR INFRINGEMENT OF ANY PATENT, COPYRIGHT OR OTHER INTELLECTUAL PROPERTY RIGHT. MACOM FURTHER DOES NOT WARRANT THE ACCURACY OR COMPLETENESS OF THE INFORMATION, TEXT, GRAPHICS OR OTHER ITEMS CONTAINED WITHIN THESE MATERIALS. MACOM SHALL NOT BE LIABLE FOR ANY SPECIAL, INDIRECT, INCIDENTAL, OR CONSEQUENTIAL DAMAGES, INCLUDING WITHOUT LIMITATION, LOST REVENUES OR LOST PROFITS, WHICH MAY RESULT FROM THE USE OF THESE MATERIALS.

MACOM products are not intended for use in medical, lifesaving or life sustaining applications. MACOM customers using or selling MACOM products for use in such applications do so at their own risk and agree to fully indemnify MACOM for any damages resulting from such improper use or sale.