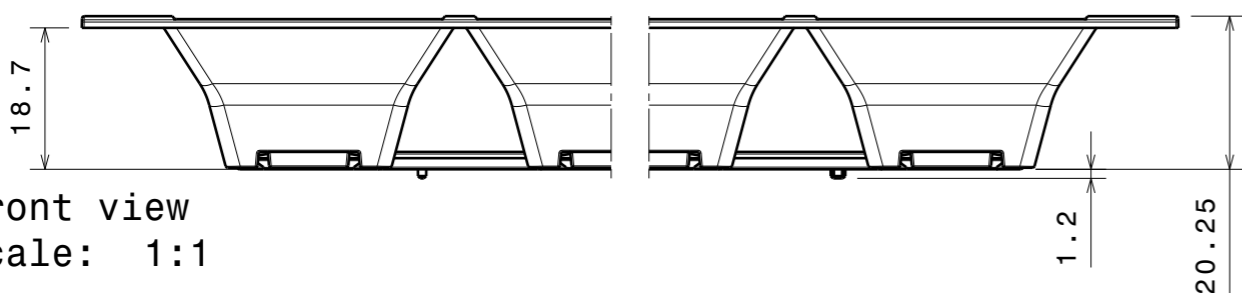
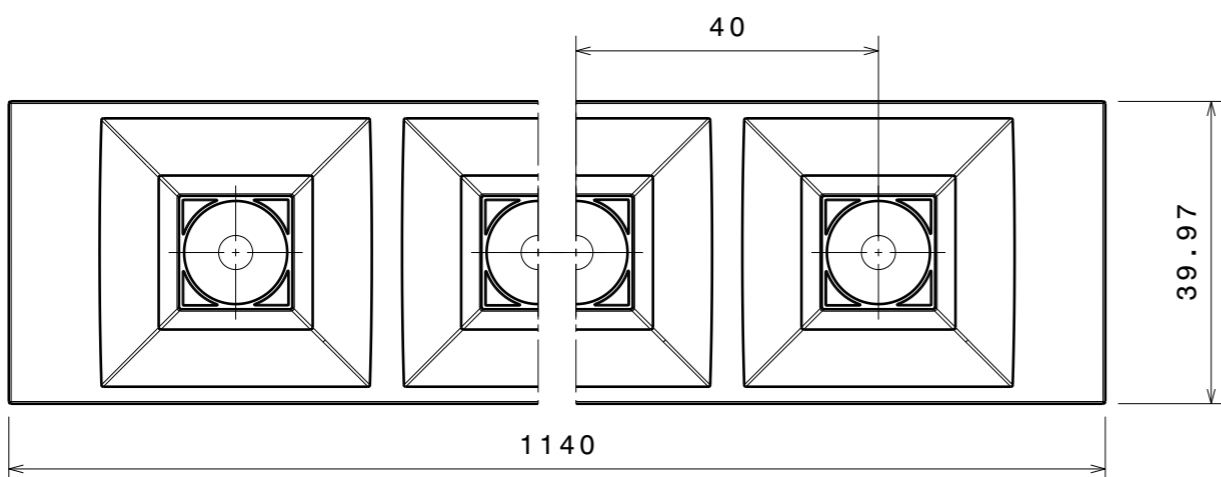


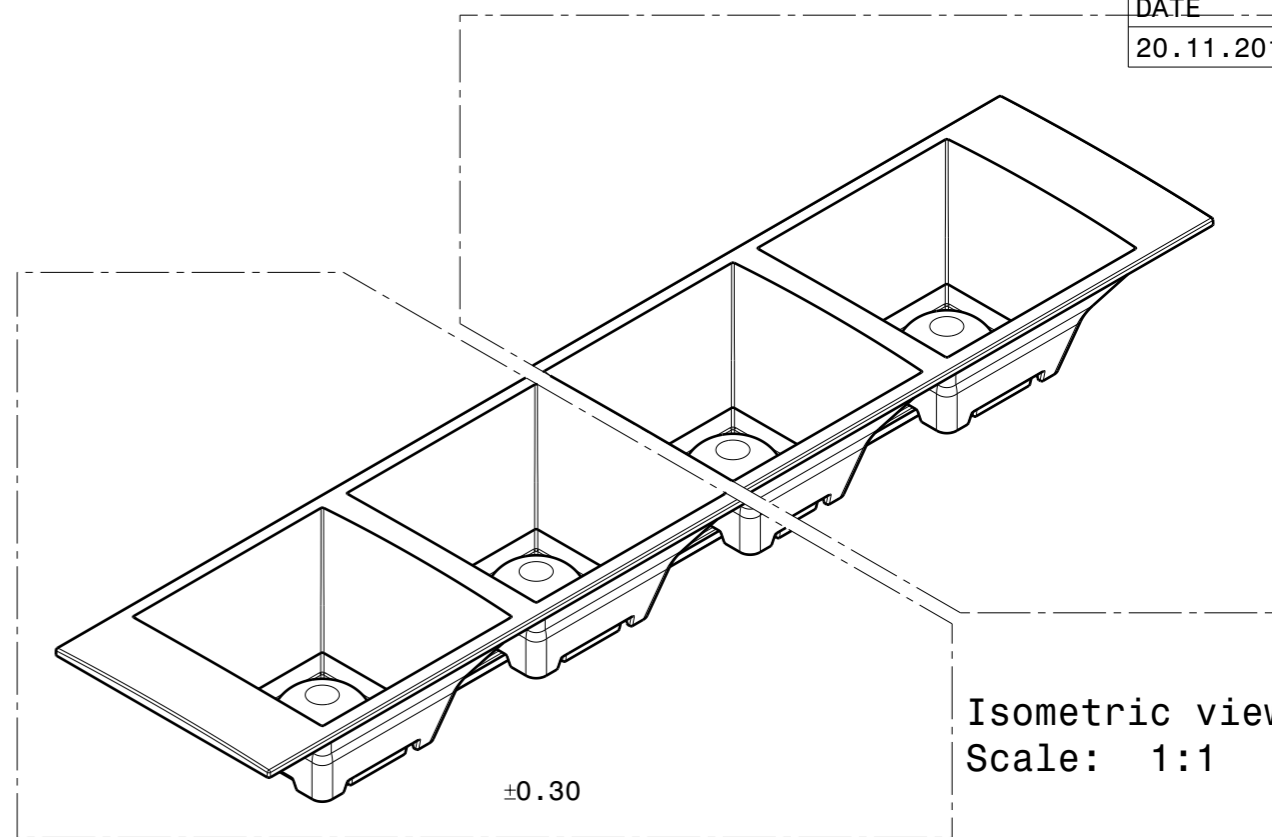
Bottom view
Scale: 1:1



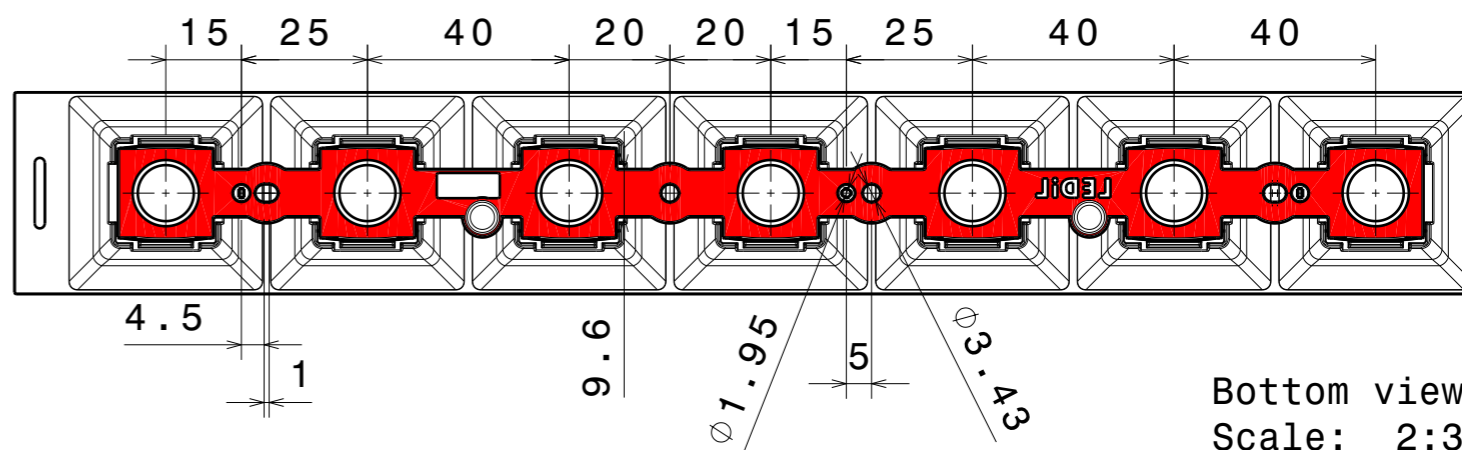
Front view
Scale: 1:1



Top view
Scale: 1:1



Isometric view
Scale: 1:1



Bottom view
Scale: 2:3

CN17384_DAISSY-28X1-W2-WHT-B-D

INDEX	QTY.	PART NO	TYPE	MATERIAL	COLOR
1	7	C17363_DAISSY-7X1-W2-D	LENS	PMMA	MILKY
2	1	C16783_DAISSY_28X1-SHD-WHT	SHD	PC	WHITE

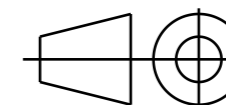
MECHANICAL DRAWING

PRODUCT
DAISSY-28X1

LEDiL®

Plastic moulding general tolerances according to DIN 16901-130 and applies if not otherwise shown in the drawing.
Silicone moulding general tolerances according to ISO 3302-1 Class M3 and applies if not otherwise shown in the drawing.

FIRST ANGLE PROJECTION:



This drawing is the property of LEDiL Oy. It may not be copied or otherwise distributed without prior written permission from LEDiL Oy.

SCALE 1:1

WEIGHT -

A3 SHEET 1/1

Notes

Ensure LED fitting from a product specific 3D model available from www.ledil.com
For more details about installation please see LEDiL Installation Guide on www.ledil.com

4

4

3

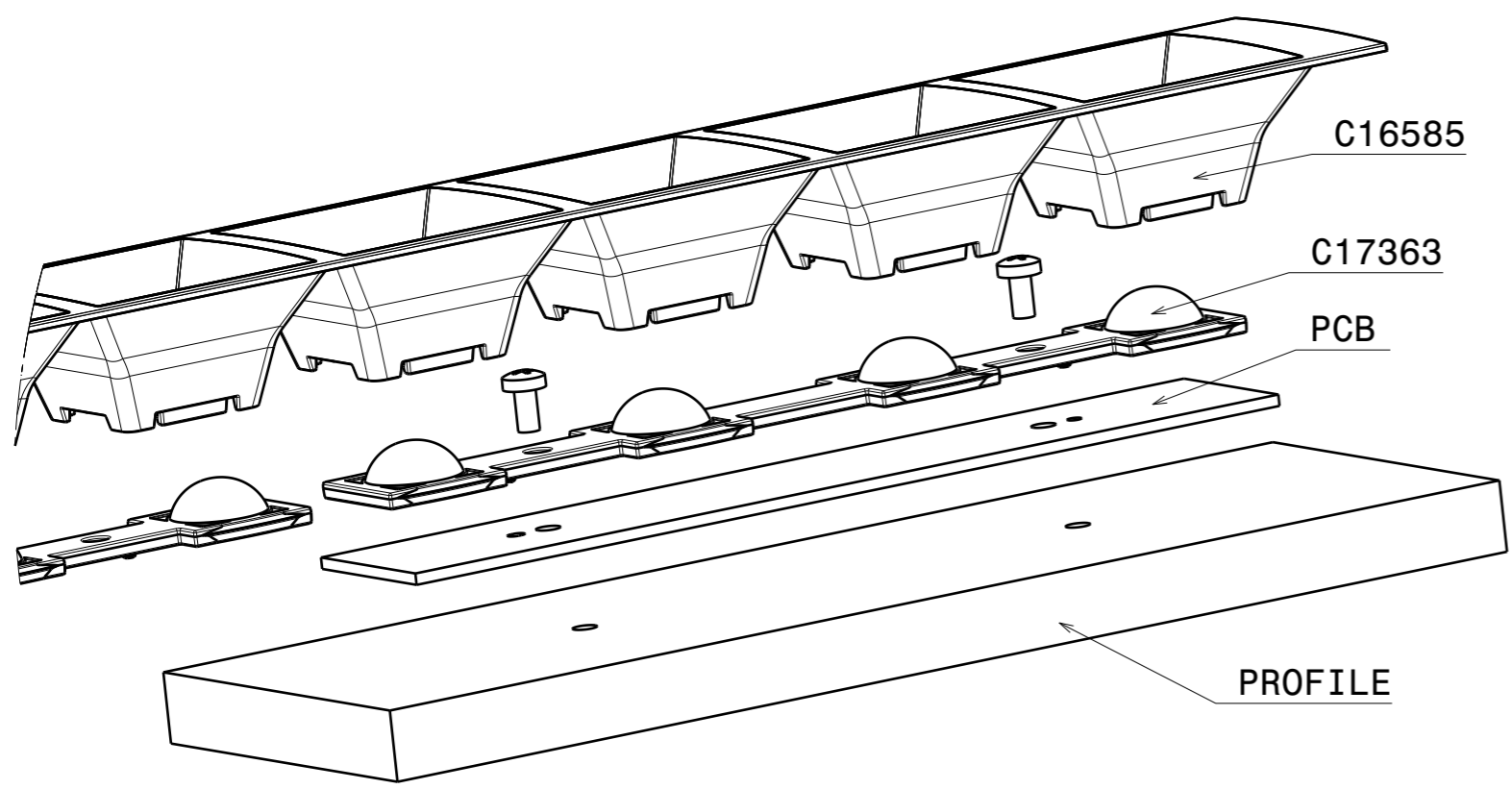
3

2

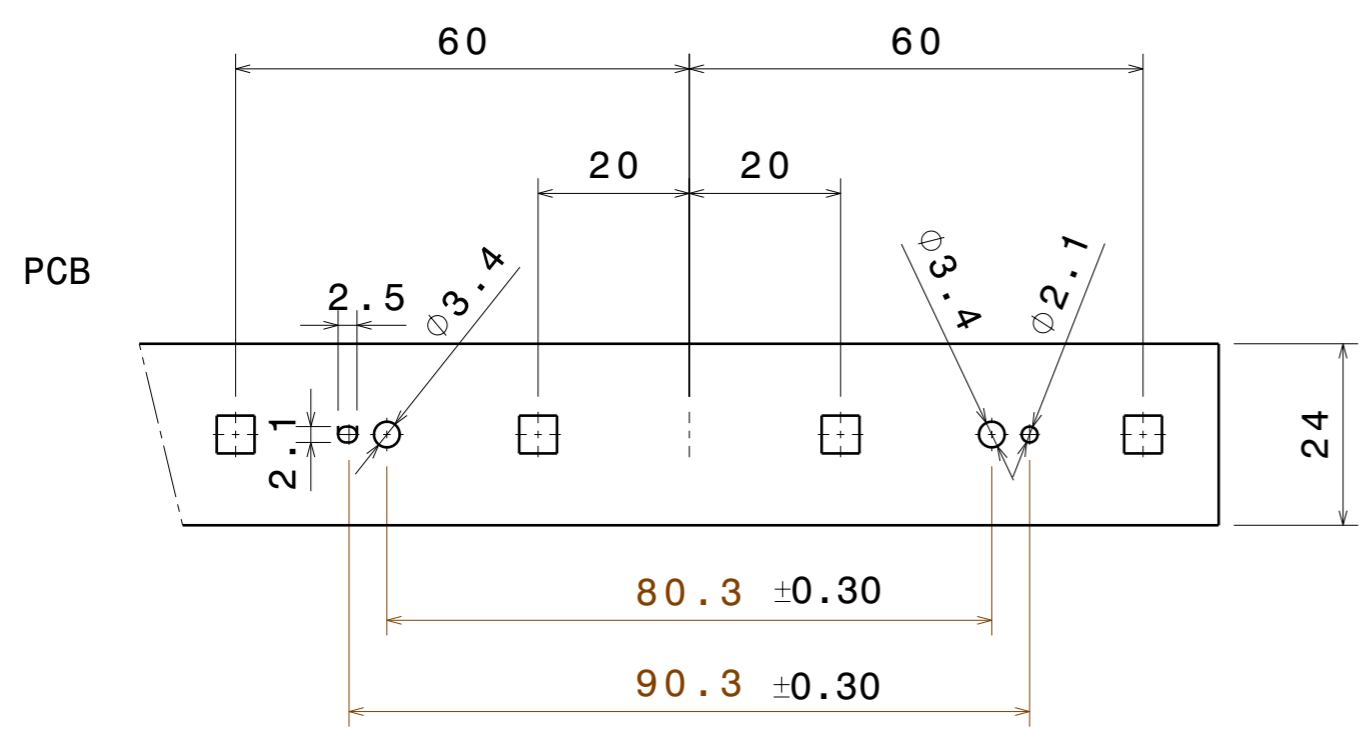
2

1

1



Scale: 1:1



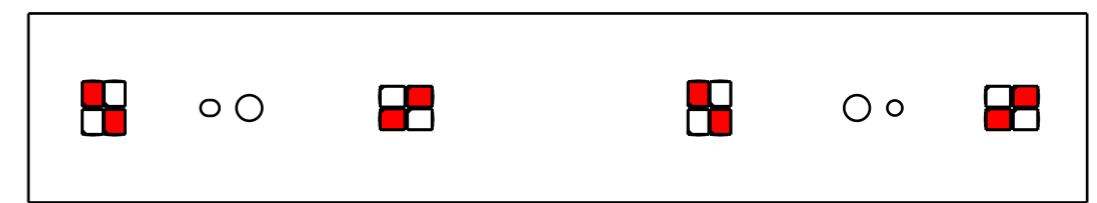
Positioning of different LED combinations
Recommended LED spacing in clusters 0.2mm



LED 1 X 5050



LED 2 X 5630



LED 4 X 2835

CN17384_DAISSY-28X1-W2-WHT-B-D

INDEX	QTY.	PART NO	TYPE	MATERIAL	COLOR
1	7	C17363_DAISSY-7X1-W2-D	LENS	PMMA	MILKY
2	1	C16783_28X1-SHD-WHT	SHD	PC	WHITE

MECHANICAL DRAWING		LEDiL®
PRODUCT DAISSY - 28X1		
Plastic moulding general tolerances according to DIN 16901-130 and applies if not otherwise shown in the drawing. Silicone moulding general tolerances according to ISO 3302-1 Class M3 and applies if not otherwise shown in the drawing.	FIRST ANGLE PROJECTION: 	This drawing is the property of LEDiL Oy. It may not be copied or otherwise distributed without prior written permission from LEDiL Oy.
SCALE 1:1	WEIGHT -	A3 SHEET 1/1

Notes
Ensure LED fitting from a product specific 3D model available from www.ledil.com
For more details about installation please see LEDiL Installation Guide on www.ledil.com