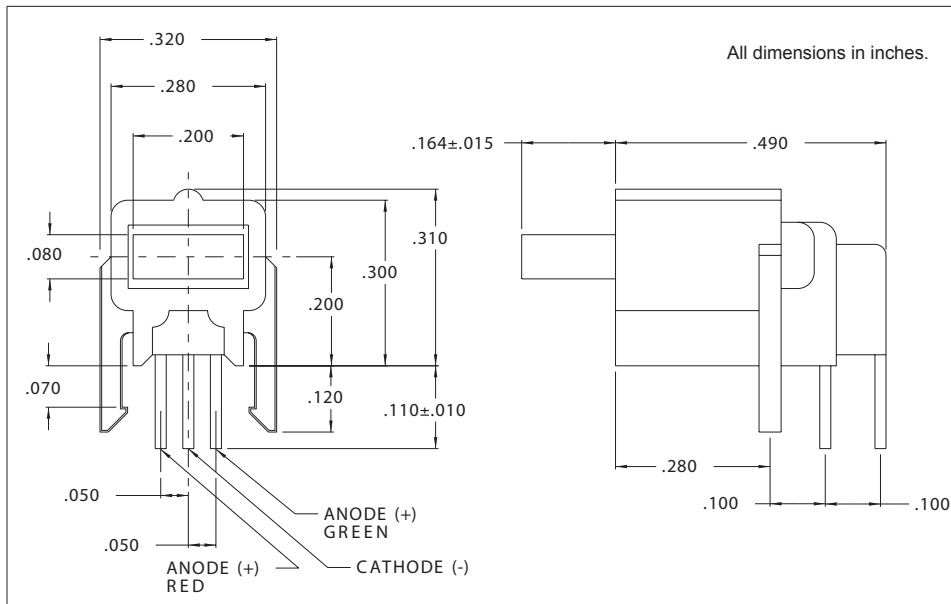


## 5639 Series Rectangular Bicolor Right Angle LED Assembly

### Description and Features



#### Features

- 3 lead design provides 3 color output.
- Brightness matched chips.
- Block mounting for consistent height and spacing alignment, saves assembly cost.
- Snap-in mounting
- Standoffs prevent flux entrapment.

Housing: Thermoplastic polyester, black UL94V-O

Refer to "Mounting Hole Pattern 4.pdf"

### Electro-Optical Characteristics and Ratings

Part Number	Emitted Color	Typical Intensity (mcd)	Rated Current (mA)	Continuous Forward Current Max. (mA)	Forward Voltage		Reverse Breakdown Voltage Min. (V)	Peak Wavelength (nm)
					Typ. (V)	Max. (V)		
5639D1/5	Red	3.5	20	25	2.1	2.5	5	635
	Green	4.0	20	25	2.3	2.5	5	565