

**NO:** REL-140  
**DATE:** March 2014

**PRODUCT:** G6Z(U)(K) High Frequency Relay  
**TYPE:** Product **DISCONTINUATION**

**G6Z(U)(K) Signal Relays to be DISCONTINUED**  
**March 31, 2016**

Based upon a diminishing demand for the G6Z series High Frequency Relay, OMRON will discontinue these models at the end of March 2016. Although there is no direct replacement for this series, Omron recommends consideration of the G6K-RF High Frequency Relays. Therefore, please carefully read through and note the differences. The following details will fully explain the discontinuation and replacement considerations; should you have any additional questions, however, please communicate with your Omron sales team.

**Product Discontinuation**

Surface-mounting High-frequency Relay  
**Model G6Z(U)-1F[] (50Ohm)**  
**Model G6Z(U)-1F[] (75Ohm)**  
**Model G6Z(U)-1P[] (PCB terminal)**  
**Model G6ZK-[] (2 coil latching)**



**Suggested Replacement**

Surface-mounting High-frequency Relay  
**Model G6K(U)-2F-RF(-S,-T)-[]**  
**No Recommended Replacement**  
**No Recommended Replacement**  
**No Recommended Replacement**

**Discontinuation date**

**End of March, 2016**

**LAST Order date**

**February 29, 2016**

**Caution on suggested replacement:**

There are differences with Dimensions, PCB Layout, Contact Form, Ratings and Characteristics. Therefore, please consider the suggested replacement carefully, for new designs.

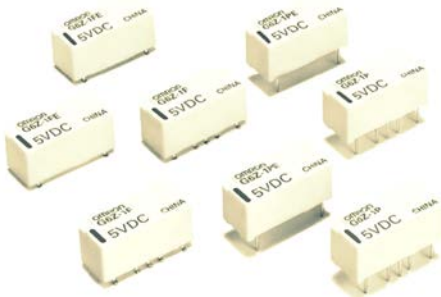
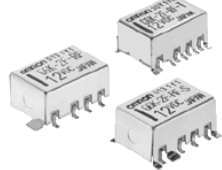
**G6K-RF -- Differences from discontinued product:**

Suggested replacement Model	Body Color	Dimen-sions	Wire connection	Mounting Dimensions	Charact-eristics	Operation ratings	Operation methods
G6K(U)-2F-RF(-S,-T)-[]	--	--	--	--	--	--	--

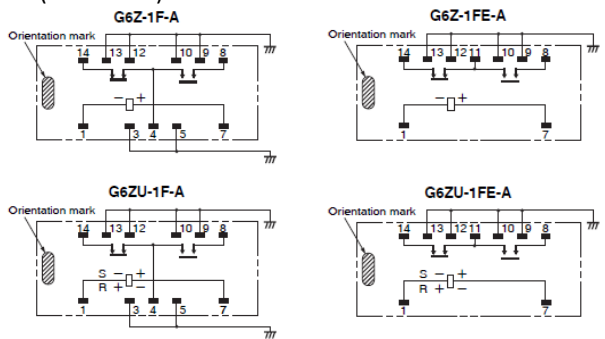
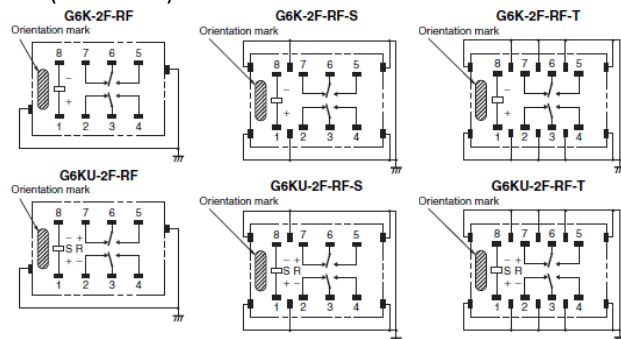
- \*\* : Compatible
- \* : The change is a little/Almost compatible
- : Not compatible
- : No corresponding specification

\* Please, advise your customers of this notification.  
 For further technical support and any questions, please communicate with Omron Electronic Components LLC.

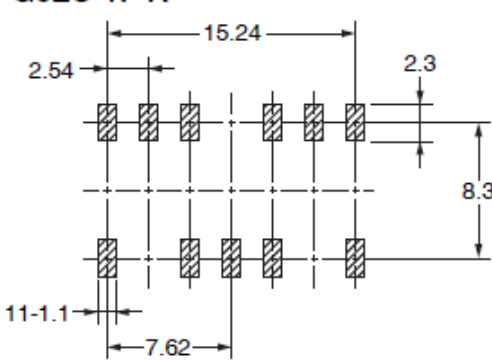
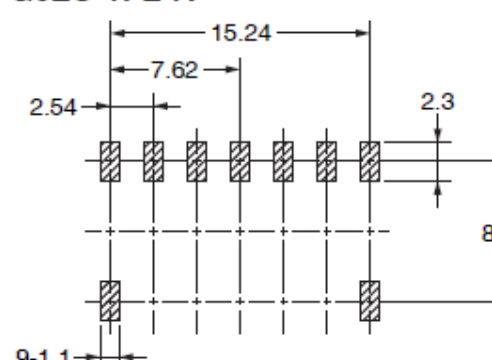
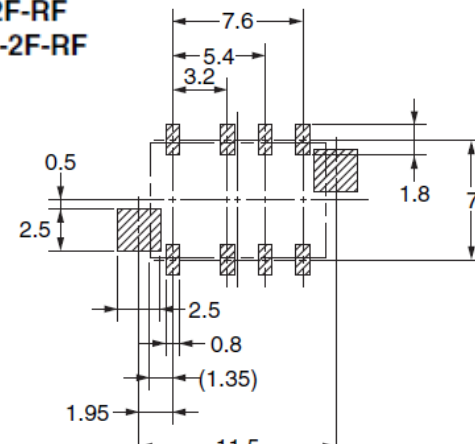
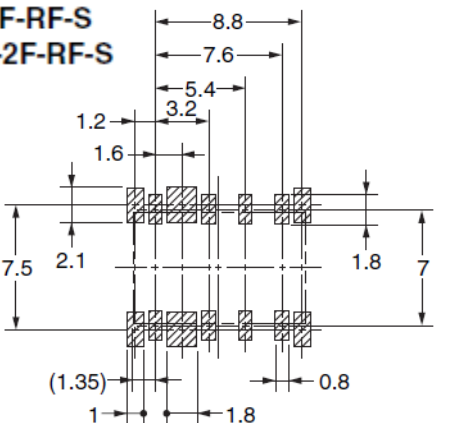
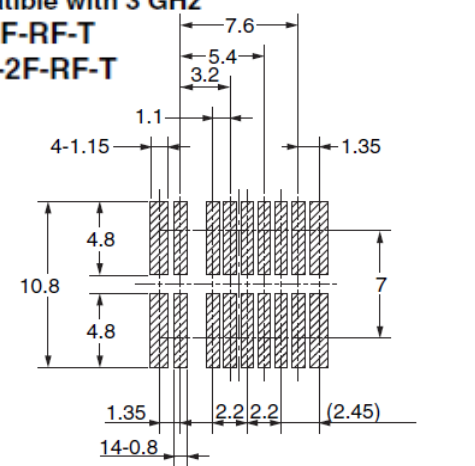
**Body color:**

Discontinued Product Model G6Z series	Suggested Replacement Model G6K(U)-2F-RF(-S,-T)-[]
<p><b>Ivory</b></p> 	<p><b>Silver</b></p> 

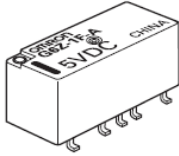
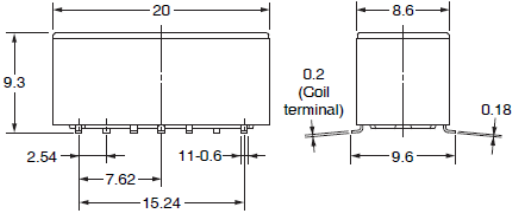
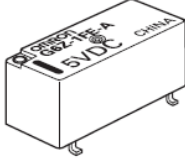
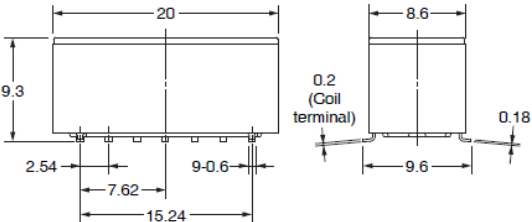
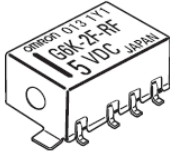
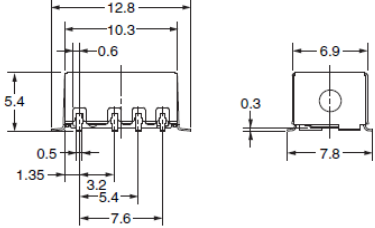
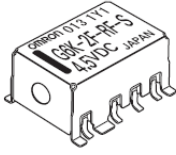
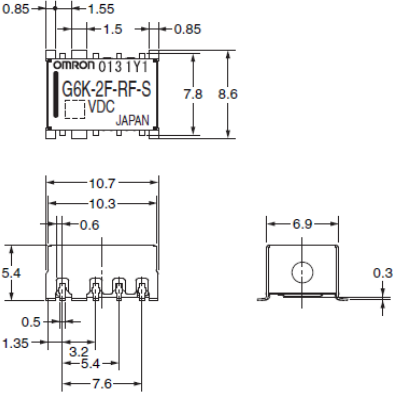
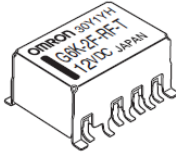
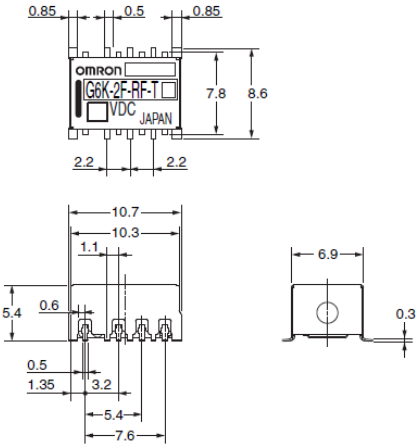
**Wire connection:**

Discontinued Product Model G6Z series	Suggested replacement Model G6K(U)-2F-RF(-S,-T)-[]
<p><b>Model G6Z(U)-1F[] (50 Ohm)</b> Terminal arrangement / Internal connections (TOP VIEW)</p> 	<p><b>Terminal arrangement / Internal connections (TOP VIEW)</b></p> 

**Mounting dimensions:**

Discontinued Product Model G6Z series	Suggested replacement Model G6K(U)-2F-RF(-S,-T)-[]
<p><b>Model G6Z(U)-1F[] (50 Ohm)</b> Mounting dimensions (TOP VIEW) Tolerance <math>\pm 0.1\text{mm}</math></p> <p><b>G6Z-1F-A</b> <b>G6ZU-1F-A</b></p>  <p><b>G6Z-1FE-A</b> <b>G6ZU-1FE-A</b></p> 	<p>Mounting dimensions (TOP VIEW) Tolerance <math>\pm 0.1\text{mm}</math></p> <p><b>Standard Specifications</b> <b>G6K-2F-RF</b> <b>G6KU-2F-RF</b></p>  <p><b>Board space-saving model</b> <b>G6K-2F-RF-S</b> <b>G6KU-2F-RF-S</b></p>  <p><b>Compatible with 3 GHz</b> <b>G6K-2F-RF-T</b> <b>G6KU-2F-RF-T</b></p> 

**Dimensions:**

Discontinued Product Model G6Z series	Suggested replacement Model G6K(U)-2F-RF(-S,-T)-[]
<p><b>Model G6Z(U)-1F[] (50 Ohm)</b></p> <p><b>G6Z-1F-A</b> <b>G6ZU-1F-A</b></p>   <p>Note 1. Each value has a tolerance of <math>\pm 0.3</math> mm. Note 2. The coplanarity of the terminals is 0.1 mm max.</p> <p><b>G6Z-1FE-A</b> <b>G6ZU-1FE-A</b></p>   <p>Note 1. Each value has a tolerance of <math>\pm 0.3</math> mm. Note 2. The coplanarity of the terminals is 0.1 mm max.</p>	<p><b>Standard Specifications</b> <b>G6K-2F-RF</b> <b>G6KU-2F-RF</b></p>   <p>Note 1. Each value has a tolerance of <math>\pm 0.3</math> mm. Note 2. The coplanarity of the terminals is 0.15 mm max.</p> <p><b>Board space-saving model</b> <b>G6K-2F-RF-S</b> <b>G6KU-2F-RF-S</b></p>   <p>Note 1. Each value has a tolerance of <math>\pm 0.3</math> mm. Note 2. The coplanarity of the terminals is 0.15 mm max.</p> <p><b>Compatible with 3 GHz</b> <b>G6K-2F-RF-T</b> <b>G6KU-2F-RF-T</b></p>   <p>Note 1. Each value has a tolerance of <math>\pm 0.3</math> mm. Note 2. The coplanarity of the terminals is 0.15 mm max.</p>

## Characteristics and Operation ratings:

Item	Discontinued Product Model G6Z series	Suggested replacement Model G6K(U)-2F-RF(-S,-T)-[]
<b>Ratings of Contacts</b>		
Rated load	30 VAC 10 mA 30 VDC 10 mA 900 MHz 10 W* *Impedance 50, 75 Ω With a V.SWR of 1.2 max.	125 VAC 0.3 A 30 VDC 1 A 1 GHz 1 W* * Impedance 50 Ω With a V.SWR of 1.2 max.
Rated carry current	0.5 A	1 A
Max. switching voltage	30 VAC, 30 VDC	125 VAC, 60 VDC
Max. switching current	0.5 A	1 A
<b>Ratings of High-frequency Characteristics</b>		
	Please see table 1.	Please see table 2.
<b>Ratings of coil</b>		
Rated voltage	3/4.5/5/9/12/24VDC	3/4.5/5/9/12/24VDC
Must operate (set) voltage (Latching models value)	75% max. (75% max.)	80% max. (75% max.)
Must release (release) voltage (Latching models value)	10% min. (75% max.)	10% min. (75% max.)
Maximum voltage	150%	150%
Power consumption (2-coil latching models value)	Approx. 200 mW (Approx. 360 mW)	Approx. 100 mW
<b>Characteristics</b>		
Contact resistance	100 mΩ max.	100 mΩ max.
Operating (set) time	10 ms max.	3 ms max.
Release (reset) time	10 ms max.	3 ms max.
Insulation resistance (at 500VDC)	100 MΩ min.	1000 MΩ min.
Dielectric strength (Between coil and contacts)	1000 VAC, 50/60 Hz 1min	750 VAC, 50/60 Hz 1min
Dielectric strength (Between GND and coil / contacts)	500 VAC, 50/60 Hz 1min	500 VAC, 50/60 Hz 1min
Dielectric strength (Between contacts of same polarity)	500 VAC, 50/60 Hz 1min	750 VAC, 50/60 Hz 1min
Vibration resistance	10~55~10 Hz 0.75mm single amplitude	10~55~10 Hz 2.5mm single amplitude
Vibration malfunction	10~55~10 Hz 0.75mm single amplitude	10~55~10 Hz 1.65mm single amplitude
Shock resistance	1000 m/s <sup>2</sup>	1000 m/s <sup>2</sup>
Shock malfunction	500 m/s <sup>2</sup>	750 m/s <sup>2</sup>
Mechanical durability	1,000,000 operations min. (at 36,000 operations/hour)	50,000,000 operations min. (at 36,000 operations/hour)
Electrical durability	300,000 operations min. (30VAC 10 mA/30 VDC 10 mA) 100,000 operations min. (900 MHz 10 W) (at 1,800 operations/hour)	100,000 operations min. (at contact ratings) (at 1,800 operations/hour)
Ambient operating temperature	-40 to 70 °C	-40 to 70 °C
Ambient operating humidity	5% to 85%	5% to 85%
Weight	Approx. 2.8g	Approx. 0.95g

**Table 1. Discontinued Product - Model G6Z series**

**● High-frequency Characteristics \*1**

Item		Frequency		900MHz				2.6GHz			
				TH		SMD		TH		SMD	
		E-shape	Y-shape	E-shape	Y-shape	E-shape	Y-shape	E-shape	Y-shape		
Isolation	75 Ω	65 dB min.		60dB min.		35 dB min.	45 dB min.	30 dB min.	40 dB min.		
	50 Ω	60 dB min.									
Insertion loss (not including substrate loss)	75 Ω	0.2 dB max.				0.5 dB max.					
	50 Ω	0.1 dB max.				0.3 dB max.					
V.SWR	75 Ω	1.2 dB max.				1.5 dB max.					
	50 Ω	1.1 dB max.				1.3 dB max.					
Return loss	75 Ω	20.8 dB min.				14.0 dB min.					
	50 Ω	26.4 dB min.				17.7 dB min.					
Maximum carry power		10W *2									

Note. The above values are initial values.

- \*1. Contact your OMRON representative if the Relay will be used in applications that require high repeatability with high-frequency characteristics in microload regions.
- \*2. These values are for an impedance of 50 Ω or 75 Ω with a V.SWR of 1.2 max.

**Table 2. Suggested replacement Model G6K(U)-2F-RF(-S,-T)-[]**

**\*Surface mounting terminal & Characteristic impedance 50 Ohm only.**

**● High-frequency Characteristics \*1**

Item	Model Frequency	G6K(U)-2F-RF(-S, -T)	G6K(U)-2F-RF-T
		1GHz	3GHz
Isolation	Between contacts of the same polarity	20 dB min.	18 dB min.
	Between contacts of different polarity	30 dB min.	25 dB min.
Insertion loss		0.2 dB max.	0.6 dB max.
V.SWR		1.2 max.	1.4 max.
Maximum carry power		3W *2	
Maximum switching power		1W *2	

Note 1. The impedance of the measurement system is 50 Ω.

Note 2. The above values are initial values.

- \*1. Contact your OMRON representative if the Relay will be used in an application that requires high repeatability in high-frequency characteristics for the microload region. (Such applications include testing and measurement equipment and ATE applications.)
- \*2. These values are for a V.SWR of 1.2 max. at the load.

**Discontinued product and recommended replacement:**

Discontinued product	Suggested replacement
G6Z-1F-A DC3 BY OMZ	G6K-2F-RF DC3
	G6K-2F-RF-S DC3
	G6K-2F-RF-T DC3
G6Z-1F-A DC4.5 BY OMZ	G6K-2F-RF DC4.5
	G6K-2F-RF-S DC4.5
	G6K-2F-RF-T DC4.5
G6Z-1F-A DC5 BY OMZ	G6K-2F-RF DC5
	G6K-2F-RF-S DC5
	G6K-2F-RF-T DC5
G6Z-1F-A DC9 BY OMZ	G6K-2F-RF DC9
	G6K-2F-RF-S DC9
	G6K-2F-RF-T DC9
G6Z-1F-A DC12 BY OMZ	G6K-2F-RF DC12
	G6K-2F-RF-S DC12
	G6K-2F-RF-T DC12
G6Z-1F-A DC24 BY OMZ	G6K-2F-RF DC24
	G6K-2F-RF-S DC24
	G6K-2F-RF-T DC24
G6Z-1F-A DC4.5 BY OMZ/C	G6K-2F-RF DC4.5
	G6K-2F-RF-S DC4.5
	G6K-2F-RF-T DC4.5
G6Z-1F-A DC5 BY OMZ/C	G6K-2F-RF DC5
	G6K-2F-RF-S DC5
	G6K-2F-RF-T DC5
G6Z-1F-A DC9 BY OMZ/C	G6K-2F-RF DC9
	G6K-2F-RF-S DC9
	G6K-2F-RF-T DC9
G6Z-1F-A DC12 BY OMZ/C	G6K-2F-RF DC12
	G6K-2F-RF-S DC12
	G6K-2F-RF-T DC12
G6Z-1F-A DC24 BY OMZ/C	G6K-2F-RF DC24
	G6K-2F-RF-S DC24
	G6K-2F-RF-T DC24
G6Z-1F-A-TR DC3 BY OMZ	G6K-2F-RF-TR09 DC3
	G6K-2F-RF-S-TR09 DC3
	G6K-2F-RF-T-TR09 DC3
G6Z-1F-A-TR DC4.5 BY OMZ	G6K-2F-RF-TR09 DC4.5
	G6K-2F-RF-S-TR09 DC4.5
	G6K-2F-RF-T-TR09 DC4.5
G6Z-1F-A-TR DC5 BY OMZ	G6K-2F-RF-TR09 DC5
	G6K-2F-RF-S-TR09 DC5
	G6K-2F-RF-T-TR09 DC5
G6Z-1F-A-TR DC9 BY OMZ	G6K-2F-RF-TR09 DC9
	G6K-2F-RF-S-TR09 DC9
	G6K-2F-RF-T-TR09 DC9

Discontinued product	Suggested replacement
G6Z-1F-A-TR DC12 BY OMZ	G6K-2F-RF-TR09 DC12
	G6K-2F-RF-S-TR09 DC12
	G6K-2F-RF-T-TR09 DC12
G6Z-1F-A-TR DC24 BY OMZ	G6K-2F-RF-TR09 DC24
	G6K-2F-RF-S-TR09 DC24
	G6K-2F-RF-T-TR09 DC24
G6Z-1F-A-TR DC4.5 BY OMZ/C	G6K-2F-RF-TR09 DC4.5
	G6K-2F-RF-S-TR09 DC4.5
	G6K-2F-RF-T-TR09 DC4.5
G6Z-1F-A-TR DC12 BY OMZ/C	G6K-2F-RF-TR09 DC12
	G6K-2F-RF-S-TR09 DC12
	G6K-2F-RF-T-TR09 DC12
G6Z-1F-AR DC3 BY OMZ	G6K-2F-RF DC3
	G6K-2F-RF-S DC3
	G6K-2F-RF-T DC3
G6Z-1F-AR DC4.5 BY OMZ	G6K-2F-RF DC4.5
	G6K-2F-RF-S DC4.5
	G6K-2F-RF-T DC4.5
G6Z-1F-AR DC5 BY OMZ	G6K-2F-RF DC5
	G6K-2F-RF-S DC5
	G6K-2F-RF-T DC5
G6Z-1F-AR DC9 BY OMZ	G6K-2F-RF DC9
	G6K-2F-RF-S DC9
	G6K-2F-RF-T DC9
G6Z-1F-AR DC12 BY OMZ	G6K-2F-RF DC12
	G6K-2F-RF-S DC12
	G6K-2F-RF-T DC12
G6Z-1F-AR DC24 BY OMZ	G6K-2F-RF DC24
	G6K-2F-RF-S DC24
	G6K-2F-RF-T DC24
G6Z-1F-AR DC4.5 BY OMZ/C	G6K-2F-RF DC4.5
	G6K-2F-RF-S DC4.5
	G6K-2F-RF-T DC4.5
G6Z-1F-AR DC5 BY OMZ/C	G6K-2F-RF DC5
	G6K-2F-RF-S DC5
	G6K-2F-RF-T DC5
G6Z-1F-AR DC9 BY OMZ/C	G6K-2F-RF DC9
	G6K-2F-RF-S DC9
	G6K-2F-RF-T DC9
G6Z-1F-AR DC12 BY OMZ/C	G6K-2F-RF DC12
	G6K-2F-RF-S DC12
	G6K-2F-RF-T DC12
G6Z-1F-AR DC24 BY OMZ/C	G6K-2F-RF DC24
	G6K-2F-RF-S DC24
	G6K-2F-RF-T DC24
G6Z-1F-AR-TR DC3 BY OMZ	G6K-2F-RF-TR09 DC3
	G6K-2F-RF-S-TR09 DC3
	G6K-2F-RF-T-TR09 DC3



Discontinued product	Suggested replacement
G6Z-1F-AR-TR DC4.5 BY OMZ	G6K-2F-RF-TR09 DC4.5
	G6K-2F-RF-S-TR09 DC4.5
	G6K-2F-RF-T-TR09 DC4.5
G6Z-1F-AR-TR DC5 BY OMZ	G6K-2F-RF-TR09 DC5
	G6K-2F-RF-S-TR09 DC5
	G6K-2F-RF-T-TR09 DC5
G6Z-1F-AR-TR DC9 BY OMZ	G6K-2F-RF-TR09 DC9
	G6K-2F-RF-S-TR09 DC9
	G6K-2F-RF-T-TR09 DC9
G6Z-1F-AR-TR DC12 BY OMZ	G6K-2F-RF-TR09 DC12
	G6K-2F-RF-S-TR09 DC12
	G6K-2F-RF-T-TR09 DC12
G6Z-1F-AR-TR DC24 BY OMZ	G6K-2F-RF-TR09 DC24
	G6K-2F-RF-S-TR09 DC24
	G6K-2F-RF-T-TR09 DC24
G6Z-1F-AR-TR DC4.5 BY OMZ/C	G6K-2F-RF-TR09 DC4.5
	G6K-2F-RF-S-TR09 DC4.5
	G6K-2F-RF-T-TR09 DC4.5
G6Z-1F-AR-TR DC12 BY OMZ/C	G6K-2F-RF-TR09 DC12
	G6K-2F-RF-S-TR09 DC12
	G6K-2F-RF-T-TR09 DC12
G6Z-1FE-A DC3 BY OMZ	G6K-2F-RF DC3
	G6K-2F-RF-S DC3
	G6K-2F-RF-T DC3
G6Z-1FE-A DC4.5 BY OMZ	G6K-2F-RF DC4.5
	G6K-2F-RF-S DC4.5
	G6K-2F-RF-T DC4.5
G6Z-1FE-A DC5 BY OMZ	G6K-2F-RF DC5
	G6K-2F-RF-S DC5
	G6K-2F-RF-T DC5
G6Z-1FE-A DC9 BY OMZ	G6K-2F-RF DC9
	G6K-2F-RF-S DC9
	G6K-2F-RF-T DC9
G6Z-1FE-A DC12 BY OMZ	G6K-2F-RF DC12
	G6K-2F-RF-S DC12
	G6K-2F-RF-T DC12
G6Z-1FE-A DC24 BY OMZ	G6K-2F-RF DC24
	G6K-2F-RF-S DC24
	G6K-2F-RF-T DC24
G6Z-1FE-A DC3 BY OMZ/C	G6K-2F-RF DC3
	G6K-2F-RF-S DC3
	G6K-2F-RF-T DC3
G6Z-1FE-A DC4.5 BY OMZ/C	G6K-2F-RF DC4.5
	G6K-2F-RF-S DC4.5
	G6K-2F-RF-T DC4.5
G6Z-1FE-A DC5 BY OMZ/C	G6K-2F-RF DC5
	G6K-2F-RF-S DC5
	G6K-2F-RF-T DC5

Discontinued product	Suggested replacement
G6Z-1FE-A DC9 BY OMZ/C	G6K-2F-RF DC9
	G6K-2F-RF-S DC9
	G6K-2F-RF-T DC9
G6Z-1FE-A DC12 BY OMZ/C	G6K-2F-RF DC12
	G6K-2F-RF-S DC12
	G6K-2F-RF-T DC12
G6Z-1FE-A DC24 BY OMZ/C	G6K-2F-RF DC24
	G6K-2F-RF-S DC24
	G6K-2F-RF-T DC24
G6Z-1FE-A-TR DC3 BY OMZ	G6K-2F-RF-TR09 DC3
	G6K-2F-RF-S-TR09 DC3
	G6K-2F-RF-T-TR09 DC3
G6Z-1FE-A-TR DC4.5 BY OMZ	G6K-2F-RF-TR09 DC4.5
	G6K-2F-RF-S-TR09 DC4.5
	G6K-2F-RF-T-TR09 DC4.5
G6Z-1FE-A-TR DC5 BY OMZ	G6K-2F-RF-TR09 DC5
	G6K-2F-RF-S-TR09 DC5
	G6K-2F-RF-T-TR09 DC5
G6Z-1FE-A-TR DC9 BY OMZ	G6K-2F-RF-TR09 DC9
	G6K-2F-RF-S-TR09 DC9
	G6K-2F-RF-T-TR09 DC9
G6Z-1FE-A-TR DC12 BY OMZ	G6K-2F-RF-TR09 DC12
	G6K-2F-RF-S-TR09 DC12
	G6K-2F-RF-T-TR09 DC12
G6Z-1FE-A-TR DC24 BY OMZ	G6K-2F-RF-TR09 DC24
	G6K-2F-RF-S-TR09 DC24
	G6K-2F-RF-T-TR09 DC24
G6Z-1FE-A-TR DC24 BY OMZ/C	G6K-2F-RF-TR09 DC24
	G6K-2F-RF-S-TR09 DC24
	G6K-2F-RF-T-TR09 DC24
G6Z-1FE-AR DC3 BY OMZ	G6K-2F-RF DC3
	G6K-2F-RF-S DC3
	G6K-2F-RF-T DC3
G6Z-1FE-AR DC4.5 BY OMZ	G6K-2F-RF DC4.5
	G6K-2F-RF-S DC4.5
	G6K-2F-RF-T DC4.5
G6Z-1FE-AR DC5 BY OMZ	G6K-2F-RF DC5
	G6K-2F-RF-S DC5
	G6K-2F-RF-T DC5
G6Z-1FE-AR DC9 BY OMZ	G6K-2F-RF DC9
	G6K-2F-RF-S DC9
	G6K-2F-RF-T DC9
G6Z-1FE-AR DC12 BY OMZ	G6K-2F-RF DC12
	G6K-2F-RF-S DC12
	G6K-2F-RF-T DC12
G6Z-1FE-AR DC24 BY OMZ	G6K-2F-RF DC24
	G6K-2F-RF-S DC24
	G6K-2F-RF-T DC24

Discontinued product	Suggested replacement
G6Z-1FE-AR DC5 BY OMZ/C	G6K-2F-RF DC5
	G6K-2F-RF-S DC5
	G6K-2F-RF-T DC5
G6Z-1FE-AR-TR DC3 BY OMZ	G6K-2F-RF-TR09 DC3
	G6K-2F-RF-S-TR09 DC3
	G6K-2F-RF-T-TR09 DC3
G6Z-1FE-AR-TR DC4.5 BY OMZ	G6K-2F-RF-TR09 DC4.5
	G6K-2F-RF-S-TR09 DC4.5
	G6K-2F-RF-T-TR09 DC4.5
G6Z-1FE-AR-TR DC5 BY OMZ	G6K-2F-RF-TR09 DC5
	G6K-2F-RF-S-TR09 DC5
	G6K-2F-RF-T-TR09 DC5
G6Z-1FE-AR-TR DC9 BY OMZ	G6K-2F-RF-TR09 DC9
	G6K-2F-RF-S-TR09 DC9
	G6K-2F-RF-T-TR09 DC9
G6Z-1FE-AR-TR DC12 BY OMZ	G6K-2F-RF-TR09 DC12
	G6K-2F-RF-S-TR09 DC12
	G6K-2F-RF-T-TR09 DC12
G6Z-1FE-AR-TR DC24 BY OMZ	G6K-2F-RF-TR09 DC24
	G6K-2F-RF-S-TR09 DC24
	G6K-2F-RF-T-TR09 DC24
G6ZU-1F-A DC3 BY OMZ	G6KU-2F-RF DC3
	G6KU-2F-RF-S DC3
	G6KU-2F-RF-T DC3
G6ZU-1F-A DC4.5 BY OMZ	G6KU-2F-RF DC4.5
	G6KU-2F-RF-S DC4.5
	G6KU-2F-RF-T DC4.5
G6ZU-1F-A DC5 BY OMZ	G6KU-2F-RF DC5
	G6KU-2F-RF-S DC5
	G6KU-2F-RF-T DC5
G6ZU-1F-A DC9 BY OMZ	G6KU-2F-RF DC9
	G6KU-2F-RF-S DC9
	G6KU-2F-RF-T DC9
G6ZU-1F-A DC12 BY OMZ	G6KU-2F-RF DC12
	G6KU-2F-RF-S DC12
	G6KU-2F-RF-T DC12
G6ZU-1F-A DC24 BY OMZ	G6KU-2F-RF DC24
	G6KU-2F-RF-S DC24
	G6KU-2F-RF-T DC24
G6ZU-1F-A DC5 BY OMZ/C	G6KU-2F-RF DC5
	G6KU-2F-RF-S DC5
	G6KU-2F-RF-T DC5
G6ZU-1F-A DC12 BY OMZ/C	G6KU-2F-RF DC12
	G6KU-2F-RF-S DC12
	G6KU-2F-RF-T DC12
G6ZU-1F-A-TR DC3 BY OMZ	G6KU-2F-RF-TR09 DC3
	G6KU-2F-RF-S-TR09 DC3
	G6KU-2F-RF-T-TR09 DC3

Discontinued product	Suggested replacement
G6ZU-1F-A-TR DC4.5 BY OMZ	G6KU-2F-RF-TR09 DC4.5
	G6KU-2F-RF-S-TR09 DC4.5
	G6KU-2F-RF-T-TR09 DC4.5
G6ZU-1F-A-TR DC5 BY OMZ	G6KU-2F-RF-TR09 DC5
	G6KU-2F-RF-S-TR09 DC5
	G6KU-2F-RF-T-TR09 DC5
G6ZU-1F-A-TR DC9 BY OMZ	G6KU-2F-RF-TR09 DC9
	G6KU-2F-RF-S-TR09 DC9
	G6KU-2F-RF-T-TR09 DC9
G6ZU-1F-A-TR DC12 BY OMZ	G6KU-2F-RF-TR09 DC12
	G6KU-2F-RF-S-TR09 DC12
	G6KU-2F-RF-T-TR09 DC12
G6ZU-1F-A-TR DC24 BY OMZ	G6KU-2F-RF-TR09 DC24
	G6KU-2F-RF-S-TR09 DC24
	G6KU-2F-RF-T-TR09 DC24
G6ZU-1FE-A DC3 BY OMZ	G6KU-2F-RF DC3
	G6KU-2F-RF-S DC3
	G6KU-2F-RF-T DC3
G6ZU-1FE-A DC4.5 BY OMZ	G6KU-2F-RF DC4.5
	G6KU-2F-RF-S DC4.5
	G6KU-2F-RF-T DC4.5
G6ZU-1FE-A DC5 BY OMZ	G6KU-2F-RF DC5
	G6KU-2F-RF-S DC5
	G6KU-2F-RF-T DC5
G6ZU-1FE-A DC9 BY OMZ	G6KU-2F-RF DC9
	G6KU-2F-RF-S DC9
	G6KU-2F-RF-T DC9
G6ZU-1FE-A DC12 BY OMZ	G6KU-2F-RF DC12
	G6KU-2F-RF-S DC12
	G6KU-2F-RF-T DC12
G6ZU-1FE-A DC24 BY OMZ	G6KU-2F-RF DC24
	G6KU-2F-RF-S DC24
	G6KU-2F-RF-T DC24
G6ZU-1FE-A DC5 BY OMZ/C	G6KU-2F-RF DC5
	G6KU-2F-RF-S DC5
	G6KU-2F-RF-T DC5
G6ZU-1FE-A DC12 BY OMZ/C	G6KU-2F-RF DC12
	G6KU-2F-RF-S DC12
	G6KU-2F-RF-T DC12
G6ZU-1FE-A DC24 BY OMZ/C	G6KU-2F-RF DC24
	G6KU-2F-RF-S DC24
	G6KU-2F-RF-T DC24
G6ZU-1FE-A-TR DC3 BY OMZ	G6KU-2F-RF-TR09 DC3
	G6KU-2F-RF-S-TR09 DC3
	G6KU-2F-RF-T-TR09 DC3
G6ZU-1FE-A-TR DC4.5 BY OMZ	G6KU-2F-RF-TR09 DC4.5
	G6KU-2F-RF-S-TR09 DC4.5
	G6KU-2F-RF-T-TR09 DC4.5

Discontinued product	Suggested replacement
G6ZU-1FE-A-TR DC5 BY OMZ	G6KU-2F-RF-TR09 DC5
	G6KU-2F-RF-S-TR09 DC5
	G6KU-2F-RF-T-TR09 DC5
G6ZU-1FE-A-TR DC9 BY OMZ	G6KU-2F-RF-TR09 DC9
	G6KU-2F-RF-S-TR09 DC9
	G6KU-2F-RF-T-TR09 DC9
G6ZU-1FE-A-TR DC12 BY OMZ	G6KU-2F-RF-TR09 DC12
	G6KU-2F-RF-S-TR09 DC12
	G6KU-2F-RF-T-TR09 DC12
G6ZU-1FE-A-TR DC24 BY OMZ	G6KU-2F-RF-TR09 DC24
	G6KU-2F-RF-S-TR09 DC24
	G6KU-2F-RF-T-TR09 DC24
G6Z-1F DC3 BY OMZ	No recommended replacement
G6Z-1F DC4.5 BY OMZ	No recommended replacement
G6Z-1F DC5 BY OMZ	No recommended replacement
G6Z-1F DC9 BY OMZ	No recommended replacement
G6Z-1F DC12 BY OMZ	No recommended replacement
G6Z-1F DC24 BY OMZ	No recommended replacement
G6Z-1F DC3 BY OMZ/C	No recommended replacement
G6Z-1F DC5 BY OMZ/C	No recommended replacement
G6Z-1F DC9 BY OMZ/C	No recommended replacement
G6Z-1F DC12 BY OMZ/C	No recommended replacement
G6Z-1F-TR DC3 BY OMZ	No recommended replacement
G6Z-1F-TR DC4.5 BY OMZ	No recommended replacement
G6Z-1F-TR DC5 BY OMZ	No recommended replacement
G6Z-1F-TR DC9 BY OMZ	No recommended replacement
G6Z-1F-TR DC12 BY OMZ	No recommended replacement
G6Z-1F-TR DC24 BY OMZ	No recommended replacement
G6Z-1F-R DC3 BY OMZ	No recommended replacement
G6Z-1F-R DC4.5 BY OMZ	No recommended replacement
G6Z-1F-R DC5 BY OMZ	No recommended replacement
G6Z-1F-R DC9 BY OMZ	No recommended replacement
G6Z-1F-R DC12 BY OMZ	No recommended replacement
G6Z-1F-R DC24 BY OMZ	No recommended replacement
G6Z-1F-R-TR DC3 BY OMZ	No recommended replacement
G6Z-1F-R-TR DC4.5 BY OMZ	No recommended replacement
G6Z-1F-R-TR DC5 BY OMZ	No recommended replacement
G6Z-1F-R-TR DC9 BY OMZ	No recommended replacement
G6Z-1F-R-TR DC12 BY OMZ	No recommended replacement
G6Z-1F-R-TR DC24 BY OMZ	No recommended replacement
G6Z-1FE DC3 BY OMZ	No recommended replacement
G6Z-1FE DC4.5 BY OMZ	No recommended replacement
G6Z-1FE DC5 BY OMZ	No recommended replacement
G6Z-1FE DC9 BY OMZ	No recommended replacement
G6Z-1FE DC12 BY OMZ	No recommended replacement
G6Z-1FE DC24 BY OMZ	No recommended replacement
G6Z-1FE DC3 BY OMZ/C	No recommended replacement
G6Z-1FE DC5 BY OMZ/C	No recommended replacement

<b>Discontinued product</b>	<b>Suggested replacement</b>
G6Z-1FE DC9 BY OMZ/C	No recommended replacement
G6Z-1FE DC12 BY OMZ/C	No recommended replacement
G6Z-1FE DC24 BY OMZ/C	No recommended replacement
G6Z-1FE-TR DC3 BY OMZ	No recommended replacement
G6Z-1FE-TR DC4.5 BY OMZ	No recommended replacement
G6Z-1FE-TR DC5 BY OMZ	No recommended replacement
G6Z-1FE-TR DC9 BY OMZ	No recommended replacement
G6Z-1FE-TR DC12 BY OMZ	No recommended replacement
G6Z-1FE-TR DC24 BY OMZ	No recommended replacement
G6Z-1FE-R DC3 BY OMZ	No recommended replacement
G6Z-1FE-R DC4.5 BY OMZ	No recommended replacement
G6Z-1FE-R DC5 BY OMZ	No recommended replacement
G6Z-1FE-R DC9 BY OMZ	No recommended replacement
G6Z-1FE-R DC12 BY OMZ	No recommended replacement
G6Z-1FE-R DC24 BY OMZ	No recommended replacement
G6Z-1FE-R-TR DC3 BY OMZ	No recommended replacement
G6Z-1FE-R-TR DC4.5 BY OMZ	No recommended replacement
G6Z-1FE-R-TR DC5 BY OMZ	No recommended replacement
G6Z-1FE-R-TR DC9 BY OMZ	No recommended replacement
G6Z-1FE-R-TR DC12 BY OMZ	No recommended replacement
G6Z-1FE-R-TR DC24 BY OMZ	No recommended replacement
G6Z-1P DC3 BY OMZ	No recommended replacement
G6Z-1P DC4.5 BY OMZ	No recommended replacement
G6Z-1P DC5 BY OMZ	No recommended replacement
G6Z-1P DC9 BY OMZ	No recommended replacement
G6Z-1P DC12 BY OMZ	No recommended replacement
G6Z-1P DC24 BY OMZ	No recommended replacement
G6Z-1P DC5 BY OMZ/C	No recommended replacement
G6Z-1P DC9 BY OMZ/C	No recommended replacement
G6Z-1P DC12 BY OMZ/C	No recommended replacement
G6Z-1P DC24 BY OMZ/C	No recommended replacement
G6Z-1P-A DC3 BY OMZ	No recommended replacement
G6Z-1P-A DC4.5 BY OMZ	No recommended replacement
G6Z-1P-A DC5 BY OMZ	No recommended replacement
G6Z-1P-A DC9 BY OMZ	No recommended replacement
G6Z-1P-A DC12 BY OMZ	No recommended replacement
G6Z-1P-A DC24 BY OMZ	No recommended replacement
G6Z-1P-A DC4.5 BY OMZ/C	No recommended replacement
G6Z-1P-A DC5 BY OMZ/C	No recommended replacement
G6Z-1P-A DC9 BY OMZ/C	No recommended replacement
G6Z-1P-A DC12 BY OMZ/C	No recommended replacement
G6Z-1P-A DC24 BY OMZ/C	No recommended replacement
G6Z-1P-R DC3 BY OMZ	No recommended replacement
G6Z-1P-R DC4.5 BY OMZ	No recommended replacement
G6Z-1P-R DC5 BY OMZ	No recommended replacement
G6Z-1P-R DC9 BY OMZ	No recommended replacement
G6Z-1P-R DC12 BY OMZ	No recommended replacement
G6Z-1P-R DC24 BY OMZ	No recommended replacement

Discontinued product	Suggested replacement
G6Z-1P-R DC24 BY OMZ/C	No recommended replacement
G6Z-1P-AR DC3 BY OMZ	No recommended replacement
G6Z-1P-AR DC4.5 BY OMZ	No recommended replacement
G6Z-1P-AR DC5 BY OMZ	No recommended replacement
G6Z-1P-AR DC9 BY OMZ	No recommended replacement
G6Z-1P-AR DC12 BY OMZ	No recommended replacement
G6Z-1P-AR DC24 BY OMZ	No recommended replacement
G6Z-1P-AR DC4.5 BY OMZ/C	No recommended replacement
G6Z-1P-AR DC5 BY OMZ/C	No recommended replacement
G6Z-1P-AR DC9 BY OMZ/C	No recommended replacement
G6Z-1P-AR DC12 BY OMZ/C	No recommended replacement
G6Z-1P-AR DC24 BY OMZ/C	No recommended replacement
G6Z-1PE DC3 BY OMZ	No recommended replacement
G6Z-1PE DC4.5 BY OMZ	No recommended replacement
G6Z-1PE DC5 BY OMZ	No recommended replacement
G6Z-1PE DC9 BY OMZ	No recommended replacement
G6Z-1PE DC12 BY OMZ	No recommended replacement
G6Z-1PE DC24 BY OMZ	No recommended replacement
G6Z-1PE DC5 BY OMZ/C	No recommended replacement
G6Z-1PE DC9 BY OMZ/C	No recommended replacement
G6Z-1PE DC12 BY OMZ/C	No recommended replacement
G6Z-1PE DC24 BY OMZ/C	No recommended replacement
G6Z-1PE DC12 BY OMZ/D	No recommended replacement
G6Z-1PE-A DC3 BY OMZ	No recommended replacement
G6Z-1PE-A DC4.5 BY OMZ	No recommended replacement
G6Z-1PE-A DC5 BY OMZ	No recommended replacement
G6Z-1PE-A DC9 BY OMZ	No recommended replacement
G6Z-1PE-A DC12 BY OMZ	No recommended replacement
G6Z-1PE-A DC24 BY OMZ	No recommended replacement
G6Z-1PE-A DC3 BY OMZ/C	No recommended replacement
G6Z-1PE-A DC5 BY OMZ/C	No recommended replacement
G6Z-1PE-A DC12 BY OMZ/C	No recommended replacement
G6Z-1PE-A DC24 BY OMZ/C	No recommended replacement
G6Z-1PE-R DC3 BY OMZ	No recommended replacement
G6Z-1PE-R DC4.5 BY OMZ	No recommended replacement
G6Z-1PE-R DC5 BY OMZ	No recommended replacement
G6Z-1PE-R DC9 BY OMZ	No recommended replacement
G6Z-1PE-R DC12 BY OMZ	No recommended replacement
G6Z-1PE-R DC24 BY OMZ	No recommended replacement
G6Z-1PE-AR DC3 BY OMZ	No recommended replacement
G6Z-1PE-AR DC4.5 BY OMZ	No recommended replacement
G6Z-1PE-AR DC5 BY OMZ	No recommended replacement
G6Z-1PE-AR DC9 BY OMZ	No recommended replacement
G6Z-1PE-AR DC12 BY OMZ	No recommended replacement
G6Z-1PE-AR DC24 BY OMZ	No recommended replacement
G6Z-1PE-AR DC12 BY OMZ/C	No recommended replacement
G6ZU-1F DC3 BY OMZ	No recommended replacement
G6ZU-1F DC4.5 BY OMZ	No recommended replacement

<b>Discontinued product</b>	<b>Suggested replacement</b>
G6ZU-1F DC5 BY OMZ	No recommended replacement
G6ZU-1F DC9 BY OMZ	No recommended replacement
G6ZU-1F DC12 BY OMZ	No recommended replacement
G6ZU-1F DC24 BY OMZ	No recommended replacement
G6ZU-1F DC5 BY OMZ/C	No recommended replacement
G6ZU-1F DC12 BY OMZ/C	No recommended replacement
G6ZU-1F-TR DC9 BY OMZ	No recommended replacement
G6ZU-1F-TR DC5 BY OMZ	No recommended replacement
G6ZU-1F-TR DC4.5 BY OMZ	No recommended replacement
G6ZU-1F-TR DC3 BY OMZ	No recommended replacement
G6ZU-1F-TR DC24 BY OMZ	No recommended replacement
G6ZU-1F-TR DC12 BY OMZ	No recommended replacement
G6ZU-1F-TR DC5 BY OMZ/C	No recommended replacement
G6ZU-1FE DC3 BY OMZ	No recommended replacement
G6ZU-1FE DC4.5 BY OMZ	No recommended replacement
G6ZU-1FE DC5 BY OMZ	No recommended replacement
G6ZU-1FE DC9 BY OMZ	No recommended replacement
G6ZU-1FE DC12 BY OMZ	No recommended replacement
G6ZU-1FE DC24 BY OMZ	No recommended replacement
G6ZU-1FE DC5 BY OMZ/C	No recommended replacement
G6ZU-1FE DC12 BY OMZ/C	No recommended replacement
G6ZU-1FE-TR DC9 BY OMZ	No recommended replacement
G6ZU-1FE-TR DC5 BY OMZ	No recommended replacement
G6ZU-1FE-TR DC4.5 BY OMZ	No recommended replacement
G6ZU-1FE-TR DC3 BY OMZ	No recommended replacement
G6ZU-1FE-TR DC24 BY OMZ	No recommended replacement
G6ZU-1FE-TR DC12 BY OMZ	No recommended replacement
G6ZU-1P DC9 BY OMZ	No recommended replacement
G6ZU-1P DC5 BY OMZ	No recommended replacement
G6ZU-1P DC4.5 BY OMZ	No recommended replacement
G6ZU-1P DC3 BY OMZ	No recommended replacement
G6ZU-1P DC24 BY OMZ	No recommended replacement
G6ZU-1P DC12 BY OMZ	No recommended replacement
G6ZU-1P DC5 BY OMZ/C	No recommended replacement
G6ZU-1P DC12 BY OMZ/C	No recommended replacement
G6ZU-1P-A DC9 BY OMZ	No recommended replacement
G6ZU-1P-A DC5 BY OMZ	No recommended replacement
G6ZU-1P-A DC4.5 BY OMZ	No recommended replacement
G6ZU-1P-A DC3 BY OMZ	No recommended replacement
G6ZU-1P-A DC24 BY OMZ	No recommended replacement
G6ZU-1P-A DC12 BY OMZ	No recommended replacement
G6ZU-1P-A DC5 BY OMZ/C	No recommended replacement
G6ZU-1P-A DC12 BY OMZ/C	No recommended replacement
G6ZU-1PE DC9 BY OMZ	No recommended replacement
G6ZU-1PE DC5 BY OMZ	No recommended replacement
G6ZU-1PE DC4.5 BY OMZ	No recommended replacement
G6ZU-1PE DC3 BY OMZ	No recommended replacement
G6ZU-1PE DC24 BY OMZ	No recommended replacement



Discontinued product	Suggested replacement
G6ZU-1PE DC12 BY OMZ	No recommended replacement
G6ZU-1PE DC5 BY OMZ/C	No recommended replacement
G6ZU-1PE DC12 BY OMZ/C	No recommended replacement
G6ZU-1PE-A DC9 BY OMZ	No recommended replacement
G6ZU-1PE-A DC5 BY OMZ	No recommended replacement
G6ZU-1PE-A DC4.5 BY OMZ	No recommended replacement
G6ZU-1PE-A DC3 BY OMZ	No recommended replacement
G6ZU-1PE-A DC24 BY OMZ	No recommended replacement
G6ZU-1PE-A DC12 BY OMZ	No recommended replacement
G6ZU-1PE-A DC5 BY OMZ/C	No recommended replacement
G6ZU-1PE-A DC12 BY OMZ/C	No recommended replacement
G6ZK-1F DC3 BY OMZ	No recommended replacement
G6ZK-1F DC4.5 BY OMZ	No recommended replacement
G6ZK-1F DC5 BY OMZ	No recommended replacement
G6ZK-1F DC9 BY OMZ	No recommended replacement
G6ZK-1F DC12 BY OMZ	No recommended replacement
G6ZK-1F DC24 BY OMZ	No recommended replacement
G6ZK-1F DC5 BY OMZ/C	No recommended replacement
G6ZK-1F DC12 BY OMZ/C	No recommended replacement
G6ZK-1F-TR DC3 BY OMZ	No recommended replacement
G6ZK-1F-TR DC4.5 BY OMZ	No recommended replacement
G6ZK-1F-TR DC5 BY OMZ	No recommended replacement
G6ZK-1F-TR DC9 BY OMZ	No recommended replacement
G6ZK-1F-TR DC12 BY OMZ	No recommended replacement
G6ZK-1F-TR DC24 BY OMZ	No recommended replacement
G6ZK-1F-A DC3 BY OMZ	No recommended replacement
G6ZK-1F-A DC4.5 BY OMZ	No recommended replacement
G6ZK-1F-A DC5 BY OMZ	No recommended replacement
G6ZK-1F-A DC9 BY OMZ	No recommended replacement
G6ZK-1F-A DC12 BY OMZ	No recommended replacement
G6ZK-1F-A DC24 BY OMZ	No recommended replacement
G6ZK-1F-A DC4.5 BY OMZ/C	No recommended replacement
G6ZK-1F-A DC5 BY OMZ/C	No recommended replacement
G6ZK-1F-A DC12 BY OMZ/C	No recommended replacement
G6ZK-1F-A DC24 BY OMZ/C	No recommended replacement
G6ZK-1F-A-TR DC3 BY OMZ	No recommended replacement
G6ZK-1F-A-TR DC4.5 BY OMZ	No recommended replacement
G6ZK-1F-A-TR DC5 BY OMZ	No recommended replacement
G6ZK-1F-A-TR DC9 BY OMZ	No recommended replacement
G6ZK-1F-A-TR DC12 BY OMZ	No recommended replacement
G6ZK-1F-A-TR DC24 BY OMZ	No recommended replacement
G6ZK-1FE DC3 BY OMZ	No recommended replacement
G6ZK-1FE DC4.5 BY OMZ	No recommended replacement
G6ZK-1FE DC5 BY OMZ	No recommended replacement
G6ZK-1FE DC9 BY OMZ	No recommended replacement
G6ZK-1FE DC12 BY OMZ	No recommended replacement
G6ZK-1FE DC24 BY OMZ	No recommended replacement
G6ZK-1FE DC5 BY OMZ/C	No recommended replacement

<b>Discontinued product</b>	<b>Suggested replacement</b>
G6ZK-1FE DC12 BY OMZ/C	No recommended replacement
G6ZK-1FE-TR DC3 BY OMZ	No recommended replacement
G6ZK-1FE-TR DC4.5 BY OMZ	No recommended replacement
G6ZK-1FE-TR DC5 BY OMZ	No recommended replacement
G6ZK-1FE-TR DC9 BY OMZ	No recommended replacement
G6ZK-1FE-TR DC12 BY OMZ	No recommended replacement
G6ZK-1FE-TR DC24 BY OMZ	No recommended replacement
G6ZK-1FE-A DC3 BY OMZ	No recommended replacement
G6ZK-1FE-A DC4.5 BY OMZ	No recommended replacement
G6ZK-1FE-A DC5 BY OMZ	No recommended replacement
G6ZK-1FE-A DC9 BY OMZ	No recommended replacement
G6ZK-1FE-A DC12 BY OMZ	No recommended replacement
G6ZK-1FE-A DC24 BY OMZ	No recommended replacement
G6ZK-1FE-A DC5 BY OMZ/C	No recommended replacement
G6ZK-1FE-A DC12 BY OMZ/C	No recommended replacement
G6ZK-1FE-A-TR DC9 BY OMZ	No recommended replacement
G6ZK-1FE-A-TR DC3 BY OMZ	No recommended replacement
G6ZK-1FE-A-TR DC4.5 BY OMZ	No recommended replacement
G6ZK-1FE-A-TR DC5 BY OMZ	No recommended replacement
G6ZK-1FE-A-TR DC12 BY OMZ	No recommended replacement
G6ZK-1FE-A-TR DC24 BY OMZ	No recommended replacement
G6ZK-1P DC3 BY OMZ	No recommended replacement
G6ZK-1P DC4.5 BY OMZ	No recommended replacement
G6ZK-1P DC5 BY OMZ	No recommended replacement
G6ZK-1P DC9 BY OMZ	No recommended replacement
G6ZK-1P DC12 BY OMZ	No recommended replacement
G6ZK-1P DC24 BY OMZ	No recommended replacement
G6ZK-1P DC5 BY OMZ/C	No recommended replacement
G6ZK-1P DC12 BY OMZ/C	No recommended replacement
G6ZK-1P-A DC3 BY OMZ	No recommended replacement
G6ZK-1P-A DC4.5 BY OMZ	No recommended replacement
G6ZK-1P-A DC5 BY OMZ	No recommended replacement
G6ZK-1P-A DC9 BY OMZ	No recommended replacement
G6ZK-1P-A DC12 BY OMZ	No recommended replacement
G6ZK-1P-A DC24 BY OMZ	No recommended replacement
G6ZK-1P-A DC12 BY OMZ/C	No recommended replacement
G6ZK-1PE DC24 BY OMZ	No recommended replacement
G6ZK-1PE DC3 BY OMZ	No recommended replacement
G6ZK-1PE DC4.5 BY OMZ	No recommended replacement
G6ZK-1PE DC5 BY OMZ	No recommended replacement
G6ZK-1PE DC9 BY OMZ	No recommended replacement
G6ZK-1PE DC12 BY OMZ	No recommended replacement
G6ZK-1PE DC5 BY OMZ/C	No recommended replacement
G6ZK-1PE DC12 BY OMZ/C	No recommended replacement
G6ZK-1PE-A DC3 BY OMZ	No recommended replacement
G6ZK-1PE-A DC4.5 BY OMZ	No recommended replacement
G6ZK-1PE-A DC5 BY OMZ	No recommended replacement
G6ZK-1PE-A DC9 BY OMZ	No recommended replacement