

SK Series

High-Precision Regulated HV DC to DC Converter

Miniature Size (1.75”L x 1.10”W x 0.50”H)

**Easy to Use, No External Components
Required**

Excellent Load and Line Regulation

Extremely Low Quiescent Current

Miniature PC Board Mountable Package

Low Ripple and EMI/RFI

**High Impedance Programming Input
(>75kΩ)**

**Wide Operating Temp Range (-40°C to
+60°C)**

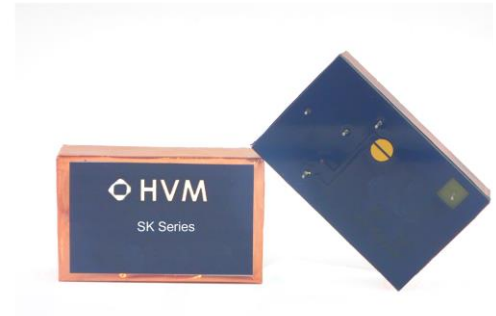


Mechanical Characteristics

- **Weight:** 23 grams typical
- **Packaging:** Encapsulated in high performance epoxy
- **Shield Material:** Copper Adhesive

Environmental Characteristics

- **Operating Temp Range:** -40°C to +60°C
- **Storage Temp Range:** -55°C to +85°C



Description

The **SK Series** is a family of miniature single-output, fully regulated DC to DC converters supplying 3kV to 5kV @1W in 0.9625 cubic inches (1.75”L x 1.10”W x 0.50”H). These ultra-compact converters are ideal for applications requiring small size and ease of use. A high impedance programming input makes it very easy to use, eliminating the need for a low impedance adjustable power source voltage.

HVM’s proprietary, ultra-compact resonant converter design minimizes quiescent current and operating noise while delivering maximum performance and reliability. The **SK Series** is sold with a factory installed copper adhesive shield for further noise reduction.

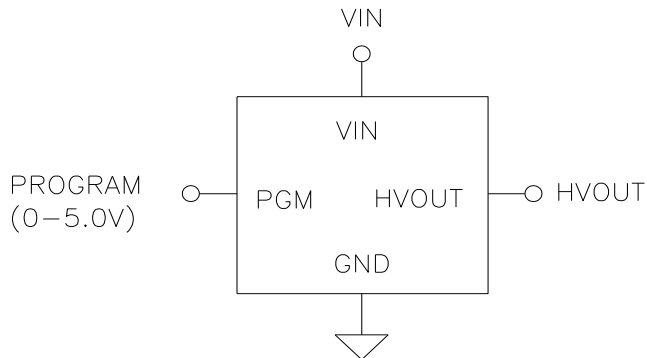
The devices operate directly from 5VDC or 12VDC \pm 0.5VDC input. Output voltage is independent of input power voltage and is proportional to the programming voltage (0 to 5V produces 0 to full scale output) and features excellent linearity. Adjustment pads are available to calibrate the unit to \pm 5% outside of factory settings. The output power rating is 1W. The **SK Series** is very stable over a wide operating temperature range.

The **SK Series** is available with alternate output voltages. Consult sales for additional information.



www.hvmtech.com

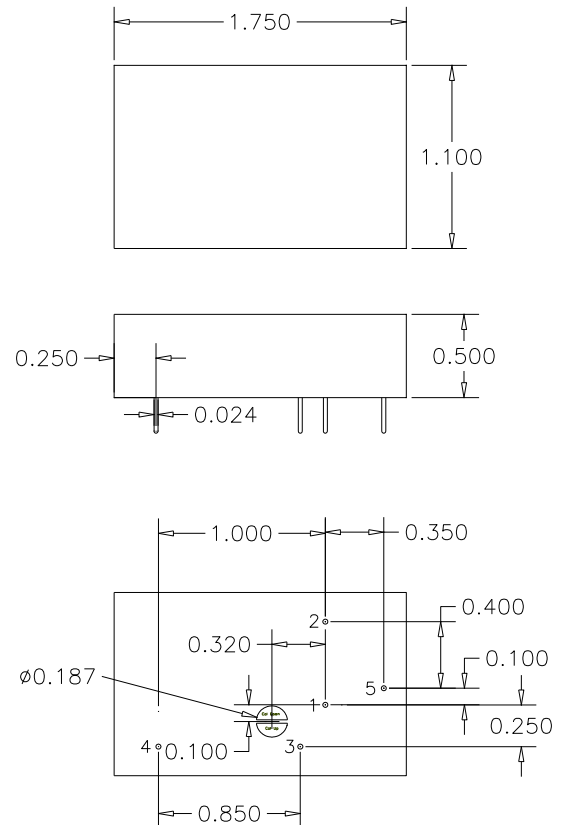
APPLICATION SCHEMATIC



ELECTRICAL CHARACTERISTICS

Input Voltage (VIN)	5V or 12V \pm 0.5V
Programming Voltage:	0 to 5V (produces 0 to rated output)
Programming Input Impedance:	>10k Ω
Output Tolerance at No Load:	\pm 5%
Oscillator Frequency:	50kHz to 100kHz
Load Regulation:	<0.5%
Line Regulation:	0.01%
Output Ripple at Full Load:	<1%
Calibration Adjustment:	Cal Up and Cal Down pads are active when attached to GND. \pm 5% voltage adjustment typical.
Efficiency:	60% typical at full load

DIMENSIONS



PIN #	FUNCTION
1	VIN
2	GND
3	PROGRAM
4	HVOUT
5	CASE GND

HVM TECHNOLOGY, INC., 360 McKenna Ave, New Braunfels, TX 78130
 Tel: (830) 626-5552 / www.hvmtech.com / email: sales@hvmtech.com



www.hvmtech.com

Model Selection Guide

MODEL	Input Voltage	Output Voltage	MAX Output Current	Input Current No Load	Input Current Max Load
SK0530	5V	0 to +3kV	333 μ A	<35mA	<350mA
SK0530N	5V	0 to -3kV	333 μ A	<35mA	<350mA
SK0540	5V	0 to +4kV	250 μ A	<35mA	<350mA
SK0540N	5V	0 to -4kV	250 μ A	<35mA	<350mA
SK0550	5V	0 to +5kV	200 μ A	<35mA	<350mA
SK0550N	5V	0 to -5kV	200 μ A	<35mA	<350mA
SK1230	12V	0 to +3kV	333 μ A	<35mA	<350mA
SK1230N	12V	0 to -3kV	333 μ A	<35mA	<350mA
SK1240	12V	0 to +4kV	250 μ A	<35mA	<350mA
SK1240N	12V	0 to -4kV	250 μ A	<35mA	<350mA
SK1250	12V	0 to +5kV	200 μ A	<35mA	<350mA
SK1250N	12V	0 to -5kV	200 μ A	<35mA	<350mA

HVM TECHNOLOGY, INC., 360 McKenna Ave, New Braunfels, TX 78130
Tel: (830) 626-5552 / www.hvmtech.com / email: sales@hvmtech.com