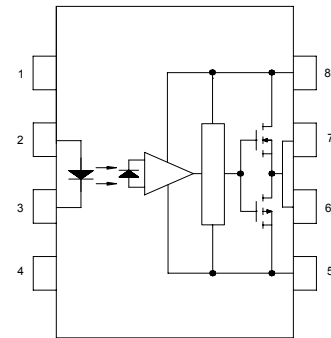


● Description

The KTLP250 series consists of an GaAlAs Light emitter diode and an integrated. This unit is 8-lead DIP package. KTLP250 series is suitable for gate driving circuit of IGBT or power MOSFET.

● Schematic



- | | |
|------------|------------------------|
| 1. N.C. | 5. GND |
| 2. Anode | 6. Vo (Voltage Output) |
| 3. Cathode | 7. Vo (Voltage Output) |
| 4. N.C. | 8. Vcc |

● Features

1. This unit is 8.lead DIP package.
2. Input threshold current: $I_F=5\text{mA}$ (max.)
3. Supply current (I_{CC}): 11mA (max.)
4. Supply voltage (V_{CC}): 10 – 35V
5. Output current (IO): $\pm 1.5\text{A}$ (max.)
6. Switching time (t_{pLH}/t_{pHL}): 0.5 μs (max.)
7. Isolation voltage: 5000Vrms (max.)
8. MSL class 1
9. Agency Approvals:
 - UL Approved (No. E169586): UL1577
 - c-UL Approved (No. E169586)
 - VDE Approved (No. 40020973): DIN EN60747-5-5

● Applications

- Transistor inverter
- Inverter For air conditioner
- IGBT gate drive
- Power MOSFET gate drive

● Truth Table

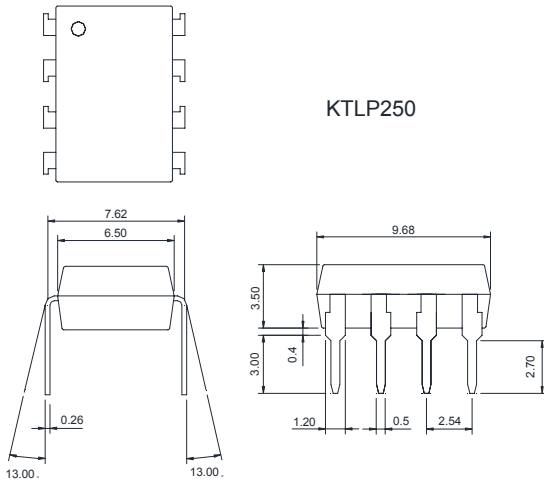
LED	OUTPUT	Q1	Q2
ON	HIGH LEVEL	ON	OFF
OFF	LOW LEVEL	OFF	ON

* The use of a 0.1 μF bypass capacitor must be connected between pins 8 and 5 is recommended.

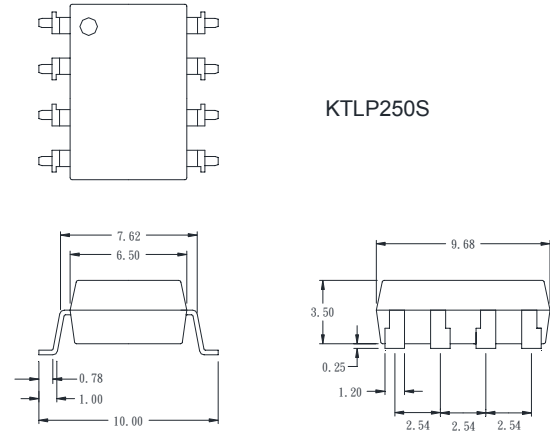
● **Outside Dimension**

Unit : mm

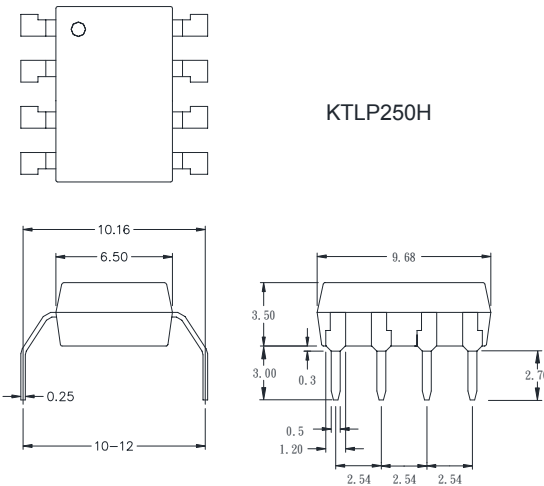
1. Dual-in-line type



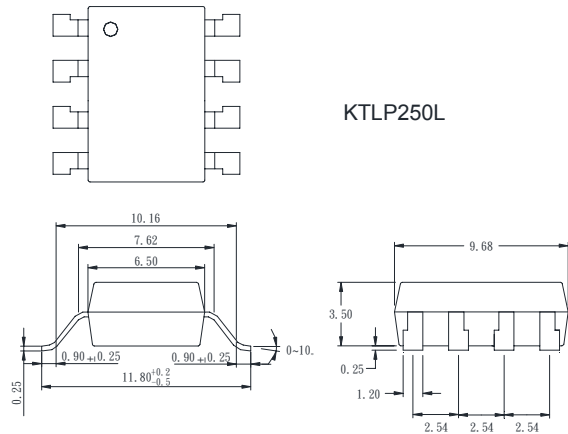
2. Surface mount type



3. Long creepage distance type

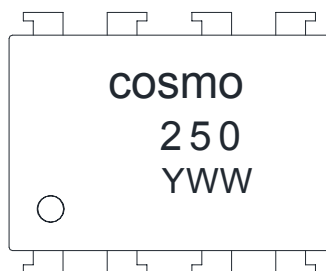


4. Long creepage distance for surface mount type



TOLERANCE: ± 0.2 mm

● **Device Marking**



Notes:

cosmo
250
YWW Y: Year code / WW: Week code

● Absolute Maximum Ratings

(Ta = 25°C)

Parameter		Symbol	Rating	Unit	
Input	Forward current	I_F	20	mA	
	Forward current derating (Ta ≥ 70°C)	$\Delta I_F / \Delta Ta$	-0.36	mA / °C	
	Peak transient forward current (*Note 1)	I_{FPT}	1	A	
	Reverse voltage	V_R	5	V	
	Junction temperature	T_j	125	°C	
Output	“H” peak output current(Pw ≤ 2.5μs, f ≤ 15kHz) (*Note 2)		I_{OPH}	-1.5	A
	“L” peak output current(Pw ≤ 2.5μs, f ≤ 15kHz) (*Note 2)		I_{OPL}	+1.5	A
	Output voltage	(Ta ≤ 70°C)	V_O	35	V
		(Ta = 85°C)		24	
	Supply voltage	(Ta ≤ 70°C)	V_{CC}	35	V
		(Ta = 85°C)		24	
	Output voltage derating (Ta ≥ 70°C)		$\Delta V_O / \Delta Ta$	-0.73	V / °C
	Supply voltage derating (Ta ≥ 70°C)		$\Delta V_{CC} / \Delta Ta$	-0.73	V / °C
Junction temperature		T_j	125	°C	
Operating frequency (*Note 3)		f	25	KhZ	
Operating temperature range		Topr	-40~115	°C	
Storage temperature range		Tstg	-55~125	°C	
Lead soldering temperature(10s) (*Note 4)		Tsol	260	°C	
Isolation voltage (AC, 1min., R.H ≤ 60%) (*Note 5)		BVs	5000	Vrms	

*Note1: Pulse width $Pw \leq 1 \mu s, 300pps$.

*Note2: Exponential waveform.

*Note3: Exponential waveform, $I_{OPH} \leq -1.0A (\leq 2.5 \mu s), I_{OPL} \leq +1.0A (\leq 2.5 \mu s)$.

*Note4: It is 2 mm or more from a lead root.

*Note5: Device is considered as a two terminal device: Pin1,2,3 and 4 shorted together, and pins 5,6,7 and 8 shorted together.

● Electrical Characteristics

(Ta = 25°C)

Parameter	Symbol	Test Circuit	Test Condition	Min.	Typ.	Max.	Unit		
Input forward voltage	V_F	—	$I_F=10mA, Ta=25^\circ C$	—	1.6	1.8	V		
Temperature coefficient of forward voltage	$\Delta V_F / \Delta Ta$	—	$I_F=10mA$	—	-2.0	—	mV / °C		
Input reverse current	I_R	—	$V_R=5V, Ta=25^\circ C$	—	—	10	μA		
Input capacitance	C_T	—	$V=0, f=1MHz, Ta=25^\circ C$	—	45	250	pF		
Output current	“H” level	I_{OPH}	3	$V_{CC}=30V$ (*A)	$I_F=10mA$ $V_b=4V$	-0.5	-1.5	—	A

	"L" level	I_{OPL}	2	$I_F=0$ $V_a=2.5V$	0.5	2	—	
Output voltage	"H" level	V_{OH}	4	$V_{CC1}=15V, V_{EE1}=-15V$ $R_L=200\Omega, I_F=5mA$	11	12.8	—	V
	"L" level	V_{OL}	5	$V_{CC1}=15V, V_{EE1}=-15V$ $R_L=200\Omega, V_F=0.8V$	—	-14.2	-12.5	
Supply current	"H" level	I_{CCH}	—	$V_{CC}=30V, I_F=10mA,$ $T_a=25^\circ C$	—	7	—	mA
				$V_{CC}=30V, I_F=10mA$	—	—	11	
	"L" level	I_{CCL}	—	$V_{CC}=30V, I_F=0mA,$ $T_a=25^\circ C$	—	7.5	—	
				$V_{CC}=30V, I_F=0mA$	—	—	11	
Threshold input current	"Output L→H"	I_{FLH}	—	$V_{CC1}=15V, V_{EE1}=-15V,$ $R_L=200\Omega, V_O>0V$	—	1.2	5	mA
Threshold input voltage	"Output H→L"	V_{FHL}	—	$V_{CC1}=15V, V_{EE1}=-15V,$ $R_L=200\Omega, V_O<0V$	0.8	—	—	V
Supply voltage		V_{CC}	—		10	—	35	V
Capacitance (input-output)		C_S	—	$V_s=0, f=1MHz, T_a=25^\circ C$	—	1.0	2.0	pF
Resistance (input-output)		R_S	—	$V_s=500V, T_a=25^\circ C,$ $R.H. \leq 60\%$	1×10^{12}	10^{14}	—	Ω

* All typical values are at $T_a=25^\circ C$ (*A): Duration of I_O time $\leq 50\mu s$

● Switching Characteristics

($T_a = 25^\circ C$)

Parameter	Symbol	Test Circuit	Test Condition	Min.	Typ.	Max.	Unit
Propagation delay time	"L→H"	6	$I_F=8mA$ (Note8) $V_{CC1}=+15V, V_{EE1}=-15V$ $R_g=20\Omega, C_g=10nF$	—	0.15	0.5	μs
	"H→L"			—	0.15	0.5	
Output rise time	t_r			—	—	—	
Output fall time	t_f			—	—	—	
Common mode transient immunity at high level output	C_{MH}	7	$V_{CM}=600V, I_F=8mA$ $V_{CC}=30V, T_a=25^\circ C$	-5	—	—	KV / μs
Common mode transient immunity at low level output	C_{ML}	7	$V_{CM}=600V, I_F=0$ $V_{CC}=30V, T_a=25^\circ C$	5	—	—	KV / μs

* All typical values are at $T_a=25^\circ C$.

*Note 8: Input signal rise time (fall time) $< 0.5\mu s$.

Fig.1 Forward Current vs. Forward Voltage

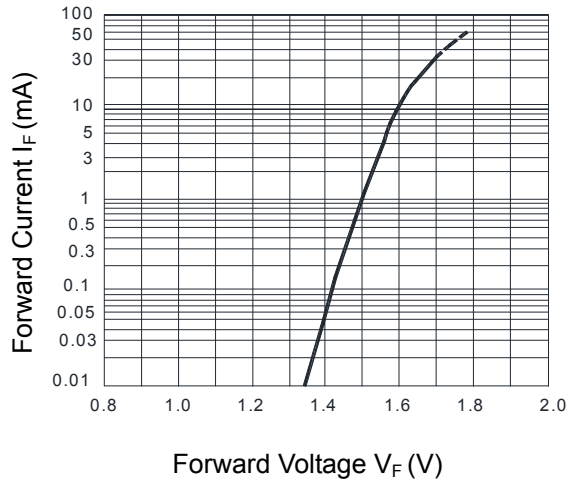


Fig.2 Forward Voltage Temperature Coefficient V_F / T_a vs. Forward Current

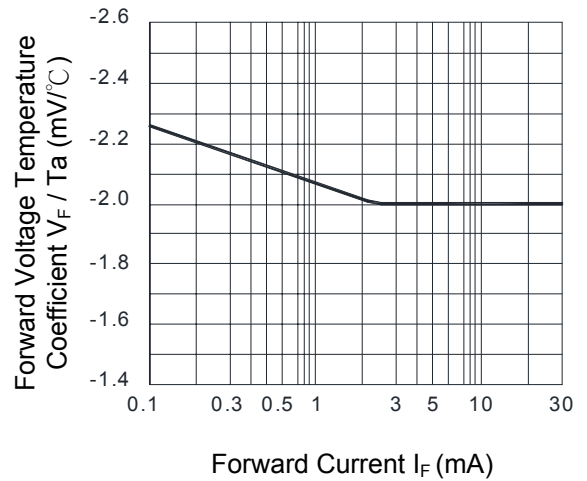


Fig.3 Allowable Peak Output Current vs. Ambient Temperature

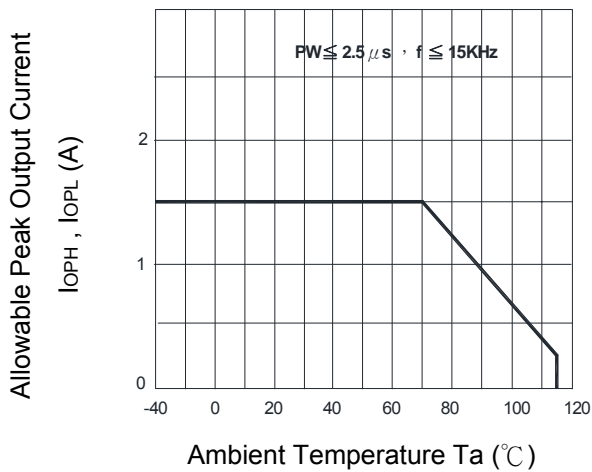


Fig.4 Allowable Forward Current vs. Ambient Temperature

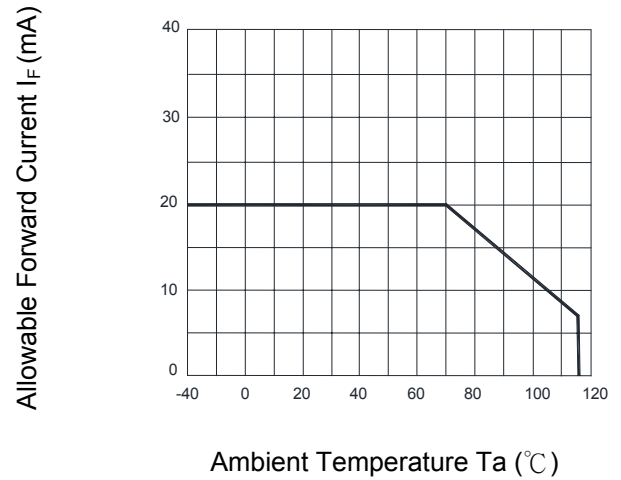
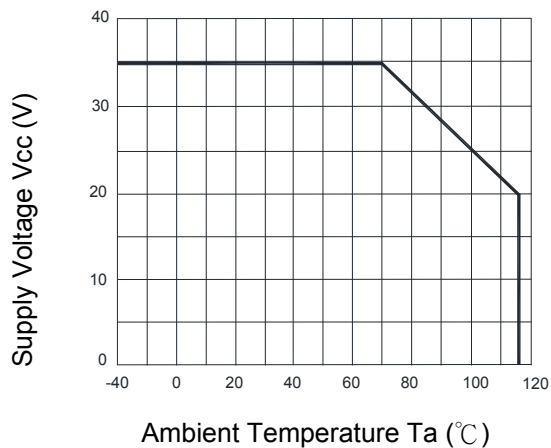
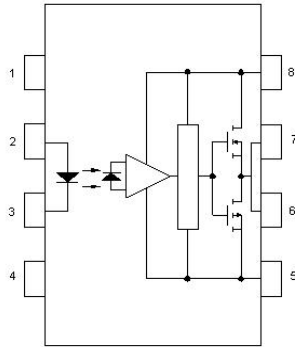


Fig.5 Supply Voltage vs. Ambient Temperature

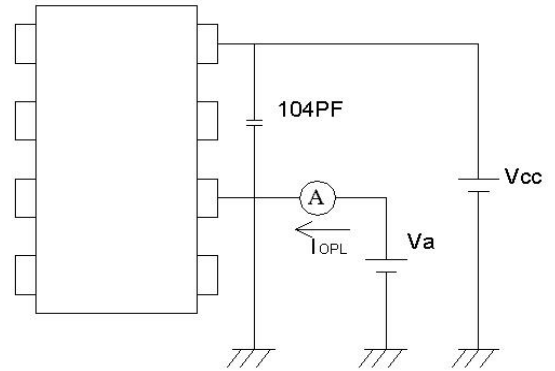


● **Test Circuit**

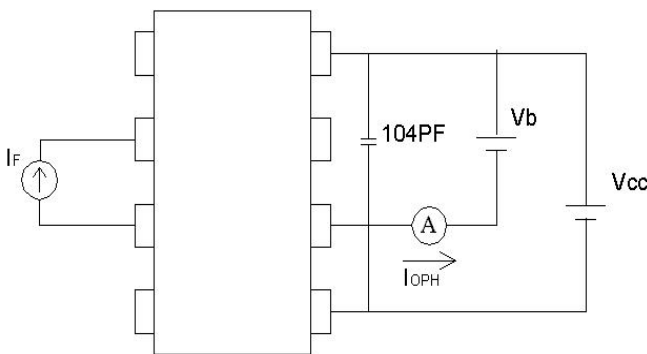
1. Top View



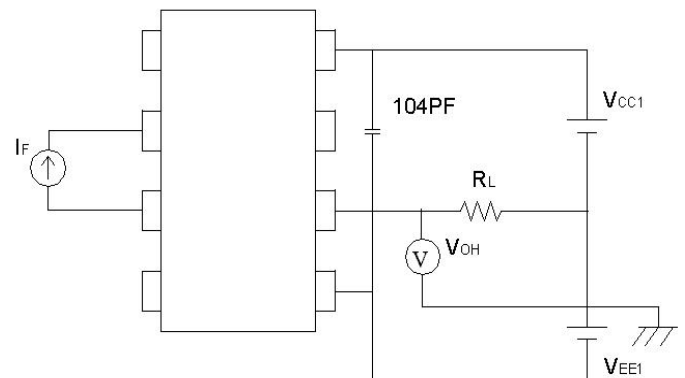
2. I_{OPL} Measure



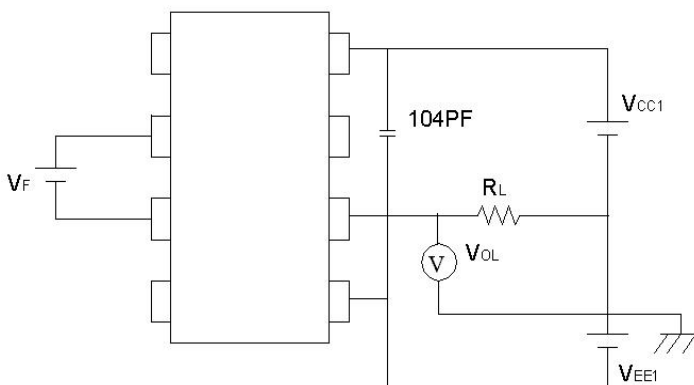
3. I_{OPH} Measure



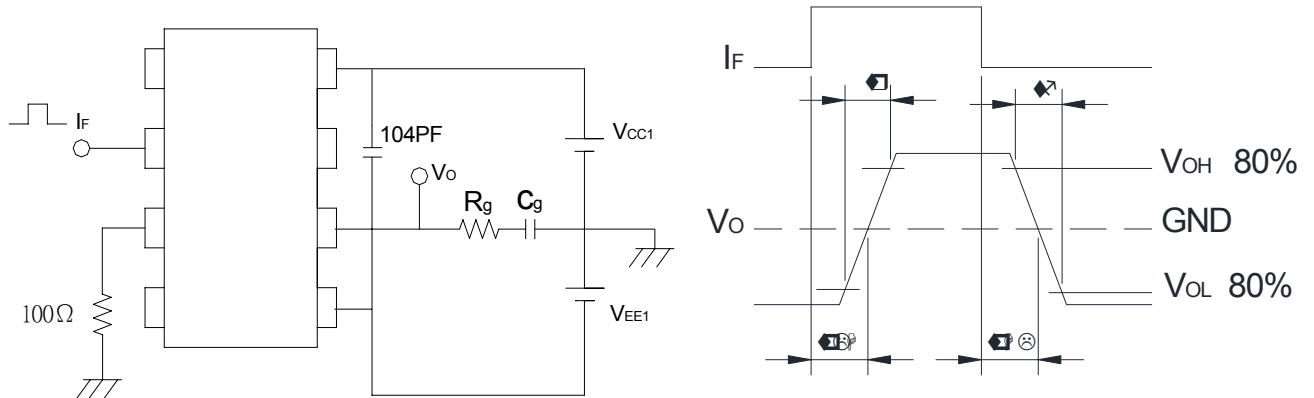
4. V_{OH} Measure



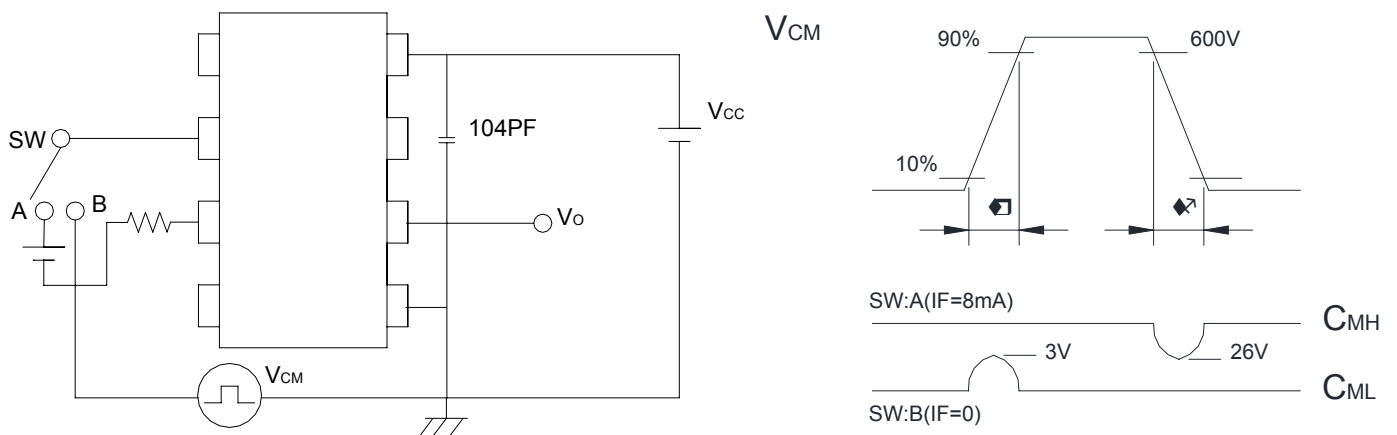
5. V_{OL} Measure



6. t_{pLH} , t_{pHL} , t_r , t_f Measure



7. C_{MH} , C_{ML} Measure



$$C_{ML} = \frac{480(V)}{t_r (\mu s)} ; C_{MH} = \frac{480(V)}{t_f (\mu s)}$$

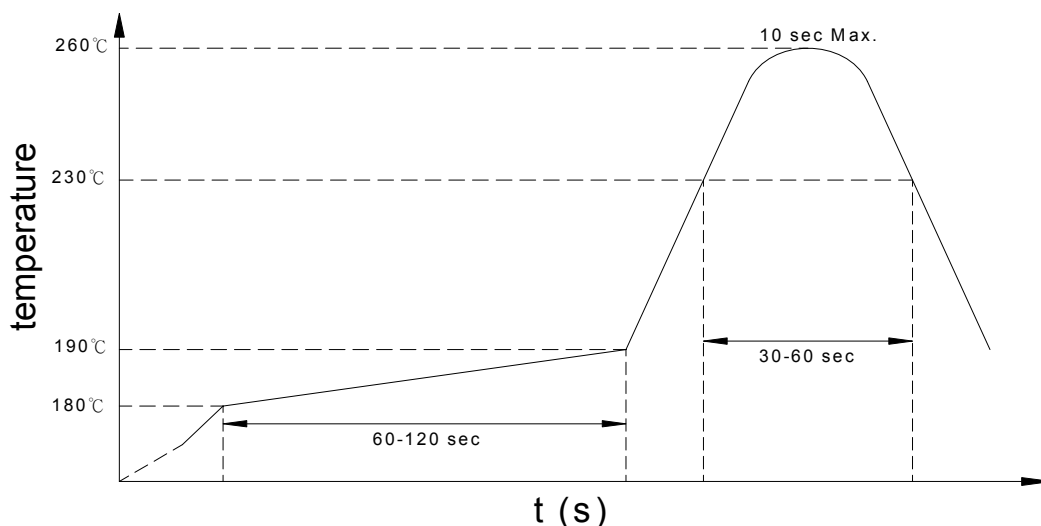
* C_{ML} (C_{MH}) is the maximum rate of rise (fall) of the common mode voltage that can be sustained with the output voltage in the low (high) state.

● Recommended Soldering Conditions

(a) Infrared reflow soldering :

- Peak reflow soldering : 260°C or below (package surface temperature)
- Time of peak reflow temperature : 10 sec
- Time of temperature higher than 230°C : 30-60 sec
- Time to preheat temperature from 180~190°C : 60-120 sec
- Time(s) of reflow : Two
- Flux : Rosin flux containing small amount of chlorine (The flux with a maximum chlorine content of 0.2 Wt% is recommended.)

Recommended Temperature Profile of Infrared Reflow



(b) Wave soldering :

- Temperature : 260°C or below (molten solder temperature)
- Time : 10 seconds or less
- Preheating conditions : 120°C or below (package surface temperature)
- Time(s) of reflow : One
- Flux : Rosin flux containing small amount of chlorine (The flux with a maximum chlorine content of 0.2 Wt% is recommended.)

(c) Cautions :

- Fluxes : Avoid removing the residual flux with freon-based and chlorine-based cleaning solvent.
- Avoid shorting between portion of frame and leads.

- **Numbering System**

KTLP250 X (Y)

Notes:

KP1510 = Part No.

X = Lead form option (blank · S · H · L)

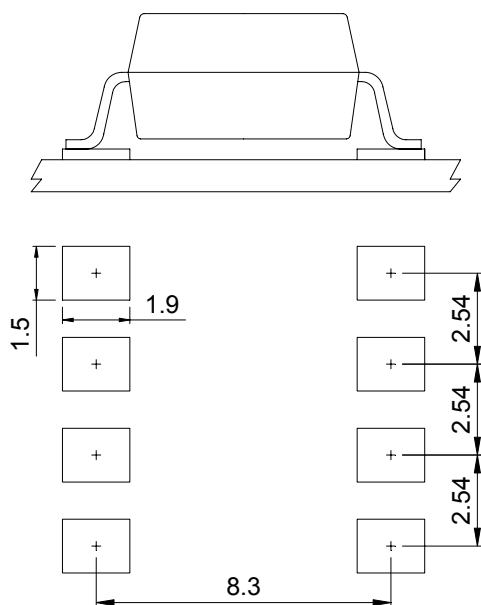
Y = Tape and reel option (TL · TR · TLD · TRU)

Option	Description	Packing quantity
S (TL)	surface mount type package + TL tape & reel option	1000 units per reel
S (TR)	surface mount type package + TR tape & reel option	1000 units per reel
L (TLD)	long creepage distance for surface mount type package + TLD tape & reel option	800 units per reel
L (TRU)	long creepage distance for surface mount type package + TRU tape & reel option	800 units per reel

- **Recommended Pad Layout for Surface Mount Lead Form**

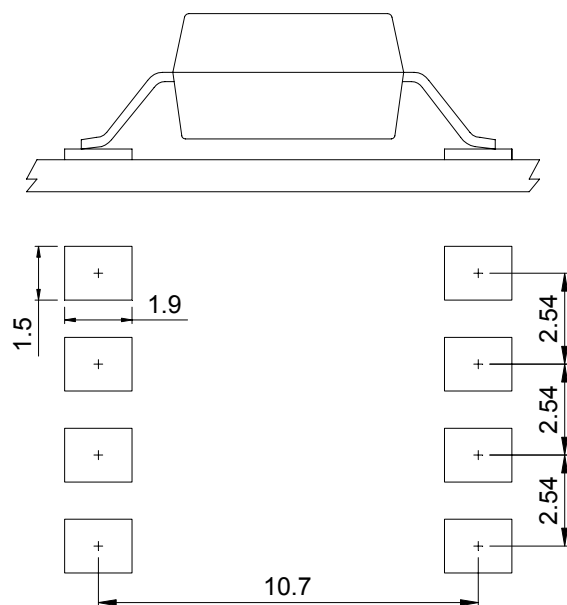
1.Surface mount type

8-pin SMD



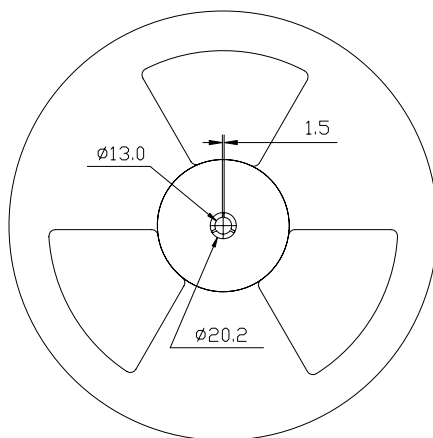
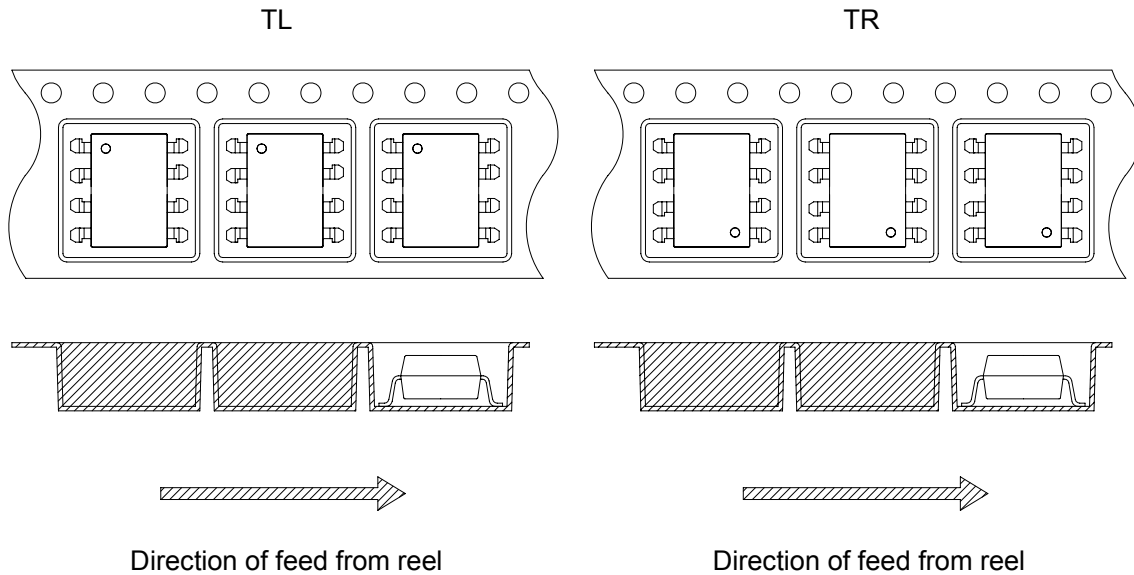
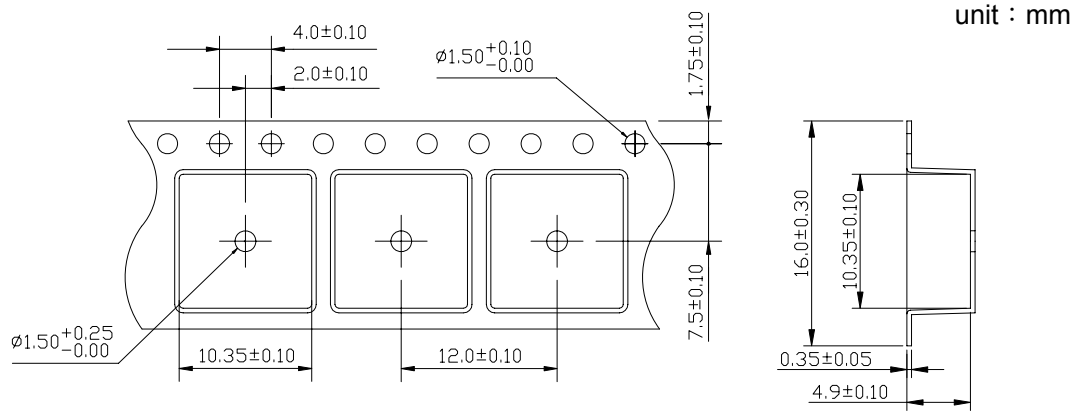
2.Long creepage distance for surface mount type

8-pin L

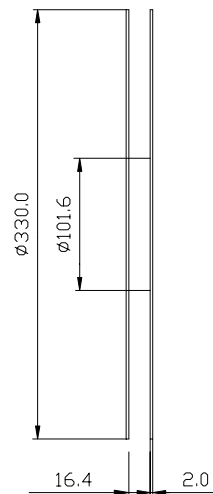


Unit :mm

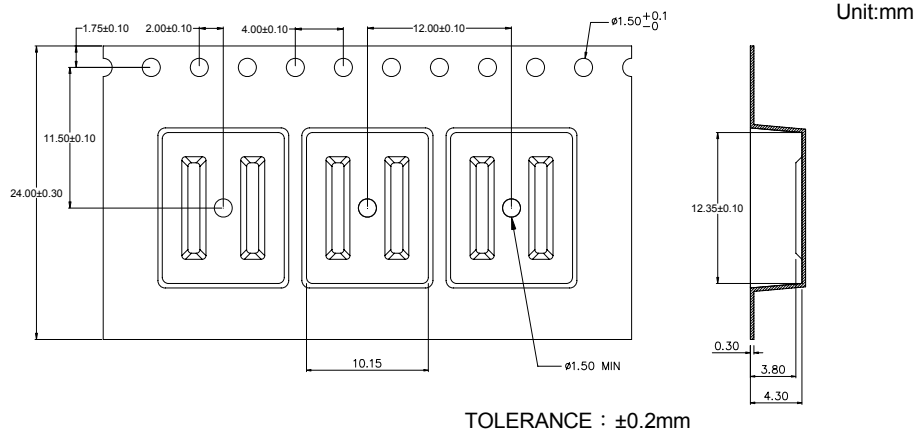
● 8-pin SMD Carrier Tape & Reel



Quantity : 1000pcs/reel

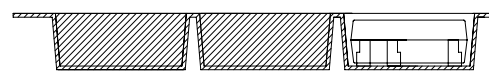
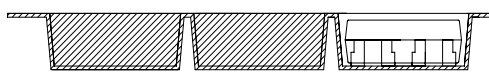
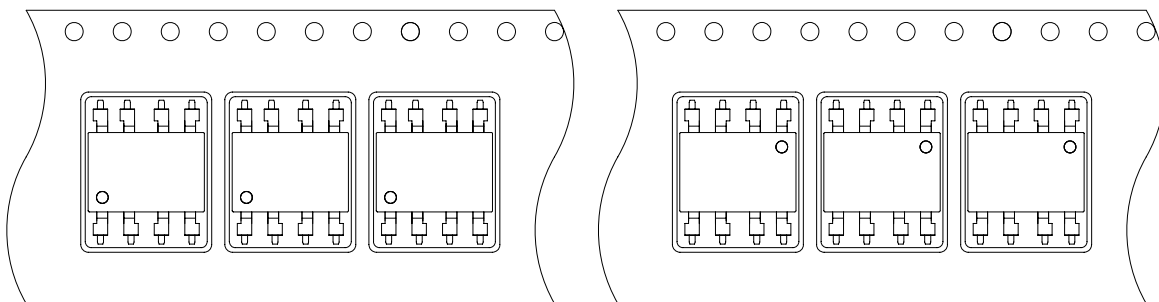


● 8-pin L Carrier Tape & Reel



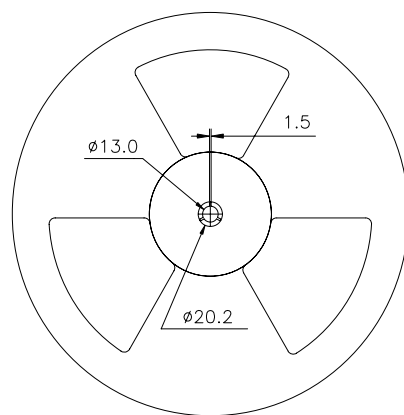
TLD

TRU

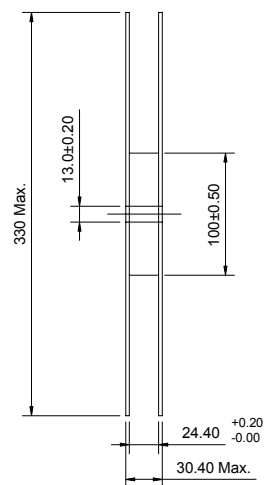


Direction of feed from reel

Direction of feed from reel



Quantity : 800pcs/reel



- **Application Notice**

The statements regarding the suitability of products for certain types of applications are based on cosmo's knowledge of general applications of cosmo products. Such statements are not binding statements about the suitability of products for a particular application. It is the customer's responsibility to verify the specifications are suitable for use in a particular application. Customers are solely responsible for all aspects of their own product design or applications. The parameters provided in the datasheet may vary in different applications and performance may vary over time. All operating parameters (including typical parameters) must be validated by customer's technical experts for different applications. cosmo assumes no liability for customer' product design or applications. Product specifications do not expand or otherwise change cosmo's terms and conditions of purchase, including but not limited to the warranty expressed therein.

When using cosmo products, please comply with safety standards and instructions. cosmo has no liability and responsibility to the damage caused by improper use of the instructions specified in the specifications.

cosmo products are designed for use in general electronic equipment such as telecommunications, office automation equipments, personal computers, test and measurement equipments, consumer electronics, industrial control, instrumentation, audio, video.

cosmo devices shall not be used in equipment that requires higher level of reliability and safety, such as nuclear power control equipment, telecommunication equipment(trunk lines), space application, medical and other life supporting equipments, and equipment for aircraft, military, automotive or any other application that can cause human injury or death.

cosmo reserves the right to change the specifications, data, characteristics, structure, materials and other contents at any time without notice. Please contact cosmo to obtain the latest specification.

cosmo disclaim any and all liability for any errors, inaccuracies or incompleteness contained in any datasheet or in any other disclosure relating to any product.