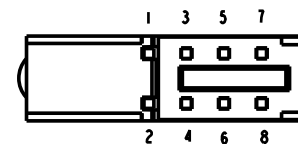
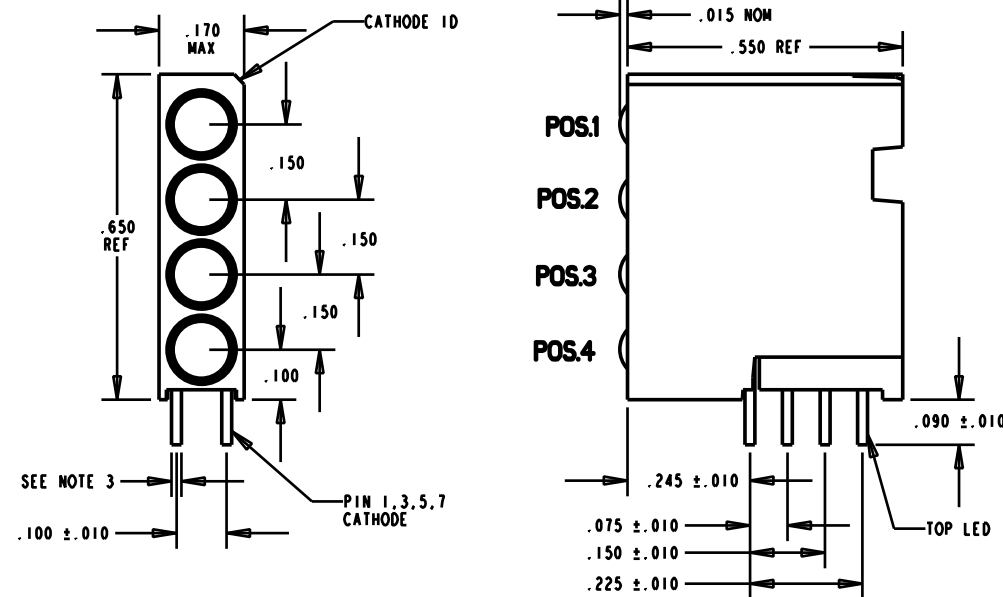


PART NUMBER	POSITION 1	POSITION 2	POSITION 3	POSITION 4
568-0004-874	RED	YELLOW	GREEN	GREEN
568-0004-875	YELLOW / GREEN	YELLOW / GREEN	YELLOW / GREEN	YELLOW / GREEN



OPERATING CHARACTERISTICS AT 25°C AMBIENT						
CHARACTERISTICS	LED COLOR	MIN	TYP	MAX	UNITS	TEST CONDITIONS
LUMINOUS INTENSITY	RED	7.4	10.0		mcd	I _f = 10 mA
	YELLOW	7.4	10.0			
	GREEN	4.7	12.6			
FORWARD VOLTAGE	RED		2.0	2.8	V	I _f = 20 mA
	YELLOW		2.1	2.8		
	GREEN		2.1	2.8		
REVERSE CURRENT	ALL			100	μA	V _r = 5 V
PEAK WAVELENGTH	RED		635		nm	
	YELLOW		585			
	GREEN		565			
VIEWING ANGLE	ALL		60		Degree	
CAPACITANCE	RED		20		pf	V _r = 0, f = 1 MHz
	YELLOW		15			
	GREEN		35			

ABSOLUTE MAXIMUM RATING AT 25°C AMBIENT				UNITS	RED	YELLOW	GREEN
POWER DISSIPATION		mW	100	60	100		
DERATE LINEARLY FROM 50°C		mA/°C	0.4	0.25	0.4		
CONTINUOUS FORWARD CURRENT		mA	30	20	30		
PEAK FORWARD CURRENT (1/10 DUTY CYCLE, 0.1 ms PULSE WIDTH)		mA	120	80	120		
LEAD SOLDERING TEMPERATURE, 5 SEC., 1/16" FROM BODY		°C	260	260	260		
OPERATING TEMPERATURE		°C	-55 TO 100	-55 TO 100	-55 TO 100		
STORAGE TEMPERATURE		°C	-55 TO 100	-55 TO 100	-55 TO 100		

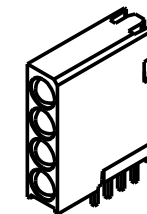
LED COLOR = YELLOW/GREEN BI-COLOR						
OPERATING CHARACTERISTICS AT 25°C AMBIENT						
CHARACTERISTICS	LED COLOR	MIN	TYP	MAX	UNITS	TEST CONDITIONS
LUMINOUS INTENSITY	YELLOW	2.5	4.3		mcd	I _f = 10 mA
	GREEN	2.5	6.3			
FORWARD VOLTAGE	YELLOW		2.1	2.8	V	I _f = 20 mA
	GREEN		2.1	2.8		
PEAK WAVELENGTH	YELLOW		585		nm	
	GREEN		565			
VIEWING ANGLE	ALL		80		Degree	
CAPACITANCE	YELLOW		15		pf	V _r = 0, f = 1 MHz
	GREEN		35			

ABSOLUTE MAXIMUM RATING AT 25°C AMBIENT				UNITS	YELLOW	GREEN
POWER DISSIPATION		mW	60	100		
DERATE LINEARLY FROM 50°C		mA/°C	0.25	0.4		
CONTINUOUS FORWARD CURRENT		mA	20	30		
PEAK FORWARD CURRENT (1/10 DUTY CYCLE, 0.1 ms PULSE WIDTH)		mA	80	120		
LEAD SOLDERING TEMPERATURE, 5 SEC., 1/16" FROM BODY		°C	260	260		
OPERATING TEMPERATURE		°C	-55 TO 100	-55 TO 100		
STORAGE TEMPERATURE		°C	-55 TO 100	-55 TO 100		

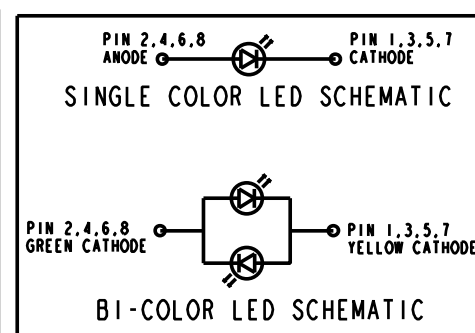
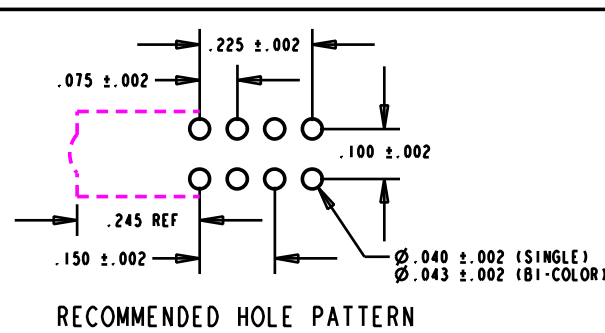
REV.	ECN NO.	REVISIONS	DRN.	CKD.	APP.	DATE
A	—	NEW RELEASE	DC	YC	NO	1-21-99
B	—	REMOVED MARKING ON SIDE OF HOUSING, ADDED PIN NUMBERS AND LED SCHEMATIC	DC	YC	NO	9-10-99
C	—	CHANGED PACKAGING INFO	AV	JMC	NO	10-24-00
D	—	UPDATED NOTE 5 TO DETAIL REPLACEMENT OF PACKAGING TRAYS WITH TUBES, ADDED NOTE 6, NOTE 7 WAS NOTE 6, REMOVED PACKAGING DETAIL.	JAV	YIS	NO	9-8-03
E	—	CHANGED PACKAGING INFO. 130 PCS. WAS 100 PCS.	JAV			

NOTES:

- LEADS TO FIT INTO HOLES SPACED AS PER HOLE PATTERN GAUGE
- LEADS TO BE FREE OF DEFORMATION AFTER BENDING AND CUTTING
- LEAD THICKNESS =
.020 SO. NOM. TYP FOR BI-COLOR
.018x.016 NOM. TYP FOR SINGLE COLOR
- LED LEAD DIMENSIONS SHOWN ARE MEASURED AT HOUSING EXIT
- PACKAGING =
PARTS TO BE PLACED INTO ANTI-STATIC TUBES, 130 PC'S PER TUBE WITH 2 END PLUGS.
- STANDARD PACKAGE 54 TUBES PER BOX, PARTIAL PACKAGING PERMISSIBLE IF REQUIRED.
- DIALIGHT PART NUMBER = SEE CHART FOR COLOR COMBO
568-0004-874
568-0004-875



SCALE 2.000



THIS DRAWING AND THE CONTENTS HEREIN ARE CONFIDENTIAL AND THE SOLE PROPERTY OF DIALIGHT. REPRODUCTION OF THIS DRAWING OR CONSTRUCTION OF ANY PARTS WITHIN THIS DRAWING ARE FORBIDDEN WITHOUT THE WRITTEN CONSENT OF DIALIGHT.		
SCALE 4:1	DRAWING NUMBER	REV
ALL DIM'S IN: INCHES	C-16465	E
TOLERANCES: UNLESS OTHERWISE SPECIFIED	TITLE EXTENDED 4x1 SINGLE CBI BLOCK	
FRACTIONS: 1/64	MATERIAL	
DECIMALS (.XX): ±.020	Dialight	
DECIMALS (.XXX): ±.015	1501 ROUTE 34 SOUTH FARMINGDALE, NJ 07727	
DECIMALS (.XXXX): ±.010	FINISH: ±.3°	
ANGLES: ±.3°	FSCN 83330	SHEET OF FAMILY TABLES: