



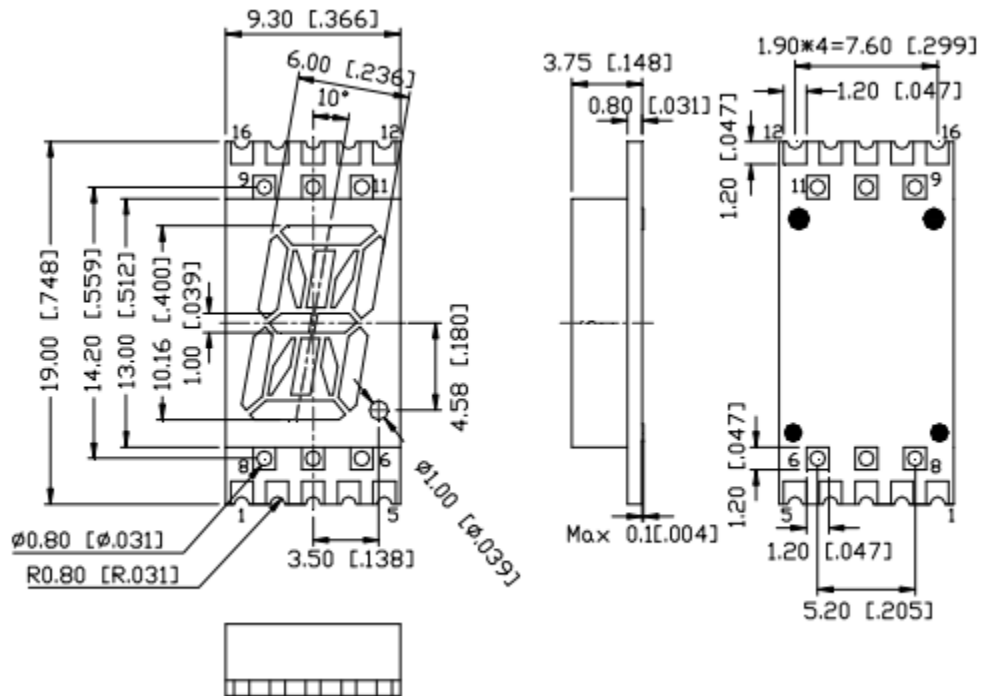
American Opto Plus LED Corp.

SMA4018YG-C GW

SMC4018YG-C GW

0.4" Yellow Green Single Digit Alphanumeric SMD Display

MECHANICAL DIMENSIONS



Notes:

1. Dimension in millimeter [inch], tolerance is ± 0.25 [0.10] and the angle is $\pm 1\%$ unless otherwise noted.
2. Bending \leq Length * 1%.

Chip Material	Emitted Color	Segment/Face	Description
AlGaInP	Yellow Green	White/Gray	Common Anode Common Cathode



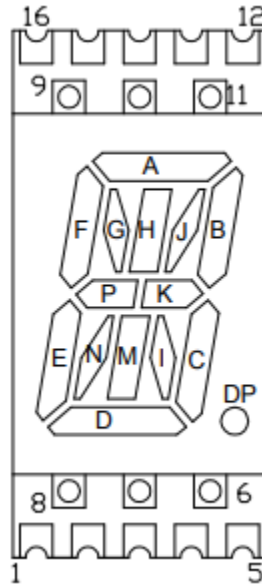
American Opto Plus LED Corp.

SMA4018YG-C GW

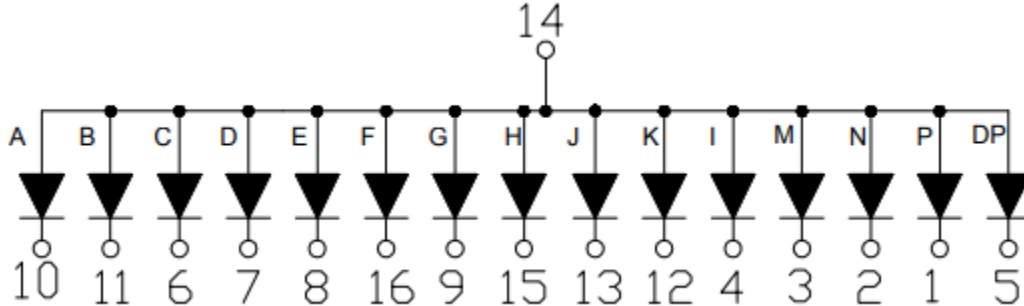
SMC4018YG-C GW

0.4" Yellow Green Single Digit Alphanumeric SMD Display

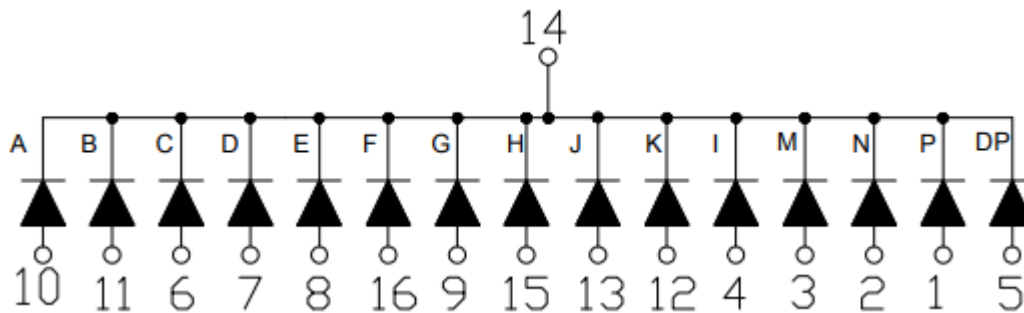
ALL LIGHT ON SEGMENTS FEATURE



INTERNAL CIRCUIT DIAGRAMS



Common Anode



Common Cathode



American Opto Plus LED Corp.

SMA4018YG-C GW

SMC4018YG-C GW

0.4" Yellow Green Single Digit Alphanumeric SMD Display

ABSOLUTE MAXIMUM RATING

(Ta=25°C)

Parameter	Symbol	Rating	Unit
Power Dissipation (Per Dice)	PD	70	mW
Continuous Forward Current (Per Dice)	IF	25	mA
Peak Current (Per Dice, duty cycle 1/10,1KHz)	IFP	90	mA
Derating Liner from 25°C(Per Dice)	$\Delta I_F/\Delta T$	0.33	mA/°C
Reverse Voltage (Per Dice)	VR	5	V
Electrostatic discharge(HBM)	ESD	--	V
Operating Temp.	TOPR	-40 ~ +105	°C
Storage Temp.	TSTG	-40 ~ +105	°C

ELECTRO-OPTICAL CHARACTERISTICS

(Ta=25°C)

Parameter	Symbol	Condition	Min.	Typ.	Max.	Unit
Forward Voltage (Per Segment)	VF	IF=20mA	--	2.0	2.8	V
Dominant Wavelength	λ_d	IF=10mA	--	570	--	nm
Peak Wavelength	λ_p		--	572	--	nm
Luminous Intensity Matching Ratio	IV-m		--	--	2:1	--
Luminous Intensity (Per Segment)	IV		--	3	--	mcd
Reverse Current	Ir	VR=5V	--	--	100	μ A



American Opto Plus LED Corp.

SMA4018YG-C GW

SMC4018YG-C GW

0.4" Yellow Green Single Digit Alphanumeric SMD Display

LUMINOUS GENERAL IV BIN GRADE

($I_f = 10\text{mA}$)

Bin	Min	Max	Unit
F	1.641	2.626	mcd
G	2.627	4.203	
H	4.204	6.726	

Notes: Tolerance: $\pm 20\%$

COLOR RANK LIMITS

($I_f = 10\text{mA}$)

Bin	Min	Max	Unit
0	567.5	569.4	nm
1	569.5	570.4	
2	570.5	571.4	
3	571.5	572.9	
4	573.0	575.0	

Notes: Tolerance: $\pm 1\text{nm}$



American Opto Plus LED Corp.

SMA4018YG-C GW

SMC4018YG-C GW

0.4" Yellow Green Single Digit Alphanumeric SMD Display

ELECTRICAL/OPTICAL CHARACTERISTICS CURVES

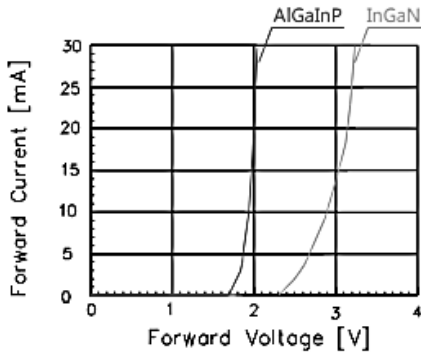


Fig 1. Forward Current vs. Forward Voltage

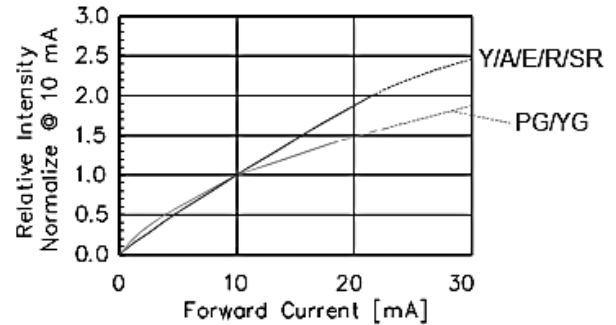


Fig 2. Relative Intensity vs. Forward Current

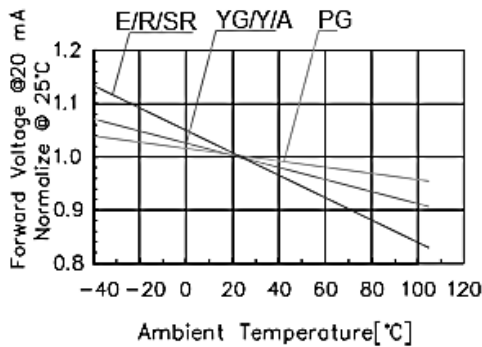


Fig 3. Forward Voltage vs. Temperature

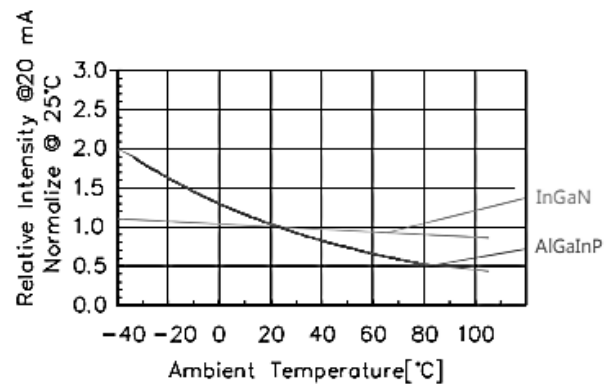


Fig 4. Relative Intensity vs. Temperature

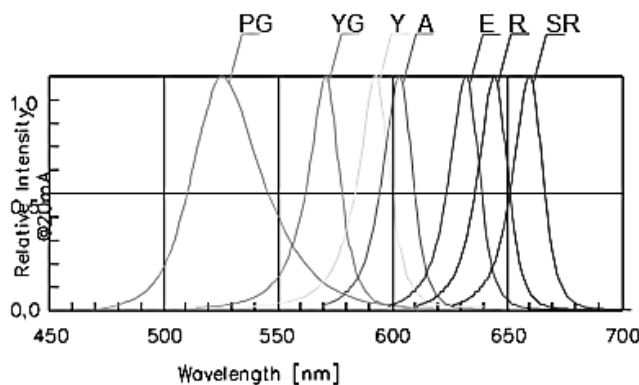


Fig 5. Relative Intensity vs. Wavelength

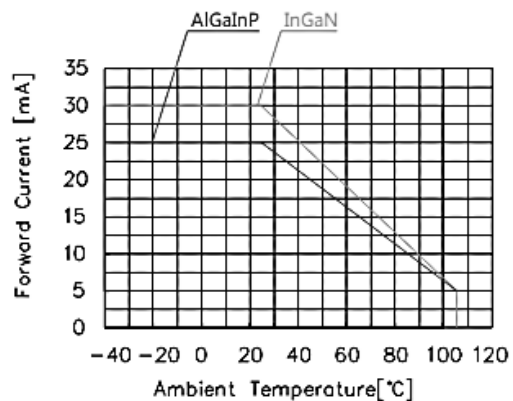


Fig 6. Forward current vs. Temperature



American Opto Plus LED Corp.

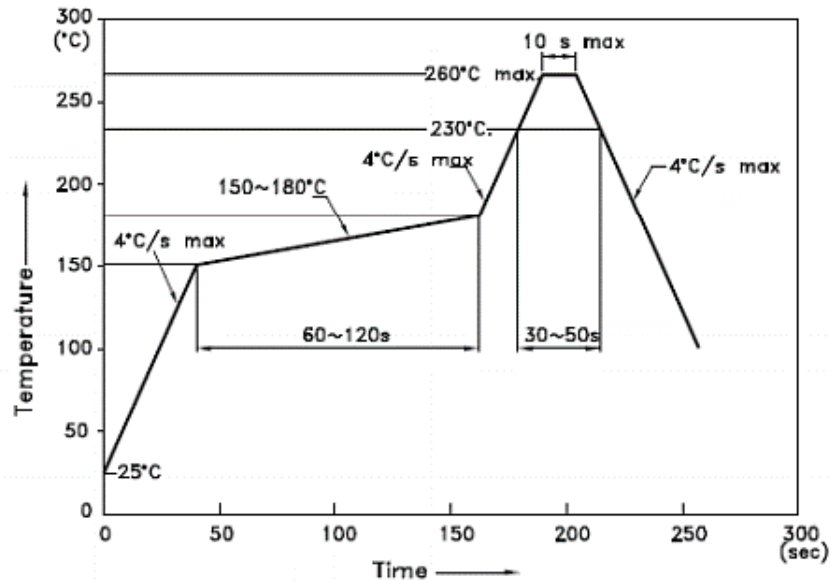
SMA4018YG-C GW

SMC4018YG-C GW

0.4" Yellow Green Single Digit Alphanumeric SMD Display

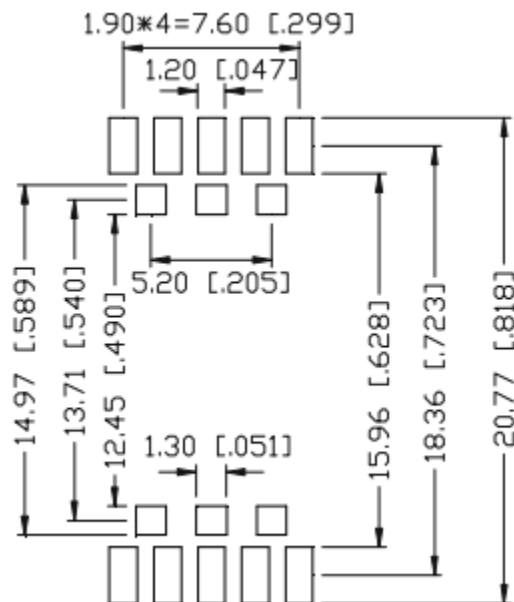
REFLOW SOLDERING CONDITION

IR Reflow Temperature/ Time



1. We recommend the reflow temperature is $245^{\circ}\text{C} \pm 5^{\circ}\text{C}$.
2. The maximum soldering temperature should be limited to 260°C .
3. Do not cause any stress to the epoxy resin while it is exposed to the high temperature.
4. Number of reflow process shall be 2 times or less.

RECOMMENDED PCB LAYOUT





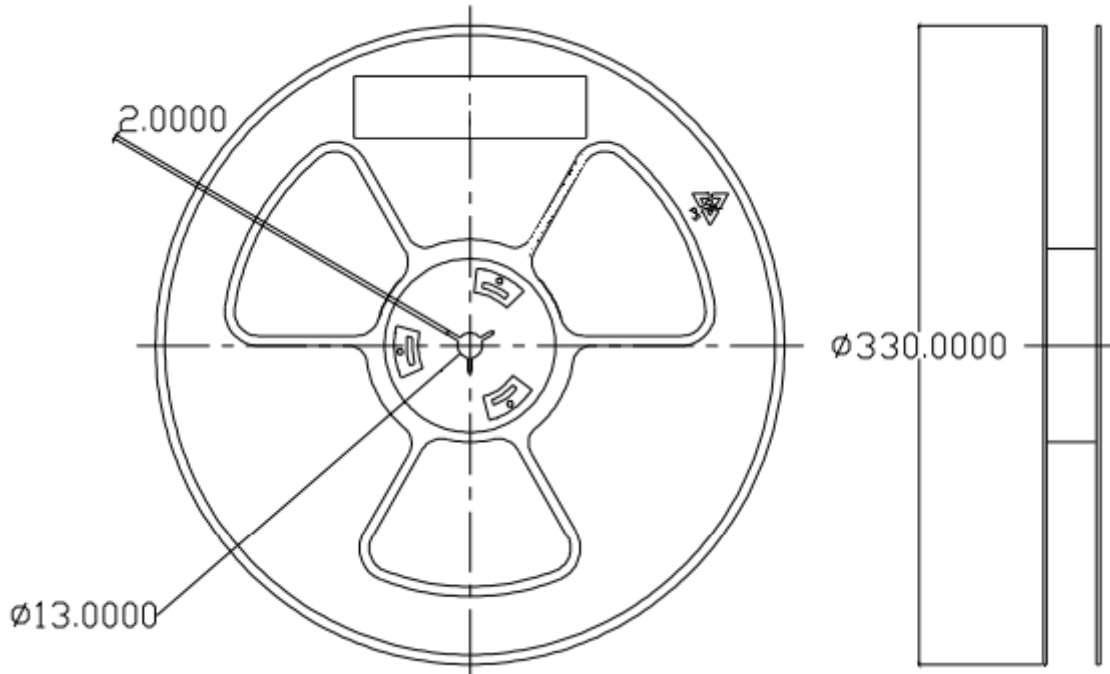
American Opto Plus LED Corp.

SMA4018YG-C GW

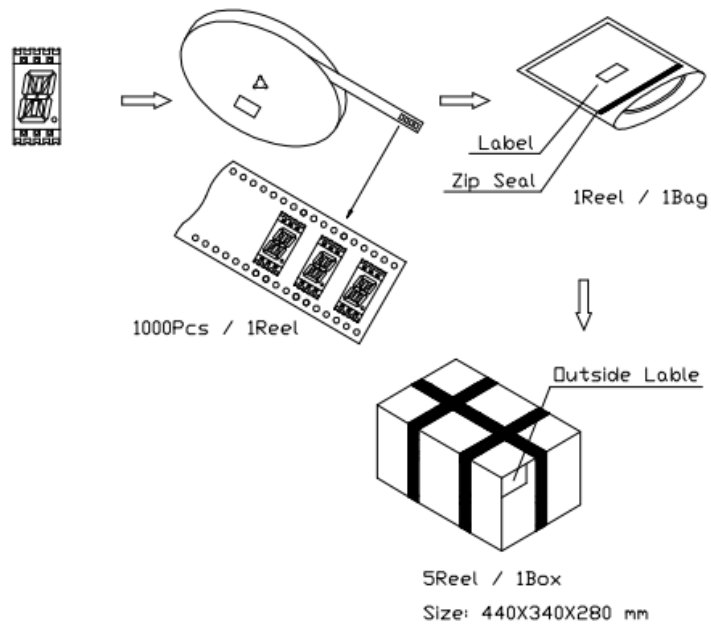
SMC4018YG-C GW

0.4" Yellow Green Single Digit Alphanumeric SMD Display

REEL DIMENSION



PACKING & LABEL DIMENSIONS



Note: specifications are subject to change without notice.
Please contact us for the updated information.

Version 1.0 Date: 06-22-2020 Specifications are subject to change without notice.
American Opto Plus LED Corp. 1206 E. Lexington Ave. , Pomona CA 91766 Tel: 909-465-0080 Fax: 909-465-0130 www.aopled.com