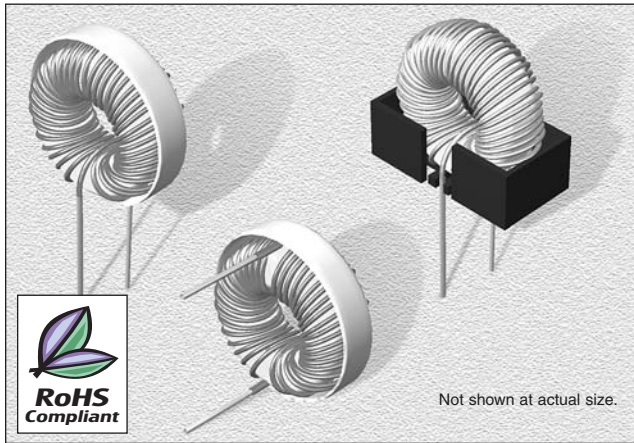


High Current Power Toroids

SPECIFICATIONS

Parts are marked to indicate tolerance available.
K = ±10%, L = ±15%, M = ±20%



CHARACTERISTICS

- Description:** Vertical or Horizontal toroid inductor
- Applications:** EMI/RFI filter and heavy duty applications
- Operating Temperature:** -20°C to +80°C
- Inductance Tolerance:** ±10%, ±15% & ±20%
- Inductance Ranges:** 0.5 µH to 10.0 µH
- Testing:** Tested on an HP4284A at 1.0 kHz
- Packaging:** Bulk pack
- Material:** Iron powder or ferrite cores
- Current Capabilities:** 0.5 A to 10.0 A
- Optional Tape:** UL glass tape
- Styles:** Vertical, Horizontal & Klip Mount
- How to order CT Toroids:**
 - Vertical Mount w/ Tape:** CT30-100K-TV
 - Horizontal Mount w/ Tape:** CT30-100K-TH
 - Toroid w/ Base:** CTB30-100K
 - Vertical or Horizontal Toroids w/ no Tape:** Only add V or H
- Miscellaneous:** **RoHS Compliant.** Detailed specification sheets are available upon request.
- Additional Information:** Additional electrical & physical information available upon request.
- Samples available. See website for ordering information.**

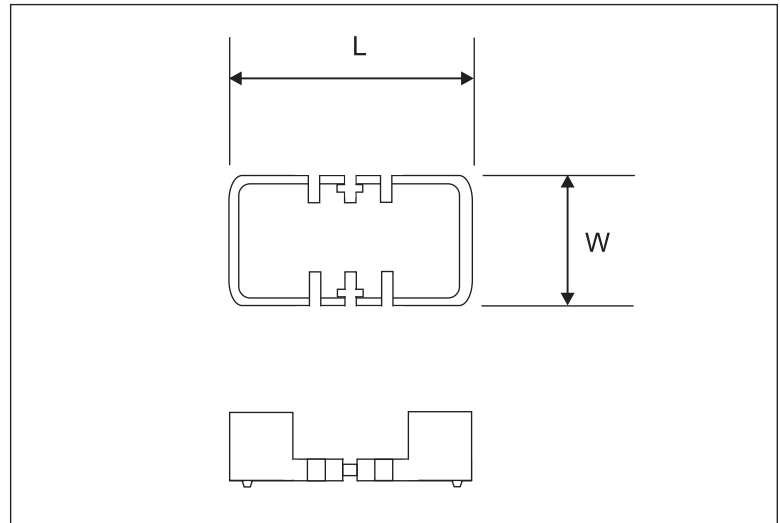
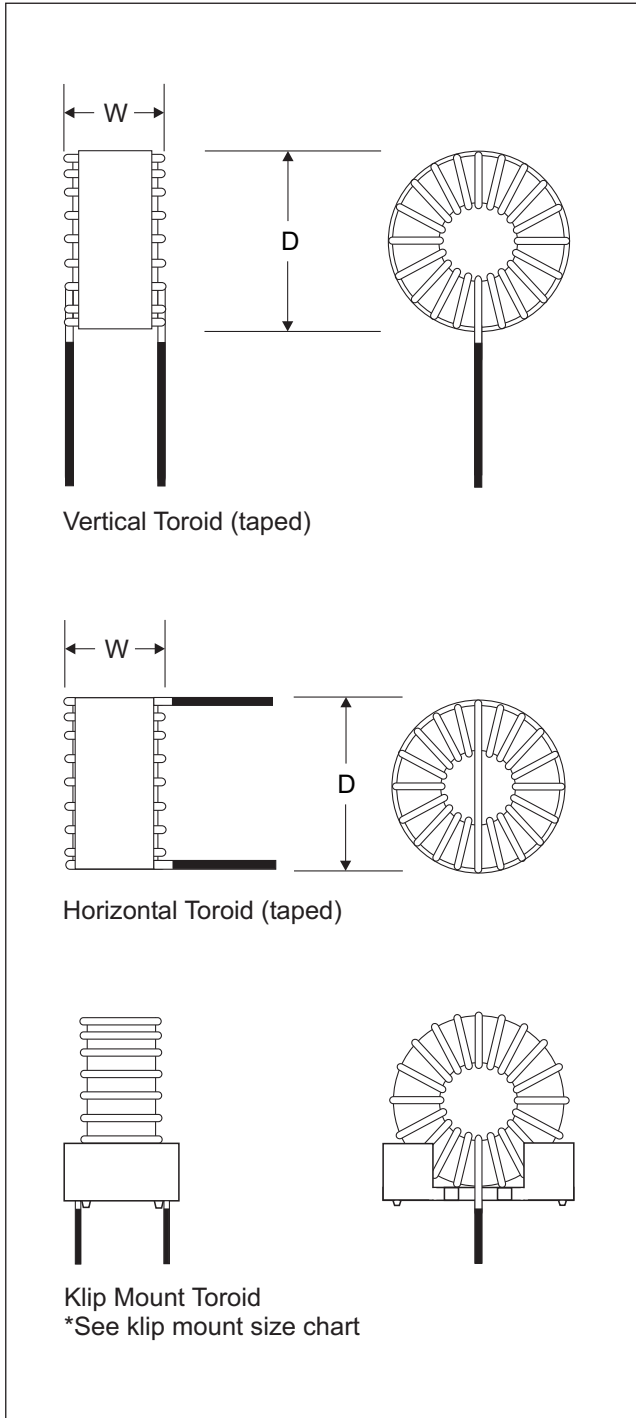
| Part Number | Inductance (µH) | L Test Freq. (kHz) | Rated DC (A) | Dia. (mm) | Width (mm) | Wire (AWG) | Optional Klip Mount |
|--------------|-----------------|--------------------|--------------|-----------|------------|------------|---------------------|
| CT30F-100K_ | 10 | 1.0 | 2.5 | 10.5 | 5.5 | 24 | KM-1 |
| CT44F-100K_ | 10 | 1.0 | 3.0 | 14.2 | 8.5 | 20 | KM-1 |
| CT44F-121K_ | 120 | 1.0 | 1.1 | 14.2 | 7.5 | 23 | KM-2 |
| CT44F-102K_ | 1000 | 1.0 | .50 | 14.2 | 6.0 | 30 | KM-2 |
| CT50F-5R0K_ | 5.0 | 1.0 | 5.0 | 15.2 | 7.6 | 18 | KM-3 |
| CT50F-100K_ | 10 | 1.0 | 3.0 | 16.5 | 8.5 | 18 | KM-2 |
| CT50F-250K_ | 25 | 1.0 | 2.5 | 13.5 | 6.5 | 23 | KM-2 |
| CT50F-101K_ | 100 | 1.0 | 2.0 | 15.5 | 8.5 | 22 | KM-3 |
| CT50F-251K_ | 250 | 1.0 | 1.0 | 16.0 | 8.0 | 24 | KM-2 |
| CT50F-102K_ | 1000 | 1.0 | 1.0 | 16.5 | 9.0 | 26 | KM-3 |
| CT60F-331K_ | 330 | 1.0 | 2.5 | 19.0 | 9.5 | 24 | KM-3 |
| CT67F-250K_ | 25 | 1.0 | 5.5 | 22.0 | 11.0 | 18 | KM-3 |
| CT67F-500K_ | 50 | 1.0 | 5.0 | 21.0 | 13.0 | 18 | KM-3 |
| CT67F-101K_ | 100 | 1.0 | 2.5 | 20.0 | 8.5 | 23 | KM-3 |
| CT68F-100K_ | 10 | 1.0 | 6.0 | 20.8 | 8.2 | 18 | KM-3 |
| CT68F-250K_ | 25 | 1.0 | 5.0 | 21.0 | 8.2 | 18 | KM-4 |
| CT68F-500K_ | 50 | 1.0 | 3.0 | 22.0 | 10.0 | 19 | KM-4 |
| CT72F-251K_ | 250 | 1.0 | 1.0 | 21.5 | 9.0 | 21 | KM-4 |
| CT77F-501K_ | 500 | 1.0 | 2.0 | 23.7 | 11.0 | 22 | KM-4 |
| CT80F-250K_ | 25 | 1.0 | 6.0 | 28.0 | 9.5 | 16 | KM-4 |
| CT80F-101K_ | 100 | 1.0 | 5.0 | 25.0 | 12.0 | 18 | KM-4 |
| CT80F-251K_ | 250 | 1.0 | 3.0 | 25.0 | 12.0 | 20 | KM-5 |
| CT80F-961K_ | 960 | 1.0 | 1.0 | 24.0 | 11.0 | 25 | KM-5 |
| CT80F-822M_ | 8200 | 1.0 | 1.0 | 24.0 | 12.0 | 20 | KM-5 |
| CT94F-100M_ | 10 | 1.0 | 5.0 | 27.9 | 12.7 | 17 | KM-5 |
| CT94F-251K_ | 250 | 1.0 | 5.0 | 29.0 | 13.0 | 18 | KM-5 |
| CT94F-501K_ | 500 | 1.0 | 6.0 | 29.0 | 15.5 | 18 | KM-5 |
| CT94F-751K_ | 750 | 1.0 | 4.5 | 30.5 | 14.5 | 19 | KM-5 |
| CT94F-102K_ | 1000 | 1.0 | 4.0 | 29.2 | 15.0 | 20 | KM-5 |
| CT106F-500K_ | 50 | 1.0 | 7.0 | 33.0 | 16.0 | 15 | KM-5 |
| CT106F-101K_ | 100 | 1.0 | 5.0 | 33.5 | 17.5 | 16 | KM-5 |
| CT106F-201K_ | 200 | 1.0 | 3.0 | 32.0 | 14.0 | 22 | - |
| CT106F-471K_ | 470 | 1.0 | 6.0 | 35.0 | 22.0 | 16 | - |
| CT130F-121K_ | 120 | 1.0 | 10.0 | 42.0 | 21.0 | 12 | - |
| CT130F-251M_ | 250 | 1.0 | 8.0 | 40.0 | 20.0 | 14 | - |
| CT130F-561M_ | 560 | 1.0 | 5.0 | 36.8 | 22.2 | 18 | - |
| CT141F-100K_ | 10 | 1.0 | 10.0 | 44.0 | 18.0 | 12 | - |

This is a representation of some of the more common toroid series types we produce. For values or sizes not shown ask for a specific requirement.

High Current Power Toroids

PHYSICAL DIMENSIONS

| Klip Mount # | Length | Width | AWG Sizes |
|--------------|--------|-------|-----------|
| KM-1 | 14.7 | 8.6 | 21-24 |
| KM-2 | 16.5 | 11.4 | 18-24 |
| KM-3 | 21.0 | 11.4 | 18-24 |
| KM-4 | 24.1 | 15.2 | 17-22 |
| KM-5 | 31.7 | 17.7 | 17-22 |



04.27.12