



### Electrical specifications

**Center Frequency:** 1000 MHz  
**Bandwidth:** 35 MHz typ  
**VSWR:** 1.5:1  
**Input / Output Impedance:** 50 Ohms  
**Passband:** 982.5-1017.5 MHz  
**Passband Insertion Loss:** 3.0 dB max  
**Passband Ripple:** 0.7 dB max  
**Rejection:** 50 dB min at 865 MHz  
**Rejection 2:** 50 dB min at 1135 MHz  
**Power Handling:** 1 W

### Mechanical

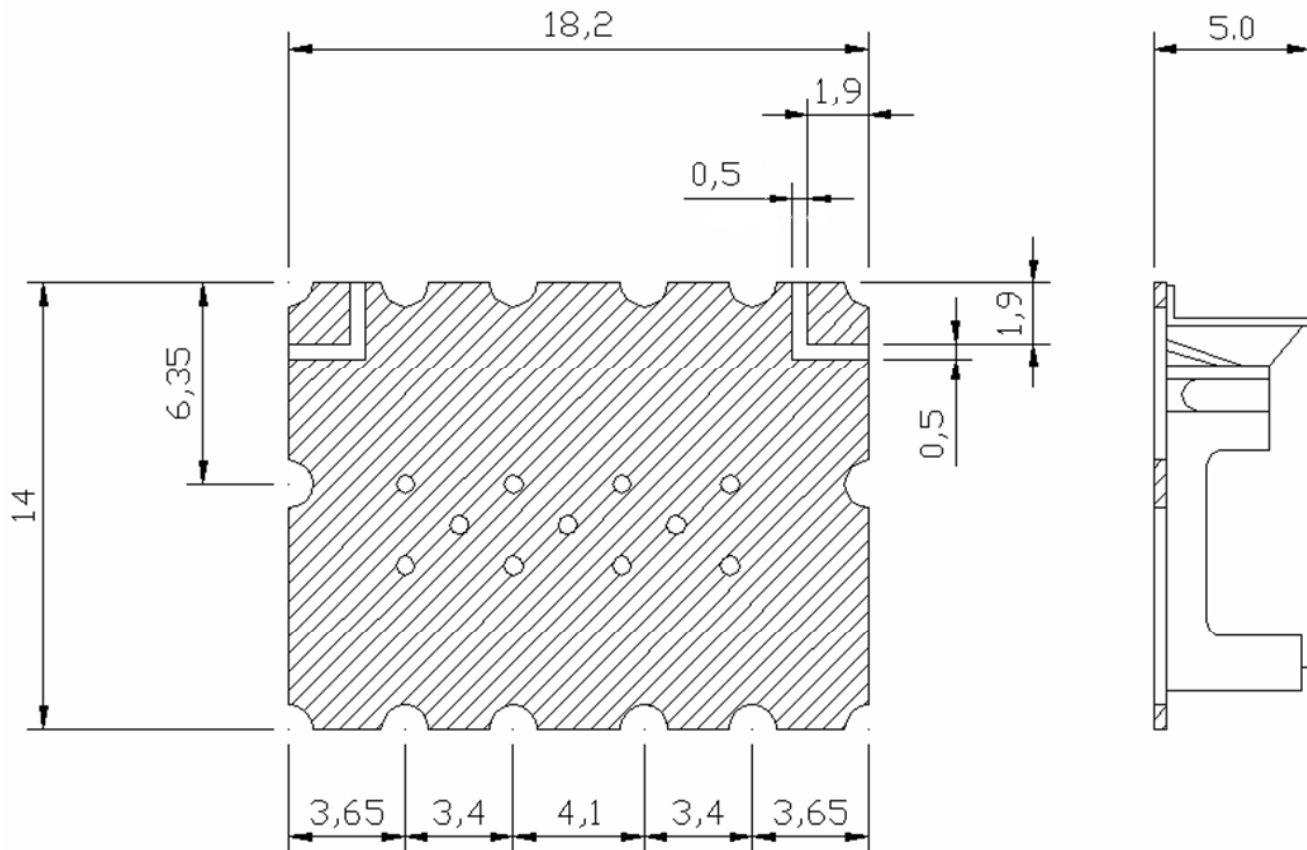
**Mounting Method:** SMT  
**Dimensions:** 18.2mm x 14mm x 5mm

### Environmental

**Operating Temperature:** -20°C to 70°C  
**Storage Temperature:** -50°C to +90°C

This product is RoHS compliant.

### Outline Drawing:



Unit : mm

Tolerance :  $\pm 0.3$