

VSC7454

26-Port L2/L3 Stackable Gigabit Ethernet Switch with 10 Gbps Links

Microsemi's next generation switch family delivers a flexible Enterprise solution.

The VSC7454 E-StaX-IV-44™ device is a 44 Gbps managed L2/L3, stackable Ethernet switch with up to 26 ports supporting a combination of 1G, 2.5G, and 10G Ethernet ports. The 10 GbE ports can also be configured as stacking ports.

The device provides a rich set of Enterprise Ethernet switching features. Using multistage Versatile TCAM technology (VCAP™), it delivers VLAN and QoS processing that enables delivery of differentiated services, security through intelligent frame processing, and egress frame manipulation.

A powerful 500 MHz CPU enables full management of a Layer 2 and Layer 3 Ethernet switch solution.

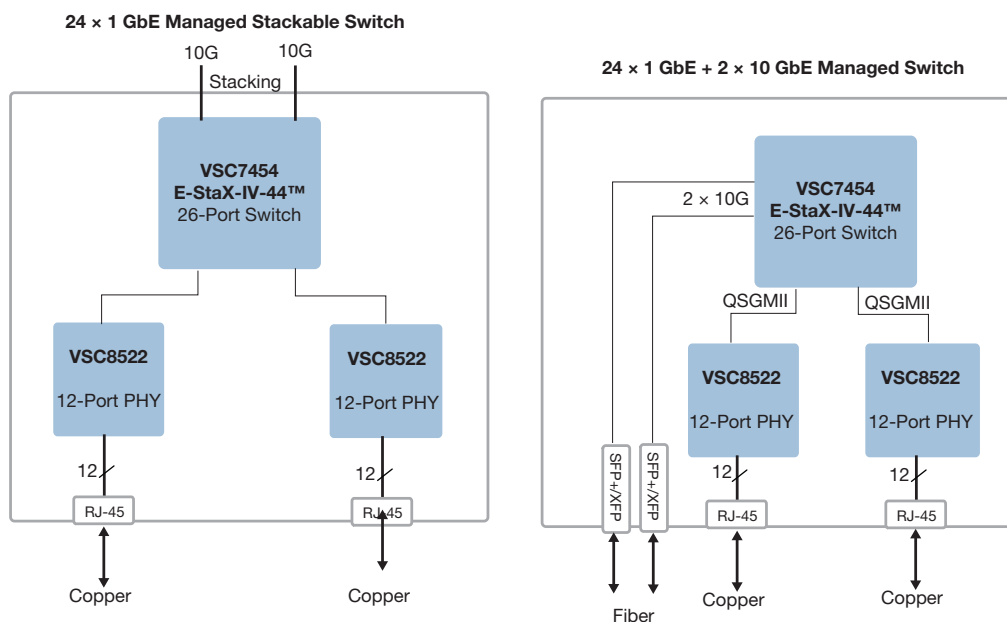
A comprehensive application programming interface (API) and software development package accelerates time-to-market for managed Ethernet applications. The software API package integrates easily with third-party software, preserving existing software investments.

Highlights

- Up to 26 × 1G, 16 × 2.5G, and 2 × 10G Ethernet ports
- Fully managed L2 switching and L3 forwarding features
- Stacking up to 16 switches

Applications

- Stackable smart switch
- Fully managed L2/L3 switch
- Fully managed stackable switch



VSC7454

26-Port L2/L3 Stackable Gigabit Ethernet Switch with 10 Gbps Links

Features

- Main port configurations:
 26 × 1G SGMII
 24 × 1G SGMII + 2 × 10G SFI/XAUI/RXAUI
 16 × 2.5G SGMII + 2 × 10G SFI/XAUI/RXAUI
- Additional 10/100/1000 Mbps SGMII/SerDes node processor
- Integrated 500 MHz MIPS 24KEc CPU with MMU and DDR3/DDR3L SDRAM controller
- PCIe 1.x CPU interface
- Internal shared memory buffer (8 queues per port)
- Jumbo frame support
- Strict priority and DWRR scheduler/shaper

Layer 2 Switching and Layer 3 Forwarding

- 802.1Q VLAN switch with 32K MACs and 4K VLANs
- Push/pop/translate up to three VLAN tags on ingress and egress
- Policing with storm control and MC/BC protection
- RSTP and MSTP support
- Independent and shared VLAN learning (IVL, SVL)
- Hardware- and software-based learning
- TCAM-based classification and VCAP-II security
- Layer 3 unicast and multicast routing

Multicast

- Layer 2
- IPv4 and IPv6
- IGMP and MLD

Stacking

- VStaX™ stacking protocol
- Hardware supported shortest path forwarding for optimal bandwidth and resiliency
- 2 × 10 Gbps uplink bandwidth in rings
- Stacking of up to 16 switch boxes in ring or chain topology
- QoS consistency across stack

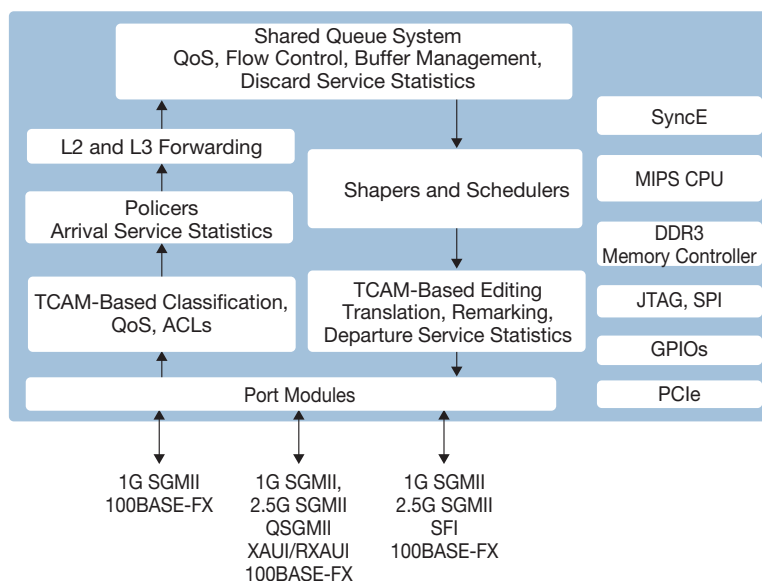
Key Specifications

- 27 mm × 27 mm FCBGA
- 0 °C to 110 °C operating temperature

Related Products

Visit www.microsemi.com for information about these related products:

- SparX-IV nonstackable GbE switches
- VSC8512 and VSC8522 12-port copper PHYs
- Unified API, WebStaX™, and SMBStaX™ software



Microsemi

Microsemi Corporate Headquarters
 One Enterprise, Aliso Viejo, CA 92656 USA
 Within the USA: +1 (800) 713-4113
 Outside the USA: +1 (949) 380-6100
 Sales: +1 (949) 380-6136
 Fax: +1 (949) 215-4996
 email: sales.support@microsemi.com
www.microsemi.com

Microsemi Corporation (Nasdaq: MSCC) offers a comprehensive portfolio of semiconductor and system solutions for communications, defense and security, aerospace, and industrial markets. Products include high-performance and radiation-hardened analog mixed-signal integrated circuits, FPGAs, SoCs, and ASICs; power management products; timing and synchronization devices and precise time solutions; voice processing devices; RF solutions; discrete components; enterprise storage and communications solutions, security technologies, and scalable anti-tamper products; Ethernet solutions; Power-over-Ethernet ICs and midspans; custom design capabilities and services. Microsemi is headquartered in Aliso Viejo, California, and has approximately 4,800 employees worldwide. Learn more at www.microsemi.com.