



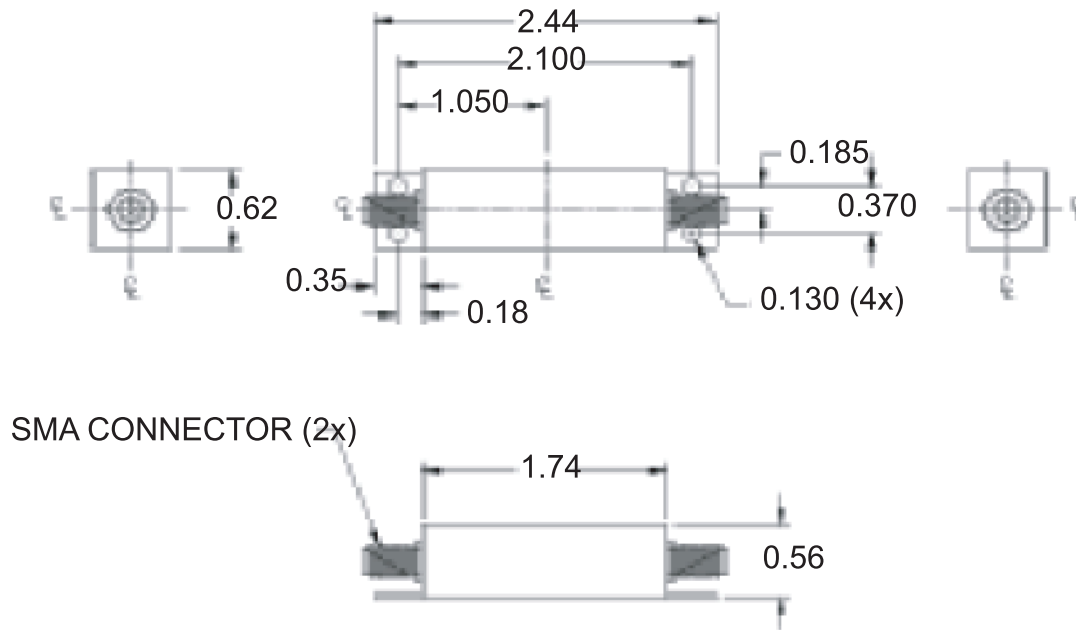
### FM Bandpass Crystal Filter

P/N: AM100.5CR142

#### Specification:

Filter Type	Band Pass
Center Frequency (Fo)	100.5MHz
3 dBc Band Width:	$\pm 75\text{KHz Max}^*$
Insertion Loss:	3.0dB Max
Pass Band Ripple:	1.0dB Max
20 dBc Band Width:	$\pm 250\text{KHz Max}$
Impedance:	50 Ohms
Operating Temperature:	0 to +70°C

#### Outline Drawing:



\*PC Mount and surface mount package styles also available.\*