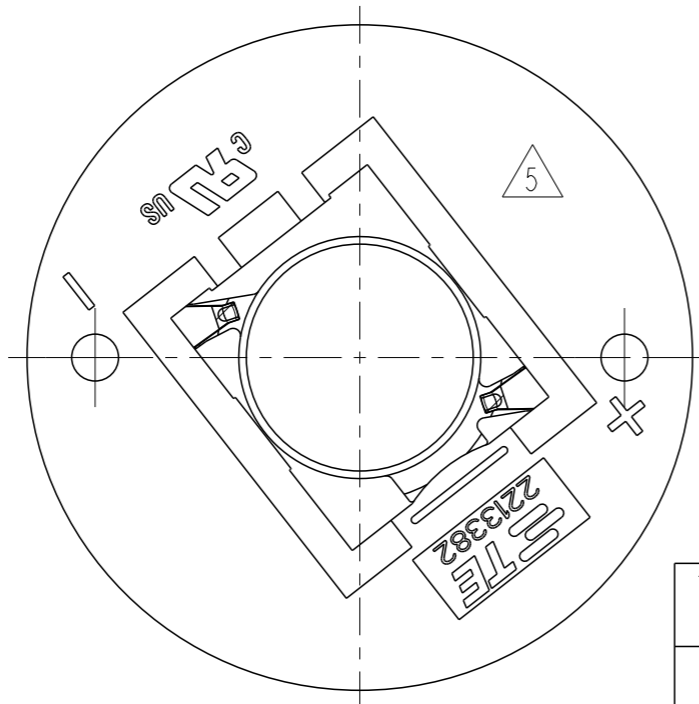
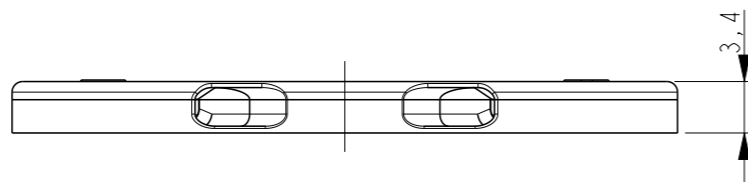
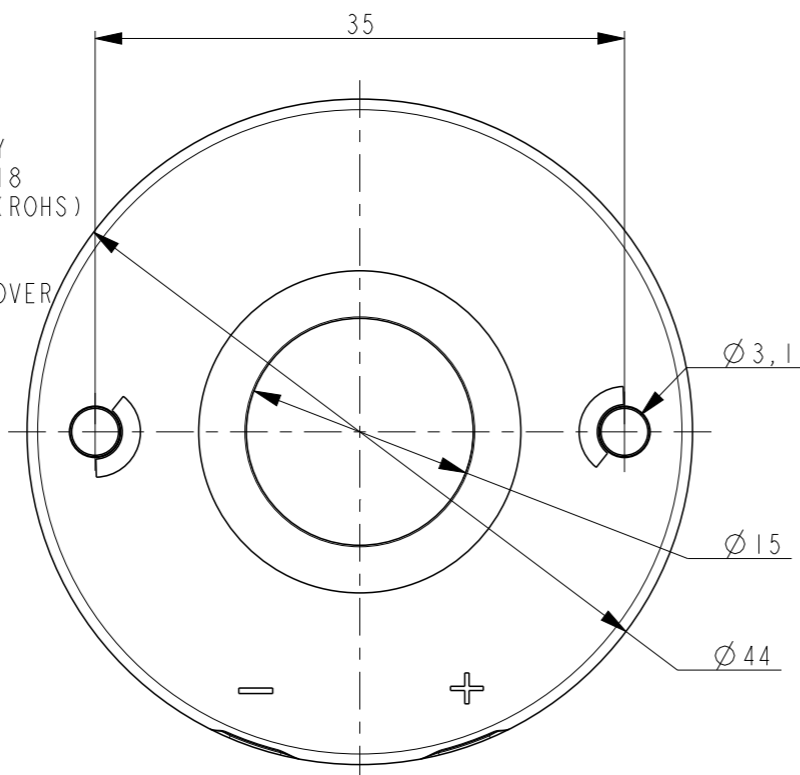


NOTES:

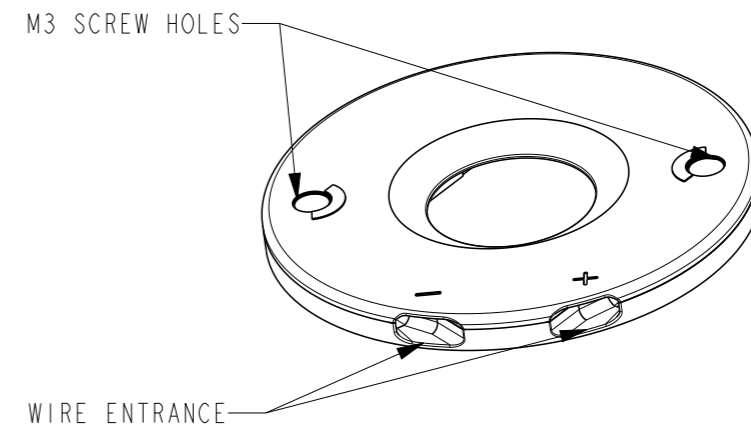
- 1. MATERIALS:
HOUSING: GLASS FILLED PBT
HALOGEN FREE FLAME RETARDANT,
COLOR : NATURAL/WHITE
CONTACTS: SILVER PLATED COPPER ALLOY
- 2. FOR SOLID AND STRANDED WIRE AWG 22-18
- 3. COMPLIES WITH DIRECTIVE 2002/95/EC (ROHS)
- 4. M3 SCREW TO BE USED FOR MOUNTING

- 5. DATE CODE YY-WW-D ANY WHERE EXCEPT OVER LOGO OR +/- SIGN.
- 6. FOR COB-TO-HOLDER CROSS REFERENCE, REFER TO APPLICATION SPECIFICATION 114-32208.

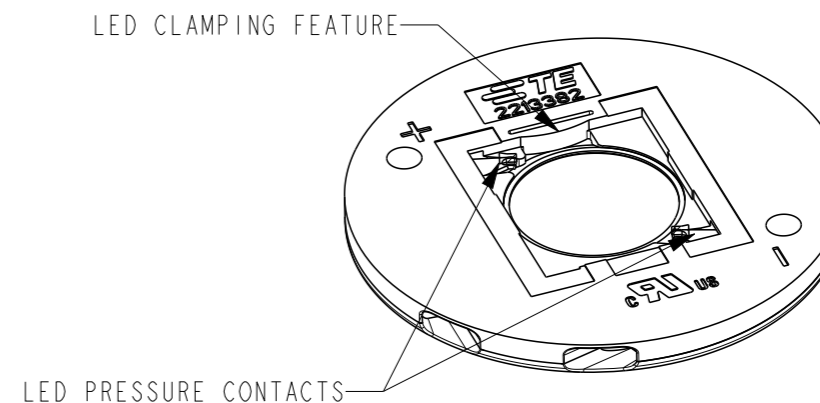


2213382-1 AS SHOWN
LUMAWISE LED HOLDER Z50 LOW PROFILE

REVISIONS					
P	LTR	DESCRIPTION	DATE	DWN	APVD
	A4	ADDED RELEASED LEDS	25JAN2017	KR	MvE
	B	REVISED PER ECR-17-005513	13APR2017	SK	MvE
	B1	REVISED PER ECR-17-016356	07NOV2017	RK	OL
	B2	REVISED PER ECR-19-009282	14JUN2019	SR	DD



SCALE 3:2



DESCRIPTION	PART NO	PACKAGING
LUMAWISE LED HOLDER Z50 STANDARD PROFILE 1619	2213382-2	5x4 PIECES IN TRAY 25 TRAYS IN SHIPPING BOX
LUMAWISE LED HOLDER Z50 LOW PROFILE 1619	2213382-1	5x4 PIECES IN TRAY 35 TRAYS IN SHIPPING BOX

THIS DRAWING IS A CONTROLLED DOCUMENT.		DWN YASHKUMAR 31AUG2013	TE Connectivity NAME LUMAWISE LED HOLDER Z50 1619			
DIMENSIONS: mm		CHK M.V.ESSSEN 31AUG2013				
TOLERANCES UNLESS OTHERWISE SPECIFIED:		APVD O.I.FIUNSE 31AUG2013				
0 PLC ±- 1 PLC ±- 2 PLC ±- 3 PLC ±- 4 PLC ±- ANGLES ±-		PRODUCT SPEC 108-133008				
MATERIAL	FINISH	APPLICATION SPEC 114-32048	SIZE A3	CAGE CODE -	DRAWING NO C-2213382	RESTRICTED TO -
		WEIGHT -	SCALE 2:1		SHEET 1 OF 3	REV B2
		Customer Drawing				

4

3

2

1

THIS DRAWING IS UNPUBLISHED.

RELEASED FOR PUBLICATION

20

© COPYRIGHT 20

BY -


ALL RIGHTS RESERVED.

REVISIONS

P	LTR	DESCRIPTION	DATE	DWN	APVD
-	-	SEE SHEET 1	-	-	-

SCALE 3:2

2213382-2 AS SHOWN
LUMAWISE LED HOLDER Z50 STANDARD PROFILE

THIS DRAWING IS A CONTROLLED DOCUMENT.		DWN YASHKUMAR 31AUG2013	 TE Connectivity	
DIMENSIONS: mm		CHK M.V.ESSSEN 31AUG2013		
TOLERANCES UNLESS OTHERWISE SPECIFIED:		APVD O.I.FIUNSE 31AUG2013	NAME LUMAWISE LED HOLDER Z50 1619	
0 PLC ±- 1 PLC ±- 2 PLC ±- 3 PLC ±- 4 PLC ±- ANGLES ±-		PRODUCT SPEC 108-133008	RESTRICTED TO	
MATERIAL		APPLICATION SPEC 114-32048	SIZE A3	CAGE CODE -
FINISH		WEIGHT -	DRAWING NO C-2213382	RESTRICTED TO -
		Customer Drawing	SCALE 2:1	SHEET 2 OF 3
				REV B2

1470-19 (3/13)

4

3

2

1

THIS DRAWING IS UNPUBLISHED.

RELEASED FOR PUBLICATION

20

© COPYRIGHT 20

BY -

ALL RIGHTS RESERVED.

REVISIONS

P	LTR	DESCRIPTION	DATE	DWN	APVD
	-	SEE SHEET 1	-	-	-

THE SKETCH BELOW IS SHOWING THE NOMINAL LED COB DIMENSIONS TO MATCH WITH THE Z50 LED HOLDER 1619
FOR TECHNICAL DETAILS ABOUT A PROPER MATCH WITH A SPECIFIC LED COB ARRAY PLEASE CONTACT A REPRESENTATIVE AT TE-CONNECTIVITY

THIS DRAWING IS A CONTROLLED DOCUMENT.

DIMENSIONS:
mm

TOLERANCES UNLESS OTHERWISE SPECIFIED:

0 PLC	±-
1 PLC	±-
2 PLC	±-
3 PLC	±-
4 PLC	±-
ANGLES	±-

MATERIAL

FINISH

-

-

DWN 31AUG2013

YASHKUMAR

CHK 31AUG2013

M.V.ESSEN

APVD 31AUG2013

O.I.FIJNSE

PRODUCT SPEC

108-133008

APPLICATION SPEC

114-32048

WEIGHT

-

NAME

LUMAWISE LED HOLDER Z50 1619

SIZE

A3

CAGE CODE

-

DRAWING NO

C-2213382

RESTRICTED TO

-

Customer Drawing

SCALE 2:1

SHEET 3 OF 3

REV B2

1470-19 (3/13)