

## AB-FG024RB-07812-XA1

*IP65, Bright LED's horticultural series LEDs applied, 24V DC 78" Flexible light strip.*

### Application:

- Horticulture



**Feature:**

LEDs:	2835 SMD (Red: Blue= 4:1)
Light Angle:	120 degree
QTY/Meter	80 LEDs
Length:	2M (78in)/pcs
Power rating	23.4W/pcs
Rated Current	0.98A/pcs
Operating Temperature:	-20°C~+55°C
Storage Temperature:	-40°C~+80°C
Environment Humidity:	40-70% RH
Protection Grade:	IP65

**Product performance parameter:**

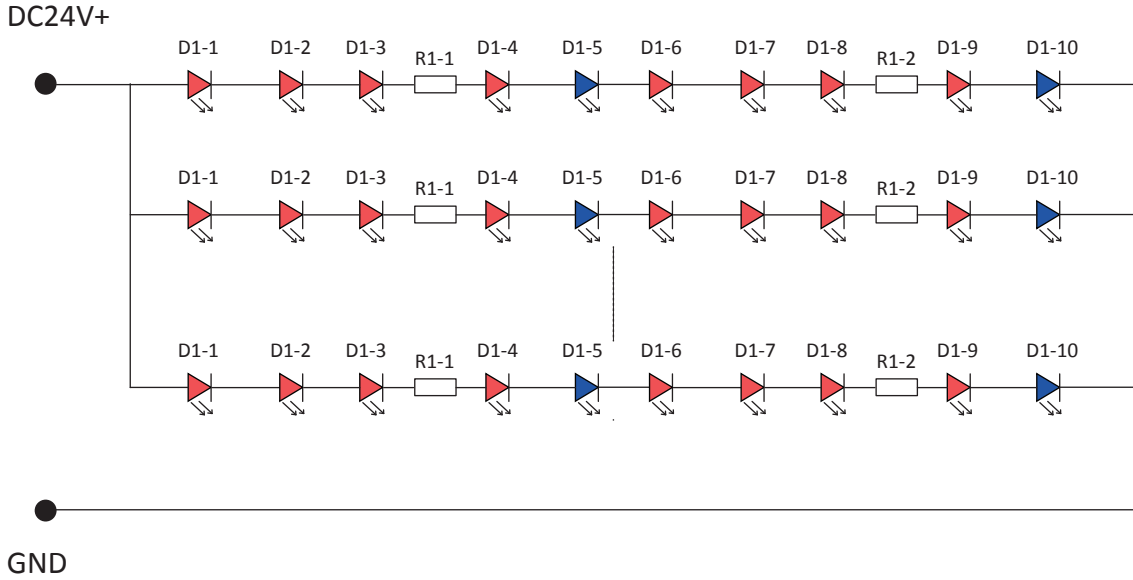
Serial number	Part Number	Color temperature	Prpc WL(nm)	Peak WL(nm)	QTY/M (39.3in)	Luminous per meter	PPF/W	working voltage (24V)/IF(A)	Rated power (W/M)
1	AB-FG024RB-07812-XA1	Red&Blue	550-560nm	660-665nm	64LED/RED 16LED/Blue	--	1.89	0.48	11.5/M

**Notes :**

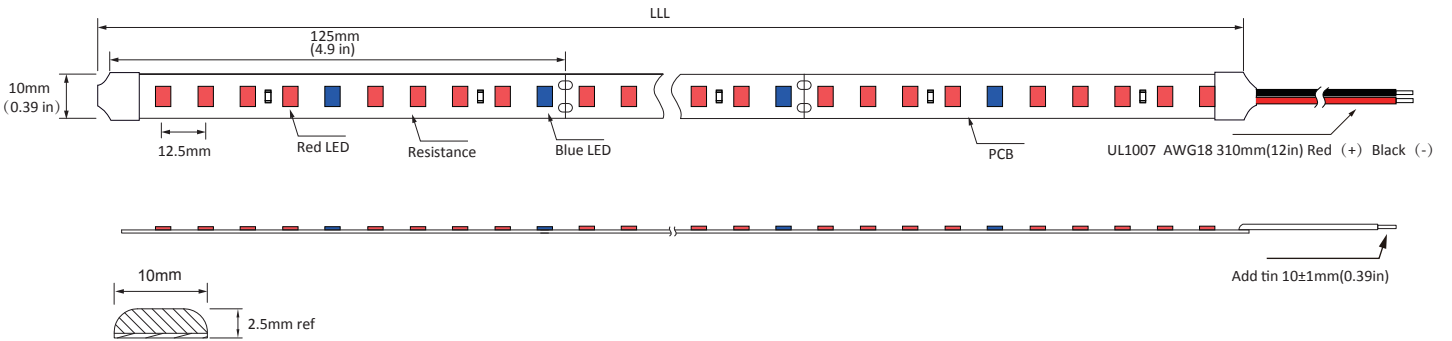
1. Luminous flux plus or minus 10% is allowed in the floating.
2. Photometric standards are based on CIE eye sensitivity curve diagram test.

**Schematic diagram:**

**Schematic:  
(DC24V)**

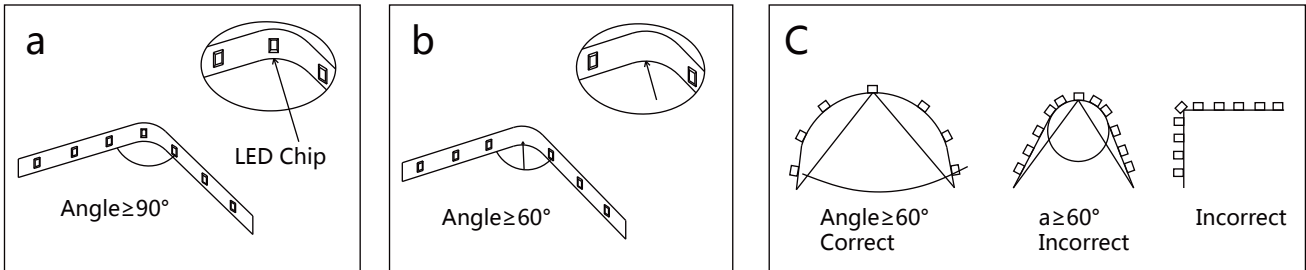


**Product size chart:**



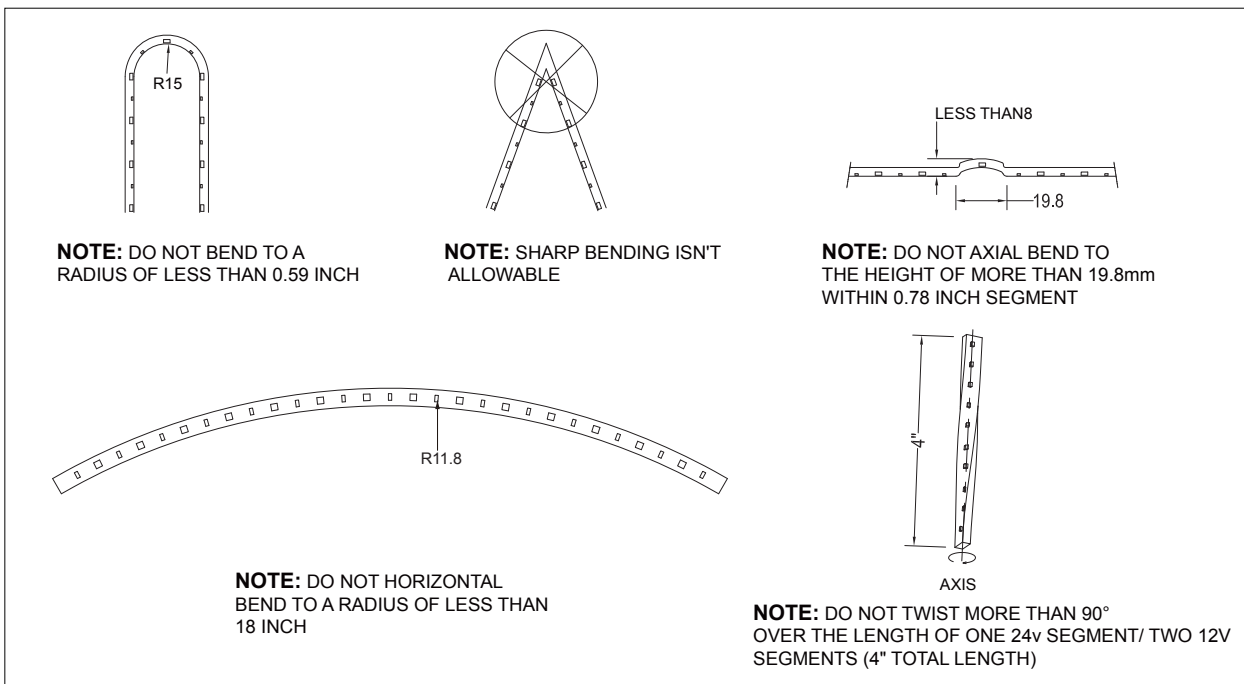
1. UNIT:MM(IN)
2. COLOR:WHITE
3. The back is pasted with 3M double-sided adhesive tape

**LED Strip Installation**

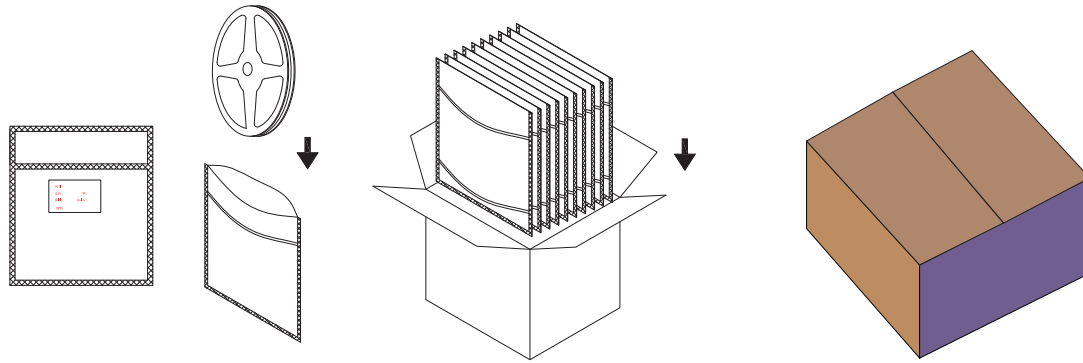


- a: use an angle greater or equal to 90 degrees when there is an LED chip on the corner while placing the strip in a concave position (Angle $\geq$ 90degree)
- b: use an angle greater or equal to 60 degrees when there is an LED chip on the corner while placing the strip in a concave position (Angle $\geq$ 60degree)
- c: use an angle greater or equal to 60 degrees when there is an LED chip on the corner while placing the strip in a concave position (Angle $\geq$ 60degree) In the convex position the angle should not reach 90 degrees .See above diagram.

**Maximum Flexibility Precaution**



## Product packaging



Model	Part number	box(pcs)	Net Weight/box	Gross Weight/box
1	AB-FG024RB-07812-XA1			