

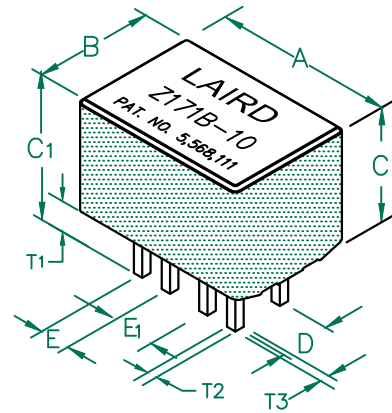
CM5740Z171B-10

PHYSICAL DIMENSIONS:

A	14.48 [.570]	+ 0.23 [.009]
B	10.03 [.395]	+ 0.15 [.006]
C	9.32 [.367]	+ 0.15 [.006]
C1	12.90 [.508]	MAX.
D	4.06 [.160]	+ 0.13 [.005]
E	2.54 [.100]	+ 0.13 [.005]
E1	3.43 [.135]	+ 0.13 [.005]

WIRE:

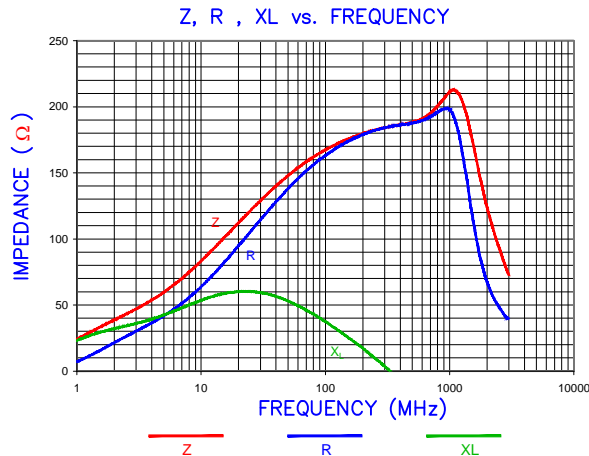
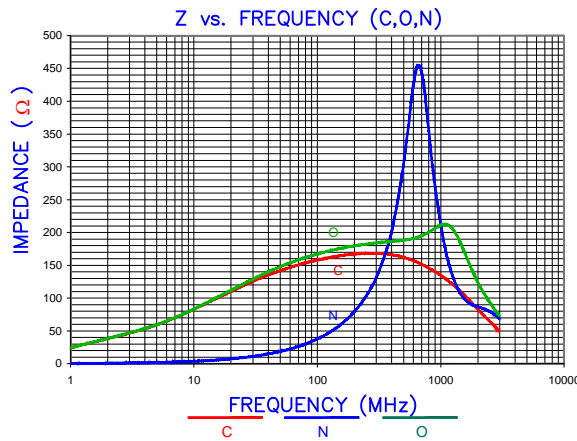
T1	3.12 [.123]	+ 0.25 [.010]
T2	0.76 [.030]	TYP.
T3	0.76 [.030]	TYP.



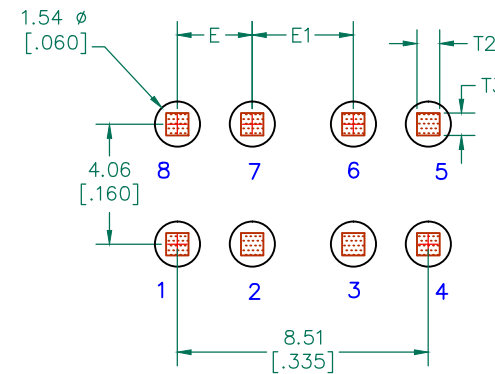
ELECTRICAL CHARACTERISTICS:		
Z @ 100MHz (Ω)	DCR (Ω)	Rated Current
Nominal	170	
Minimum	128	
Maximum	-	20,000 mA

NOTES: UNLESS OTHERWISE SPECIFIED

1. BULK PACKAGED, 825 PCS PER CASE.
2. COMPONENTS SHOULD BE ADEQUATELY PREHEATED BEFORE SOLDERING.
3. TERMINATION FINISH IS 100% TIN.
4. THIS PART HAS NO PIN POLARITY.
5. OPERATION TEMPERATURE (INCLUDING SELF-HEATING): -40 ~ +125°C.

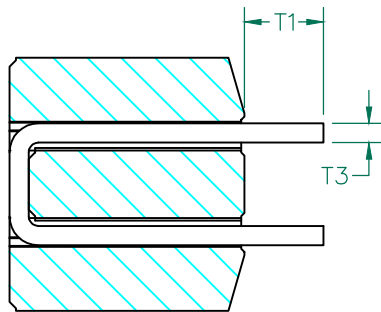
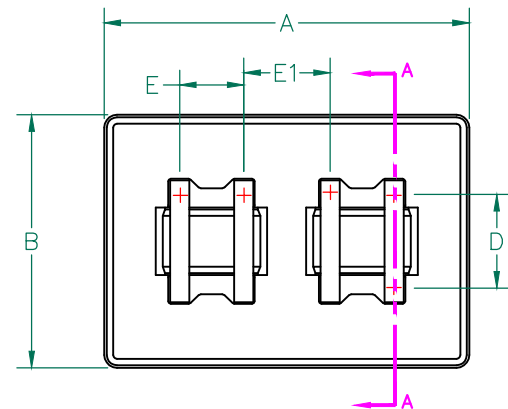
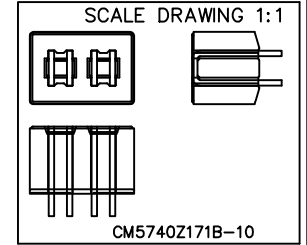


HOLE PATTERNS FOR WAVE SOLDERING

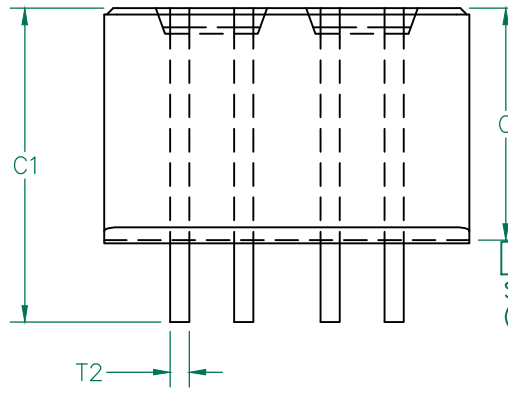


DIMENSIONS ARE IN mm (INCHES).				This print is the property of Laird Tech. and is loaned in confidence subject to return upon request and with the understanding that no copies shall be made without the written consent of Laird Tech. All rights to design or invention are reserved.		
D	ADD NOTE 5	07/24/13	QIU	PROJECT/PART NUMBER:	REV	PART TYPE:
C	JDATE COMPANY LOGO & KAPTON LABEL	11/13/08	JRK	CM5740Z171B-10	D	ASSEMBLY
B	CHG ISO VIEW UPDATE COMPANY LOGO	06/15/07	JRK	DATE:	SCALE:	SHEET:
A	ORIGINAL DRAFT	6/11/04	JRK	6/11/04	NTS	1 of 2
REV	DESCRIPTION	DATE	INT	CAD #	TOOL #	
				CM5740Z171B-10-D-1	H0570	





SECTION A-A



0.10 (.004)
SEATING PLANE
(CO-PLANARITY)



ELECTRICAL TESTING

	GROSS	GROSS
TEST:	Z	Z
# TURNS	1	1
AWG	22	22
FREQUENCY	25 MHz	100 MHz
NOMINAL	- Ω	170 Ω
MINIMUM	- Ω	128 Ω
WEIGHT/1000	5.85 kgs.	12.89lbs.

DIMENSIONS:

A	14.48 [.570]	+ 0.23 [.009]
B	10.03 [.395]	+ 0.15 [.006]
C	9.32 [.367]	+ 0.15 [.006]
C1	12.90 [.508]	MAX.
D	4.06 [.160]	+ 0.13 [.005]
E	2.54 [.100]	+ 0.13 [.005]
E1	3.43 [.135]	+ 0.13 [.005]

WIRE DIMENSIONS:

T1	3.12 [.123]	+ 0.25 [.010]
T2	0.76 [.030]	TYP.
T3	0.76 [.030]	TYP.

NOTES: UNLESS OTHERWISE SPECIFIED

1. WIRE: REFERENCE STEWARD WIRE PURCHASE SPEC. W0040-61.
2. IMPEDANCE VALUES ARE GROSS, MEASURED USING W0040-61 WIRE PLACED AGAINST END OF SLOT w/ NO D.C. BIAS.
3. REFERENCE STEWARD CORE 24H0570-600.
4. TERMINATION FINISH IS 100% TIN.
5. THIS PART HAS NO PIN POLARITY.

DIMENSIONS ARE IN mm (INCHES).				This print is the property of Laird Tech. and is loaned in confidence subject to return upon request and with the understanding that no copies shall be made without the written consent of Laird Tech. All rights to design or invention are reserved.		Laird	
D	ADD NOTE 5	07/24/13	QIU	PROJECT/PART NUMBER:	REV	PART TYPE:	DRAWN BY:
C	UPDATE COMPANY LOGO & KAPTON LABEL	11/13/08	JRK	CM5740Z171B-10	D	ASSEMBLY	JRK
B	CHG ISO VIEW UPDATE COMPANY LOGO	06/15/07	JRK	DATE:	SCALE:	NTS	SHEET:
A	ORIGINAL DRAFT	6/11/04	JRK	6/11/04			
REV	DESCRIPTION	DATE	INT	CAD #	TOOL #	H0570	2 of 2
				CM5740Z171B-10-D-2			