

RMF - RMH | Flat retaining magnets

female or male thread



- 1
- 2
- 3
- 4
- 5
- 6
- 7
- 8
- 9
- 10
- 11
- 12
- 13
- 14
- 15
- 16
- 17
- 18

MATERIAL

Zinc-plated steel threaded insert.

NO-SLIP COATING

Thermoplastic elastomer (TPE), hardness 80 Shore A.

STANDARD EXECUTION

(NdFeB) Neodymium-iron-boron retaining magnet, for temperatures up to 80°C.

- **RMF-ND-BK**: female thread with threaded hole, no-slip coating in RAL 9011 black colour.
 - **RMF-ND-WT**: female thread with threaded hole, no-slip coating in RAL 9016 white colour.
 - **RMH-ND-BK**: male thread, no-slip coating in RAL 9011 black colour.
 - **RMH-ND-WT**: male thread, no-slip coating in RAL 9016 white colour.
- See Guidelines for the choosing (on page 1180).

FEATURES AND APPLICATIONS

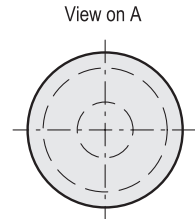
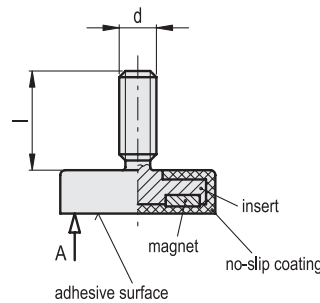
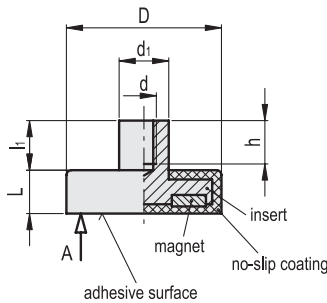
RMF-RMH flat retaining magnets are shielded magnetic systems with high performances and moderate overall dimensions.

The elastomer surface increases the friction coefficient when lateral retaining forces are present, giving a better adhesion. These magnets are preferably used for sensitive surfaces.



RMF-ND

RMH-ND



Conversion Table	
1 mm = 0.039 inch	
mm	inch
12	0.47
22	0.87
31	1.22
43	1.69
66	2.60
88	3.46

RMF-ND-BK

RMF-ND-WT



Code	Description	Code	Description	D	d	L	h	d1	l1	Nominal adhesive forces* [N]	⚖️
501501	RMF-ND-12-BK	501503	RMF-ND-12-WT	12	M4	7	6	8	8	13	6
501511	RMF-ND-22-BK	501513	RMF-ND-22-WT	22	M4	6	5	8	5.5	58	13
501521	RMF-ND-31-BK	501523	RMF-ND-31-WT	31	M4	6	5	8	5.5	89	22
501531	RMF-ND-43-BK	501533	RMF-ND-43-WT	43	M4	6	5	8	4.5	100	30
501541	RMF-ND-66-BK	501543	RMF-ND-66-WT	66	M5	8.5	8	10	6.5	250	105
501551	RMF-ND-88-BK	501553	RMF-ND-88-WT	88	M8	8.5	11	12	8.5	550	192

RMH-ND-BK

RMH-ND-WT

Code	Description	Code	Description	D	d	L	l	Nominal adhesive forces* [N]	⚖️
501691	RMH-ND-12-BK	501693	RMH-ND-12-WT	12	M4	7.5	8	13	4.5
501701	RMH-ND-22-BK	501703	RMH-ND-22-WT	22	M4	6	6.5	58	11
501711	RMH-ND-43-BK	501713	RMH-ND-43-WT	43	M6	6	15	100	32
501721	RMH-ND-66-BK	501723	RMH-ND-66-WT	66	M8	8.5	15	250	107
501731	RMH-ND-88-BK	501733	RMH-ND-88-WT	88	M8	8.5	15	550	193

* The values of the nominal adhesive forces are approximate and refer to magnetic properties observed on laboratory samples.