



Electrical specifications

Center frequency: 60 MHz
3 dB Bandwidth: \approx 12 MHz
Return Loss: 15 db min@60 MHz
Rejection 1: 60 dB@45 MHz
Rejection 2: 60 dB@75 MHz
Impedance: 50 Ohm

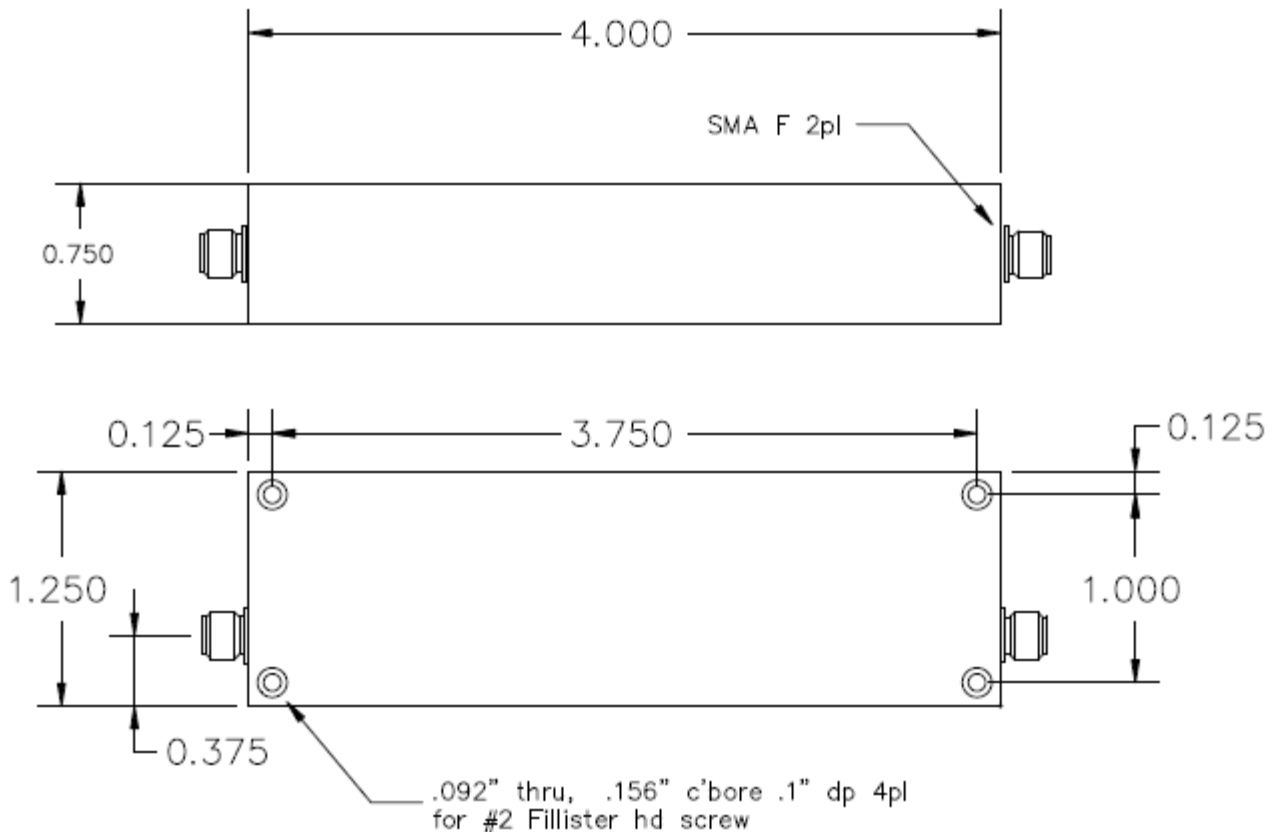
Mechanical

Mounting Method: Thru Mounting Holes
Connector Type: SMA Female
Dimensions: 4.00" X 1.25" X 0.75" in

Environmental

Operating Temperature: -45 to +85° C
Storage Temperature: -55 to +95° C
Shock: 20 G. 11ms
Vibration: 20 G. 5 to 200 MHz

Outline Drawing:



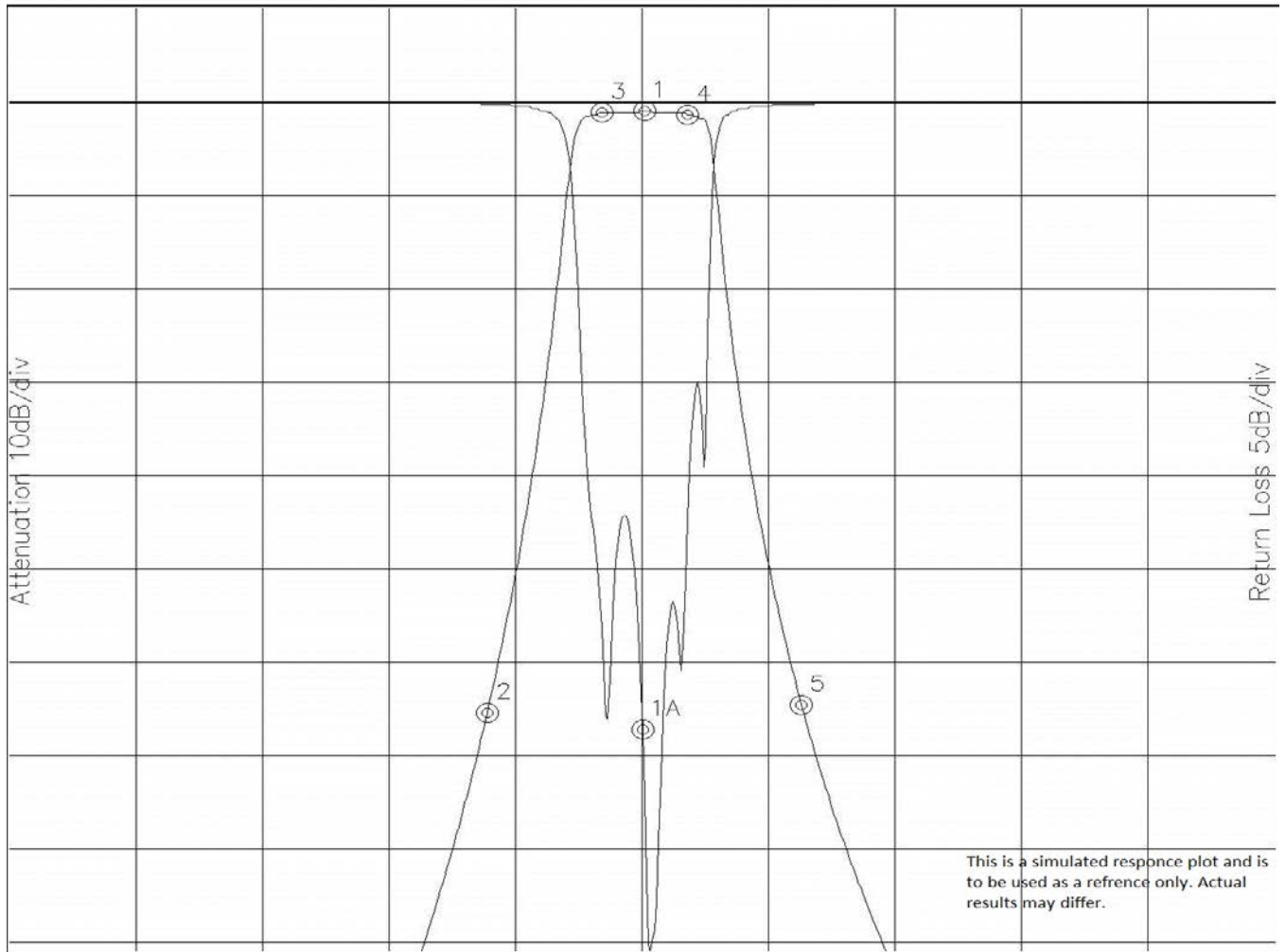


Plots:

A403.lad

DEC 27, 2013

Attenuation/Return Loss



This is a simulated response plot and is to be used as a reference only. Actual results may differ.

Attenuation Start: 0.012Hz Stop: 120.0MHz

Return Loss Start: 0.012Hz Stop: 120.0MHz

Marker 1 Freq 60.097MHz Atten -0.973dB
 Marker 2 Freq 45.170MHz Atten -65.113dB
 Marker 3 Freq 56.026MHz Atten -1.156dB
 Marker 4 Freq 64.168MHz Atten -1.232dB
 Marker 5 Freq 75.024MHz Atten -64.387dB

Marker 1A Freq 59.903MHz Ret Loss -33.482dB