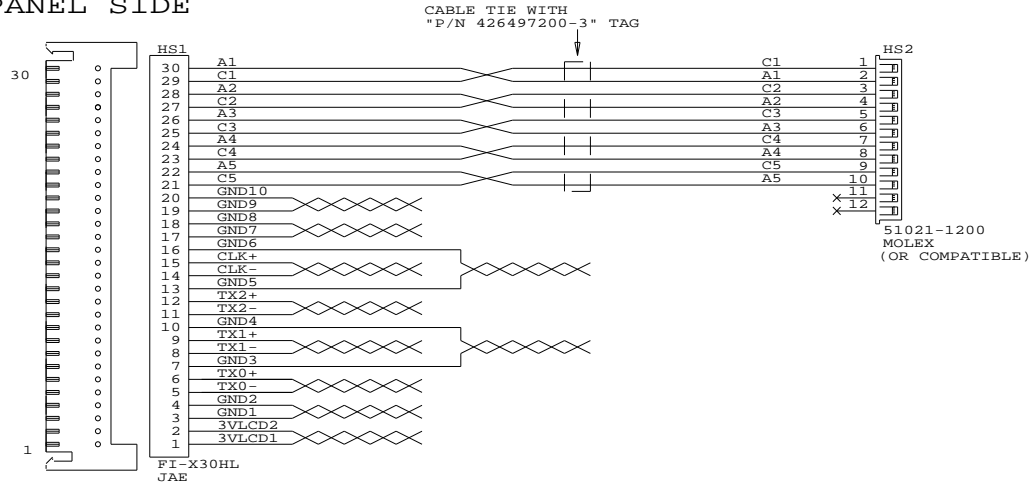
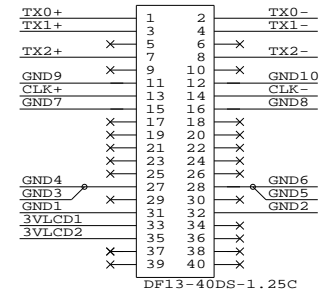


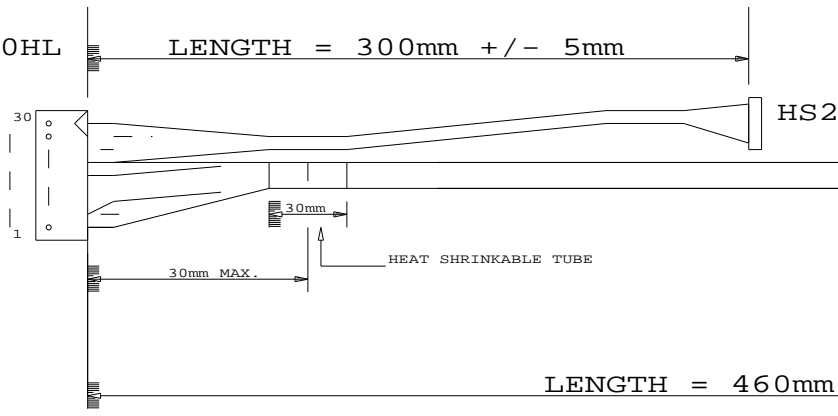
PANEL SIDE



TOLERANCE:  
+10mm  
-10mm

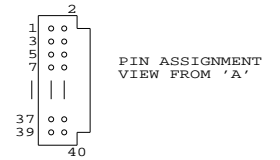


JAE  
FI-X30HL  
HS1



HEAT SHRINKABLE TUBE

DF13-40DS-1.25C  
HIROSE



VIEW 'A'

- CABLE(HS1, PIN1-20) : UL 20276, 10 PAIRS, 30AWG, L=460mm JACKET: PVC COLOR BLACK
- CABLE(HS1, PIN21,23,25,27&29): UL 1061, 30AWG, BLACK
- CABLE(HS1, PIN22,24,26,28,30): UL 1061, 30AWG, RED

RoHS  
COMPLIANCE

USAGE: FOR CONTROLLER SVH-1920, SP-1600 AND ALR-1400

P/N 426497200-3  
LVDS PANEL CABLE: NEC NL10276BC24-19D, 460mm

|  |                                |              |
|--|--------------------------------|--------------|
| DIGITAL VIEW LTD.<br>COPYRIGHT 2008, ALL RIGHTS RESERVED<br>CONFIDENTIAL |                                |              |
| DRAWN BY: VICTOR NG  |                                |              |
| Title<br>LVDS CABLE: NEC NL10276BC24-19D, 460mm                          |                                |              |
| Size   | Document Number                | REV          |
| B  | (...\DV\DV_CABLE\C6497200.SCH) | 00           |
| Date:  | June 4, 2008                   | Sheet 1 of 1 |