

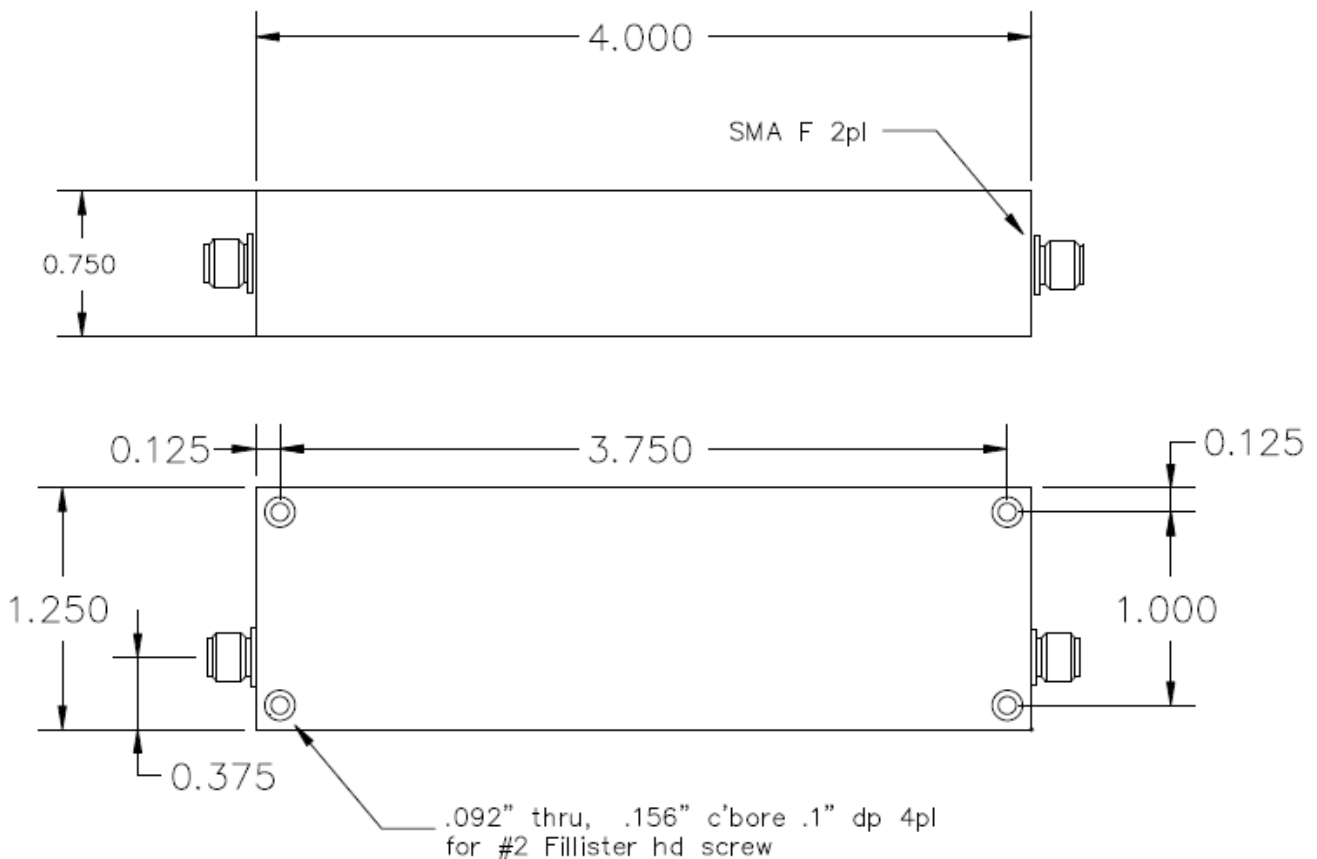


172 MHz Lowpass Filter

Part Number: AE172L8905

Insertion Loss:	<1 dB @ 107-172 MHz <3 dB @ 185 MHz
Return Loss:	>15 dB
Rejection:	>15 dB @ 215 MHz >50 dB @ 315-1500 MHz
Connector Type:	SMA (F)
Dimensions:	4 x 1.25 x 0.75 inches

Outline Drawing:

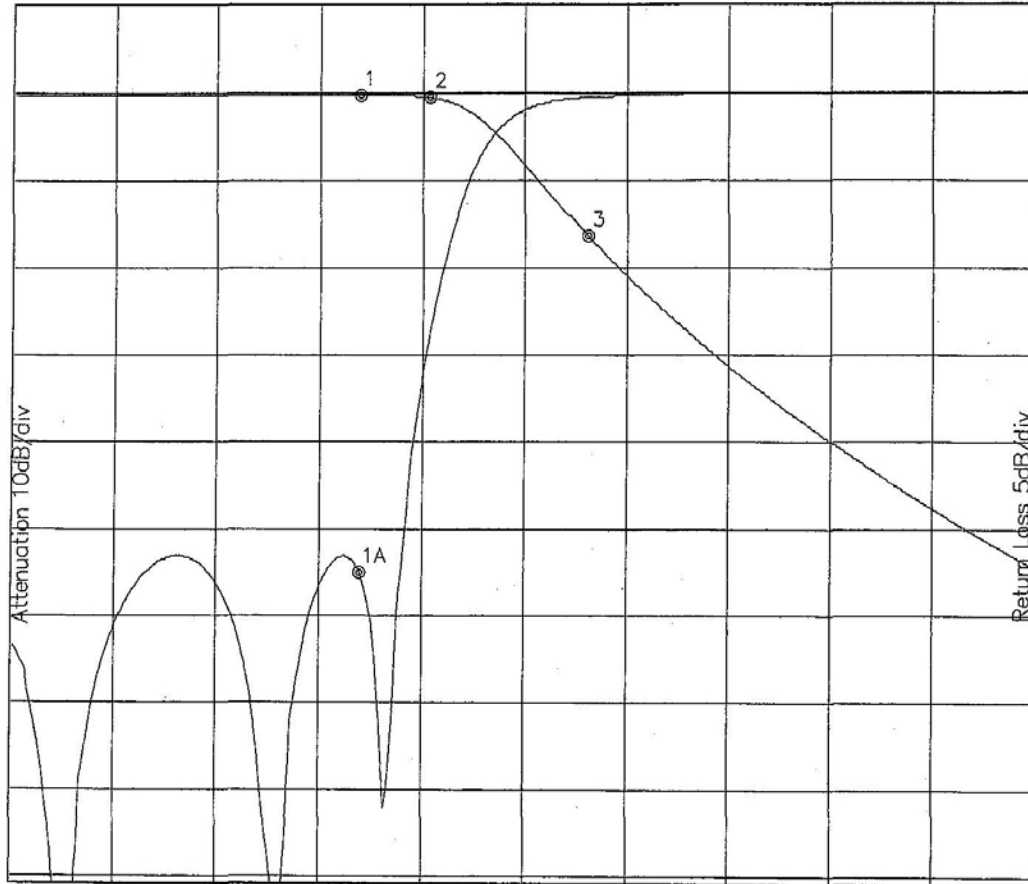




172 MHz Lowpass Filter

Part Number: AE172L8905

Response Plot:



Attenuation Start: 107.0MHz Stop: 300.0MHz

Return Loss Start: 107.0MHz Stop: 300.0MHz

Marker 1 Freq 172.16MHz Atten -0.221dB

Marker 1A Freq 172.16MHz Ret Loss -27.550dB

Marker 2 Freq 185.26MHz Atten -0.501dB

Marker 3 Freq 215.19MHz Atten -16.286dB