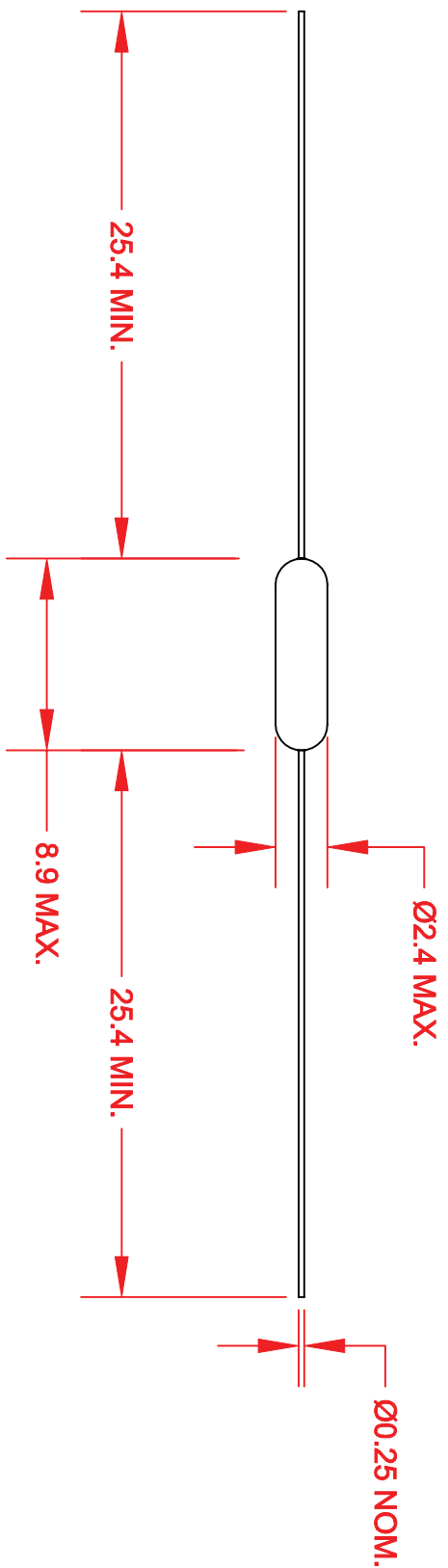


REV.	DESCRIPTION/ECO NO.	DATE
	RELEASED AND CANCEL	10/1/1/00
	7156, 6805	



JKL LAMP NUMBER	VOLTS RATED	AMPS ±10%	MSCP ±25%	LUMENS ±25%	AVERAGE LIFE HRS.	FILAMENT TYPE
6835	5.0	.060	.050	0.63	100,000	C-8
7135	5.0	.075	.090	1.13	25,000	C-8
7155	5.0	.115	.150	1.89	40,000	C-8

<p><b>METRIC</b></p>		<p>DIMENSIONS ARE IN MILLIMETERS</p>	
<p>THIRD ANGLE PROJECTION</p>		<p>TOLERANCE UNLESS OTHERWISE SPECIFIED</p>	
<p>1 PL. +/- 0.2</p>		<p>2 PL. +/- 0.20</p>	
<p>ANGLE +/- 0</p>		<p>DATE</p>	
<p>DRAWN BY L. WENGSTROM</p>	<p>APPR'D BY Q.C.</p>	<p>DATE 10/1/1/00</p>	<p>DATE 10/1/1/00</p>
<p>- CAD DRAWING - MANUAL REVISIONS NOT PERMITTED</p>			
<p><b>JKL COMPONENTS CORPORATION</b></p>			
<p>TITLE T-3/4 STANDARD AXIAL LEAD LAMP</p>			
<p>SCALE NONE</p>	<p>SIZE A</p>	<p>FIG. NO. 55335</p>	<p>DRAWING NO. AXIAL STANDARD T-3/4</p>
<p>RELEASED DATE 10/1/1/00</p>	<p>REVISION DATE</p>	<p>REV. NO.</p>	<p>SHEET 1 OF 1</p>