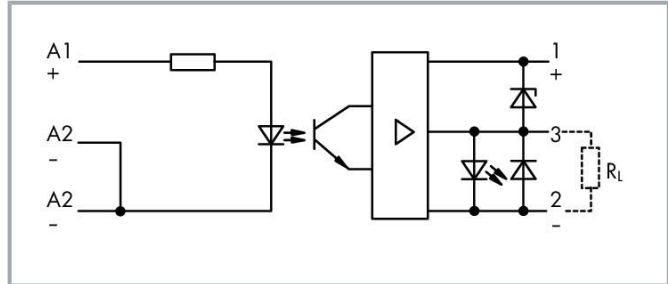


**Data sheet | Item number: 286-723**

Optocoupler module; Nominal input voltage: 24 VDC; Output voltage range: 15 ... 30 VDC; Limiting continuous current: 4 A; 3-wire connection/high-side switching; Red status indicator; Module width: 15 mm; gray



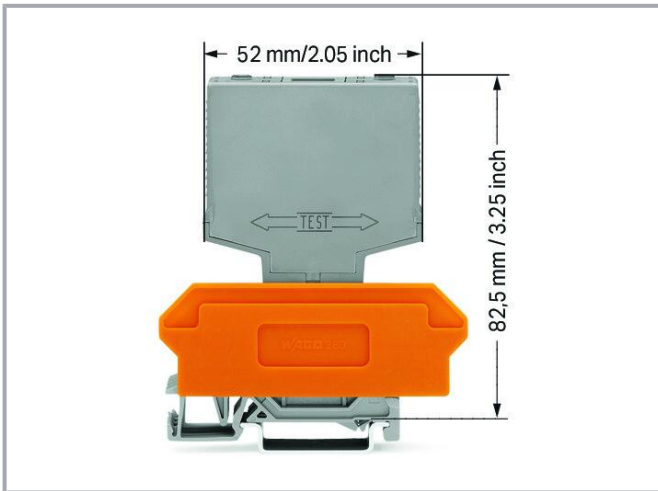
[www.wago.com/286-723](http://www.wago.com/286-723)



Subject to changes. Please also observe the further product documentation!

WAGO GmbH & Co. KG  
Hansastr. 27  
32423 Minden  
Phone: +49571 887-0 | Fax: +49571 887-169  
Email: [info.de@wago.com](mailto:info.de@wago.com) | Web: [www.wago.com](http://www.wago.com)

Do you have any questions about our products?  
We are always happy to take your call at +49 (571) 887-44222.



## Data

### Technical data

#### Control Circuit

Nominal input voltage $U_N$	DC 24 V
Input voltage range (high level)	DC 15 ... 30 V
Nominal input current at $U_N$	14 mA
Input current range	7.6 ... 15 mA

#### Load circuit

Circuit type	3-wire connection High-side switching
Limiting continuous current	4 A
Nominal output voltage	DC 24 V
Output voltage range	DC 20 ... 30 V
Voltage drop at output (max.)	$\leq$ DC 1.2 V
Leakage current at rated voltage	$\leq$ 2 $\mu$ A
Output closed-circuit current (without load) max.	12 mA
Turn-on time	$\leq$ 15 $\mu$ s
Turn-off time	$\leq$ 25 $\mu$ s
Switching frequency	$\leq$ 2.5 kHz

Subject to changes. Please also observe the further product documentation!



## Signaling

Status indicator	Red LED
------------------	---------

## Safety and protection

Pollution degree	2
Dielectric strength (control/load circuit) (AC, 1 min)	2.5 kVrms
Protection type	IP20

## Physical data

Width	15 mm / 0.591 inches
Height from upper-edge of DIN-rail	82.5 mm / 3.25 inches
Depth	52 mm / 2.047 inches

## Mechanical data

Mounting type	Pluggable module for receptacle terminal blocks
---------------	---

## Material Data

Color	gray
Fire load	0.346 MJ
Weight	26.8 g

## Environmental requirements

Ambient temperature (operation at $U_N$ )	-25 ... +40 °C
Ambient temperature (storage)	-25 ... +40 °C
Processing temperature	-25 ... +50 °C
Relative humidity	5 ... 95 % (no condensation permissible)
Operating altitude (max.)	2000 m

## Standards and specifications

Standards/specifications	EN 60664-1
--------------------------	------------

## Commercial data

Product Group	6 (INTERFACE ELECTRONIC)
eCl@ss 10.0	27-26-15-03

Subject to changes. Please also observe the further product documentation!



eCl@ss 9.0	27-26-15-03
ETIM 8.0	EC001504
ETIM 7.0	EC001504
PU (SPU)	15 (1) pcs
Packaging type	Box
Country of origin	DE
GTIN	4045454413682
Customs tariff number	85365005000

## Environmental Product Compliance

CAS-No.	7439-92-1 79-94-7
REACH Candidate List Substance	2,2',6,6'-tetrabromo-4,4'-isopropylidenediphenol Lead
RoHS Compliance Status	Compliant,With Exemption
RoHS Exemption	7(a) 7(c)-I 7(c)-II
SCIP notification number (Austria)	3420c7d7-f720-4f7d-8420-8786d3640c98
SCIP notification number (Belgium)	01df022f-45e8-4d1c-962a-c67b99be2c82
SCIP notification number (Bulgaria)	3ed285bd-5ec5-47f3-b7a9-6df49d6fdb2d
SCIP notification number (Czech Republic)	84e7d960-677f-43bf-99ff-8fc4f49751db
SCIP notification number (Denmark)	b367a75b-cc54-45ef-ad5d-e1f3472a2f35
SCIP notification number (Finland)	ee3d777f-8c2e-48b2-bd2b-b04a02452748
SCIP notification number (France)	34171ae5-ccdf-41b1-80d3-3bacd1aa04f2
SCIP notification number (Germany)	cd6c3e4a-6fdb-4bff-9a80-18f4d35351f8
SCIP notification number (Hungary)	584c708d-e46c-4371-95d9-74f4b7521fce
SCIP notification number (Italy)	96d5dbe9-4688-443f-b60d-adcb99974ed2
SCIP notification number (Netherlands)	8ea23df2-70a7-4462-b7c0-48661e982c2f
SCIP notification number (Poland)	13f1f332-95eb-4de4-a2d1-a1c9b44823fd
SCIP notification number (Romania)	f8219242-ec3f-48e6-9dc5-99a2d4a92680
SCIP notification number (Sweden)	31b6e551-b00f-4b62-a812-b719ec71811c

## Approvals / Certificates

### General approvals

Logo	Approval	Additional Approval Text	Certificate name
	<b>EAC</b> Brjansker Zertifizierungsstelle	TP TC 020/2011	EAC_Certificate_RU_C- DE.AM02.B.00115_19

Subject to changes. Please also observe the further product documentation!

WAGO GmbH & Co. KG  
Hansastr. 27  
32423 Minden  
Phone: +49571 887-0 | Fax: +49571 887-169  
Email: [info.de@wago.com](mailto:info.de@wago.com) | Web: [www.wago.com](http://www.wago.com)

Do you have any questions about our products?  
We are always happy to take your call at +49 (571) 887-44222.



## Optional accessories

### Marking accessories

Marker



**Item no.: 209-701**

WSB marking card; as card; not stretchable; plain; snap-on type; white

[www.wago.com/209-701](http://www.wago.com/209-701)

### Terminal blocks

Terminal block for pluggable modules



**Item no.: 280-619**

Terminal block for pluggable modules; 6-pole; with 2-conductor terminal blocks; with orange separator; [www.wago.com/280-619](http://www.wago.com/280-619) for DIN-rail 35 x 15 and 35 x 7.5; 2.5 mm<sup>2</sup>; CAGE CLAMP®; 2,50 mm<sup>2</sup>; gray



**Item no.: 280-609**

Terminal block for pluggable modules; 6-pole; with 4-conductor terminal blocks; with orange separator; [www.wago.com/280-609](http://www.wago.com/280-609) for DIN-rail 35 x 15 and 35 x 7.5; 2.5 mm<sup>2</sup>; CAGE CLAMP®; 2,50 mm<sup>2</sup>; gray



**Item no.: 280-763**

Terminal block for pluggable modules; 6-pole; with 4-conductor terminal blocks; with marker carrier; [www.wago.com/280-763](http://www.wago.com/280-763) with orange separator; for DIN-rail 35 x 15 and 35 x 7.5; 2.5 mm<sup>2</sup>; CAGE CLAMP®; 2,50 mm<sup>2</sup>; gray

## Downloads

### Documentation

#### Bid Text

286-723 docx - Datei	2019 Feb 20	docx 15.7 kB	Download
-------------------------	-------------	-----------------	----------

286-723 X81 - Datei	2019 Feb 19	xml 3.9 kB	Download
------------------------	-------------	---------------	----------

#### Instruction Leaflet

		pdf 1.3 MB	Download
--	--	---------------	----------

#### Additional Information

Disposal and Recycling Electrical and electronic equipment, Batteries, Packaging	V 1.1.0 2022 Aug 18	pdf 2.2 MB	Download
---	------------------------	---------------	----------

Subject to changes. Please also observe the further product documentation!

WAGO GmbH & Co. KG  
Hansastr. 27  
32423 Minden  
Phone: +49571 887-0 | Fax: +49571 887-169  
Email: [info.de@wago.com](mailto:info.de@wago.com) | Web: [www.wago.com](http://www.wago.com)

Do you have any questions about our products?  
We are always happy to take your call at +49 (571) 887-44222.

## CAD/CAE-Data

### CAE data

WSCAD Universe 286-723

[URL](#)

[Download](#)

## Environmental Product Compliance

### Compliance Search

Environmental Product Compliance 286-723

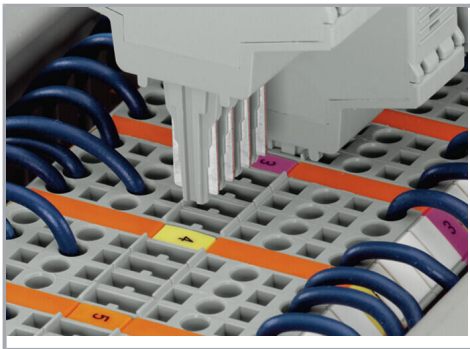
[URL](#)

[Download](#)

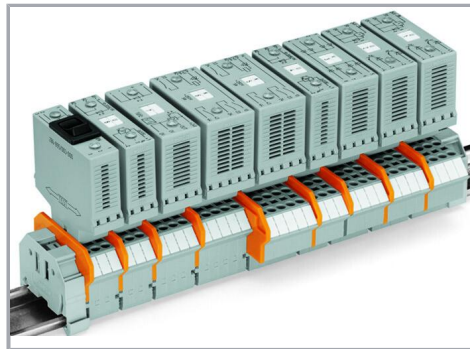
Optocoupler module; Nominal input voltage: 24 VDC; Output voltage range: 15 ... 30 VDC; Limiting continuous current: 4 A; 3-wire connection/high-side switching; Red status indicator; Module width: 15 mm; gray

## Installation Notes

### Installation



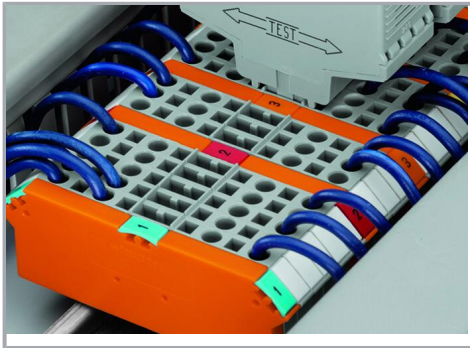
Coding ensures correct polarity.



Pluggable electronic modules on 2- or 4-conductor carrier terminal blocks

### Marking

Subject to changes. Please also observe the further product documentation!



Marking via WMB Multi Marking System.

### Testing



Function testing via touch-proof test slots

Subject to changes. Please also observe the further product documentation!