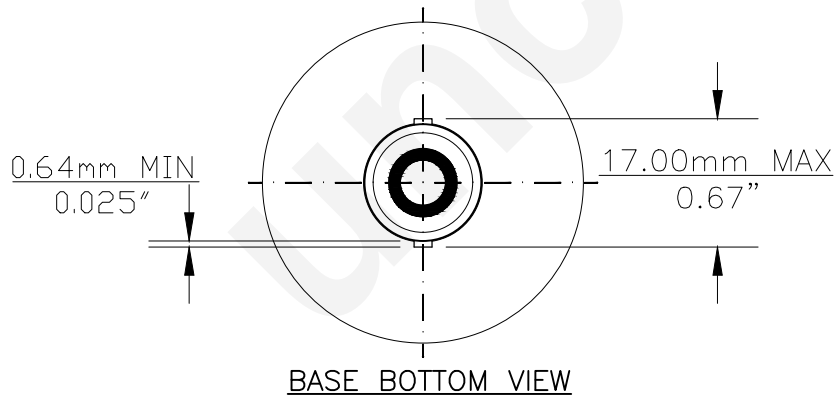
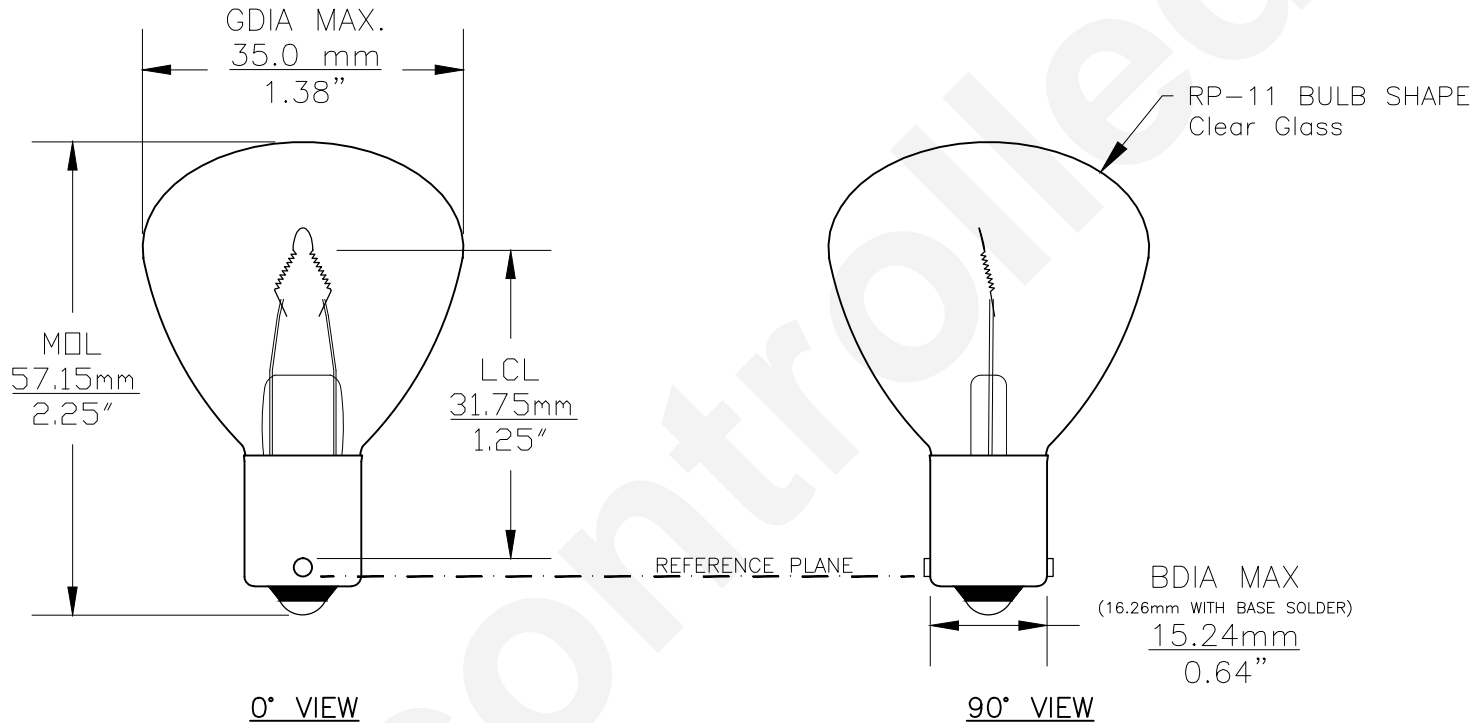




Since 1959

| PART NO. | BASE TYPE            | DESIGN VOLTS | DESIGN AMPS | MSCD    | FILAMENT TYPE | AVERAGE LIFE HOURS | REVISIONS |             |            |          |
|----------|----------------------|--------------|-------------|---------|---------------|--------------------|-----------|-------------|------------|----------|
|          |                      |              |             |         |               |                    | REV #     | DESCRIPTION | DATE       | APPROVED |
| 1183     | S.C. Bayonet (BA15s) | 5.5V         | 6.25±15%    | 50 ±20% | C-2V          | 100                | 1         | ISSUED      | 11/04/2014 | R.M.     |
|          |                      |              |             |         |               |                    |           |             |            |          |
|          |                      |              |             |         |               |                    |           |             |            |          |



Note: Made according to SAE specifications



|   |         |                           |               |                        |              |
|---|---------|---------------------------|---------------|------------------------|--------------|
| UNLESS OTHERWISE SPECIFIED:<br>DIMENSIONS ARE IN INCHES<br>TOLERANCES |         | CEC INDUSTRIES LTD        |               |                        |              |
| DECIMALS  | ANGULAR | 599 BOND STREET           |               | LINCOLNSHIRE, IL 60069 |              |
| .XX ± .05   | ± 0.5°  | TITLE LIGHT BULB NO. 1183 |               |                        |              |
| .XXX ± .010   |         | SIZE A                    | FSCM NO.      | DWG NO. 1183           | REV 1        |
| FRACTIONAL  | ±1/64   | DESIGN                    | SCALE         | PLOT SCALE             | SHEET 1 OF 1 |
| DRAWN ROSE MEDINA DATE 11/04/2014                                     |         | MATERIAL                  | FILE 1183.pdf | DRAWING NOT TO SCALE   |              |