

600V, 40A, Trench FS II IGBT

General Description:

Using RECTRON's proprietary trench design and advanced FS (field stop) second generation technology, the 600V Trench FS II IGBT offers superior conduction and switching performances, and easy parallel operation;

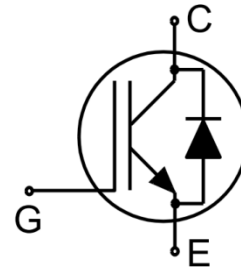
Features

Trench FSII Technology offering

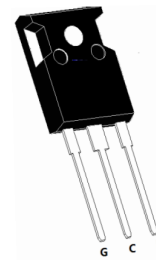
- Very low $V_{CE(sat)}$
- High speed switching
- Positive temperature coefficient in $V_{CE(sat)}$
- Very tight parameter distribution
- High ruggedness, temperature stable behavior

Application

- Uninterruptible Power Supplies (UPS)
- Welding Converters
- Inverters



Schematic diagram



TO-247-3L top view

Package Marking and Ordering Information

Device	V_{CE}	I_C	Device Marking	Device Package
RM40N600T7	600V	40A	40N600	TO-247-3L

Absolute Maximum Ratings (TC=25°C unless otherwise noted)

Symbol	Parameter	Rating	Units
V_{CES}	Collector-Emitter Voltage	600	V
V_{GES}	Gate- Emitter Voltage	±30	V
I_C	Collector Current	80	A
	Collector Current @ $T_C = 100\text{ }^\circ\text{C}$	40	A
I_{CM}	Pulsed Collector Current	160	A
I_F	Diode Continuous Forward Current @ $T_C = 100\text{ }^\circ\text{C}$	40	A
I_{FM}	Diode Maximum Forward Current	150	A
	Power Dissipation @ $T_C = 25\text{ }^\circ\text{C}$	306	W
P_D	Power Dissipation @ $T_C = 100\text{ }^\circ\text{C}$	122	W
	Operating Junction and Storage Temperature Range	-55 to +150	°C
T_L	Maximum Temperature for Soldering	260	°C
t_{sc}	Short circuit withstand time $V_{GE}=15.0\text{V}$, $V_{CC}\leq 400\text{V}$, Allowed number of short circuits<1000Time between short circuits: $\geq 1.0\text{s}$, $T_{vj}\leq 150\text{ }^\circ\text{C}$	10	us

Thermal Characteristic

Symbol	Parameter	Typ.	Max.	Units
R _{θJC}	Thermal Resistance, Junction to case for IGBT	--	0.41	°C/W
R _{θJC}	Thermal Resistance, Junction to case for Diode	--	1.45	°C/W
R _{θJA}	Thermal Resistance, Junction to Ambient	--	40	°C/W

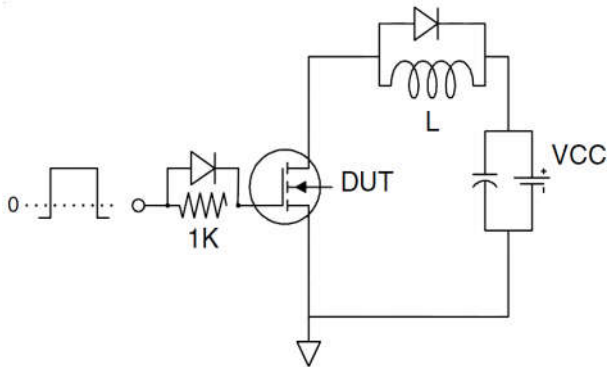
Electrical Characteristics (T_C=25°C unless otherwise noted)

Symbol	Parameter	Test Conditions	Rating			Units
			Min.	Typ.	Max.	
OFF Characteristics						
V _{(BR)CES}	Collector-Emitter Breakdown Voltage	V _{GE} =0V, I _{CE} =1mA	600	--	--	V
I _{CES}	Collector-Emitter Leakage Current	V _{GE} =0V, V _{CE} =600V	--	--	4	µA
I _{GES(F)}	Gate to Emitter Forward Leakage	V _{GE} =+30V, V _{CE} =0V	--	--	100	nA
I _{GES(R)}	Gate to Source Reverse Leakage	V _{GE} =-30V, V _{CE} =0V	--	--	100	nA
ON Characteristics						
V _{CE(sat)}	Collector-Emitter Saturation Voltage	I _C =40A, V _{GE} =15V	--	1.85	2.0	V
V _{GE(th)}	Gate Threshold Voltage	I _C =1mA, V _{CE} =V _{GE}	4.0	5.0	6.0	V
Dynamic Characteristics						
C _{ies}	Input Capacitance	V _{CE} =25V, V _{GE} =0V, f=1MHz	--	1530	--	pF
C _{oes}	Output Capacitance		--	158	--	
C _{res}	Reverse Transfer Capacitance		--	60	--	
Q _{Gate}	Gate charge	V _{CC} =480V, I _C =40A V _{GE} =15V	--	149	--	nC
I _{C(SC)}	Short circuit collector current Max.1000 short circuits Time between short circuits: ≥1.0s	V _{GE} =15V, V _{CC} ≤400V, t _{SC} ≤10µs, T _J ≤150°C	--	242	--	A
Switching Characteristics						
t _{d(ON)}	Turn-on Delay Time	V _{CE} =400V, I _C =40A V _{GE} =0/15V, R _g =10Ω Inductive Load	--	21	--	ns
t _r	Rise Time		--	34	--	
t _{d(OFF)}	Turn-Off Delay Time		--	203	--	
t _f	Fall Time		--	23	--	
E _{on}	Turn-On Switching Loss		--	1.12	--	mJ
E _{off}	Turn-Off Switching Loss		--	0.61	--	
E _{ts}	Total Switching Loss		--	1.73	--	

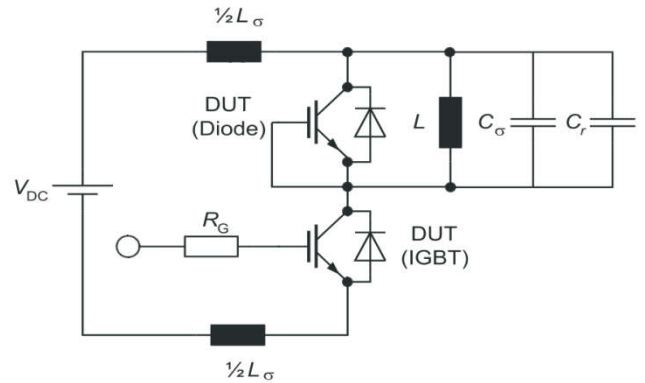
Electrical Characteristics of the Diode (T_C= 25°C unless otherwise specified) :

Symbol	Parameter	Test Conditions	Rating			Units
			Min.	Typ.	Max.	
V _{FM}	Diode Forward Voltage	I _F =40A	--	--	2.0	V
T _{rr}	Reverse Recovery Time	I _F =40A, di/dt=1000A/µS	--	151	--	ns
I _{RRM}	Diode Peak Reverse Recovery Current		--	15.5	--	A
Q _{rr}	Reverse Recovery Charge		--	1.23	--	µC
Pulse width t _{tp} ≤380µs, δ≤2%						

1) Gate Charge Test Circuit

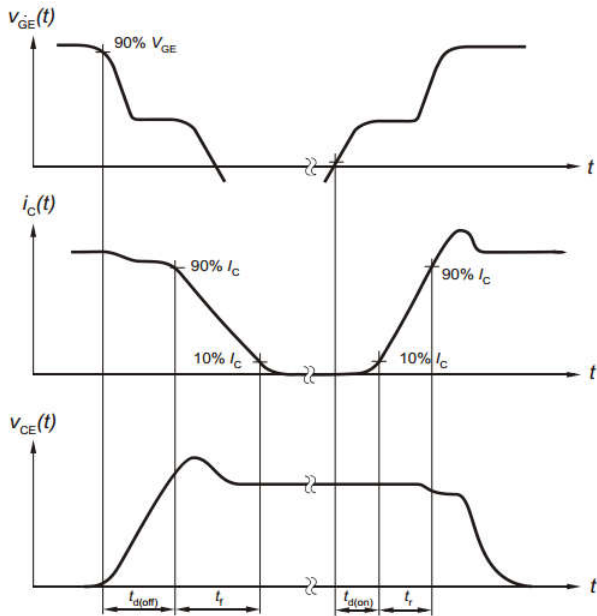


2) Switch Time Test Circuit

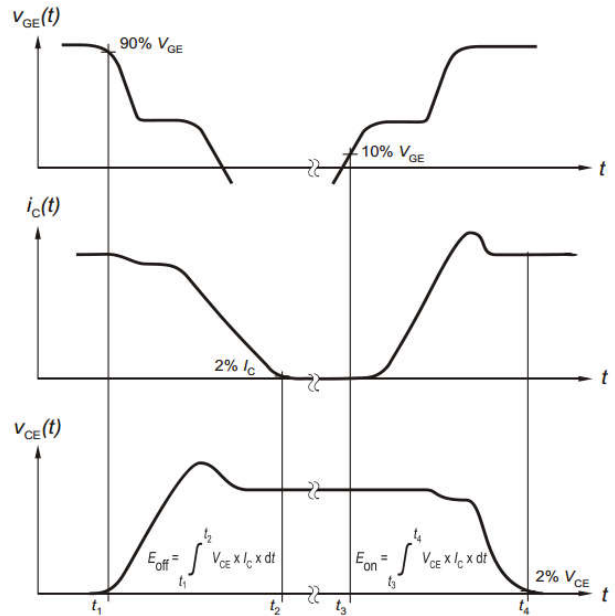


Switching characteristics

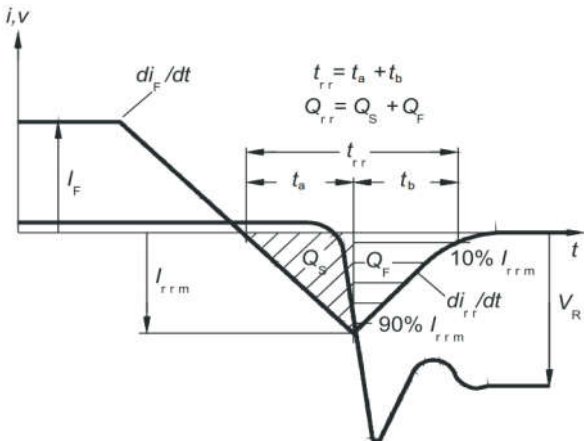
1) definition of switching times



2) definition of switching losses



3) Definition of diode switching characteristics



RATING AND CHARACTERISTICS CURVES (RM40N600T7)

Figure 1 Output Characteristics

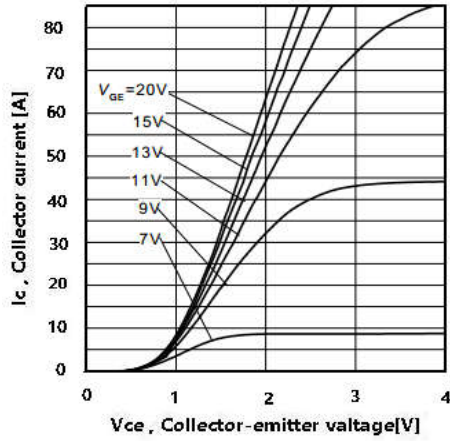


Figure 2. Transfer Characteristics

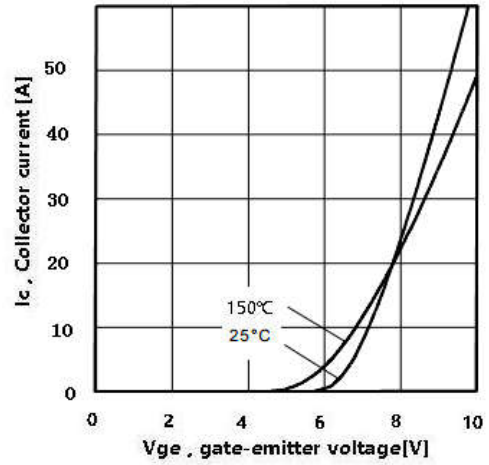


Figure 3 V_{CEsat} vs. Case Temperature

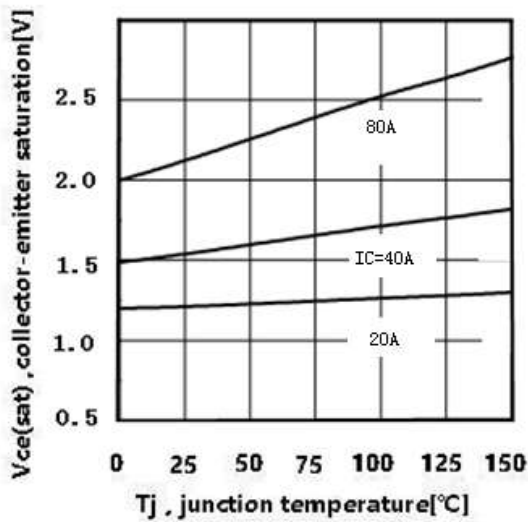


Figure 4 Saturation Voltage vs. VGE

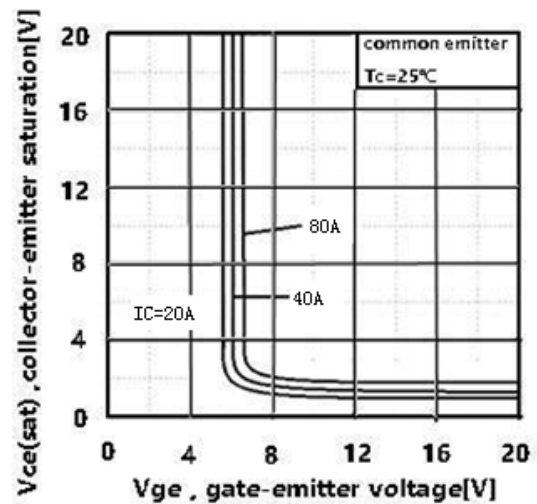


Figure 5 Capacitance Characteristics

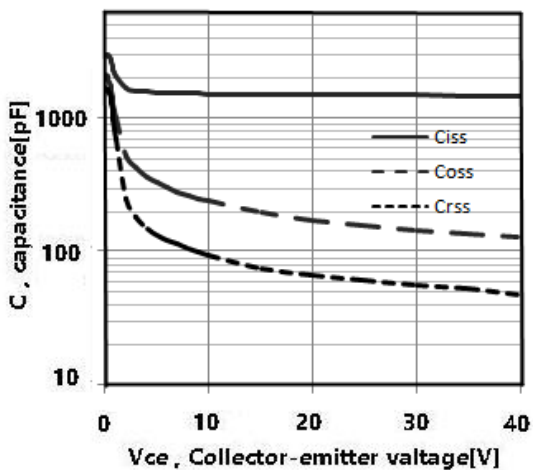
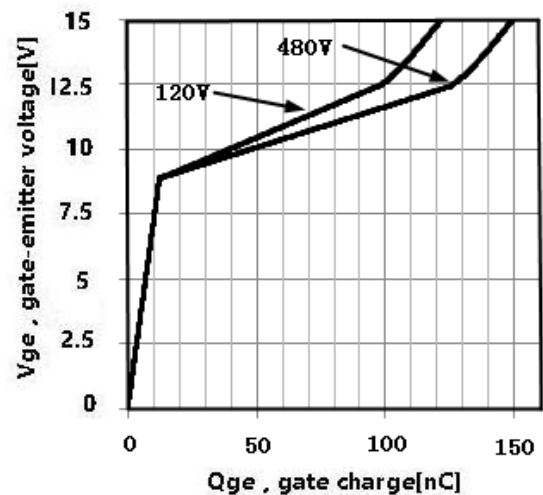


Figure 6 Gate charge waveform



RATING AND CHARACTERISTICS CURVES (RM40N600T7)

Figure 7. Forward Characteristics

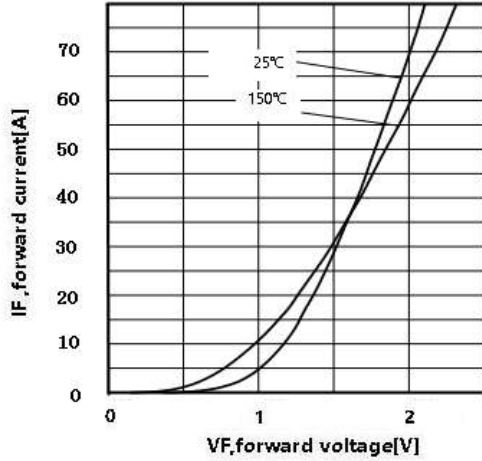


Figure 8 V_F vs. temperature

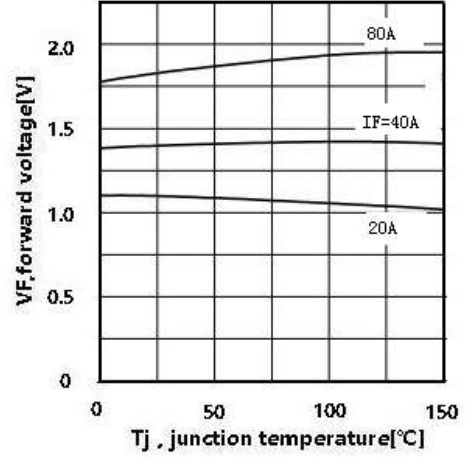
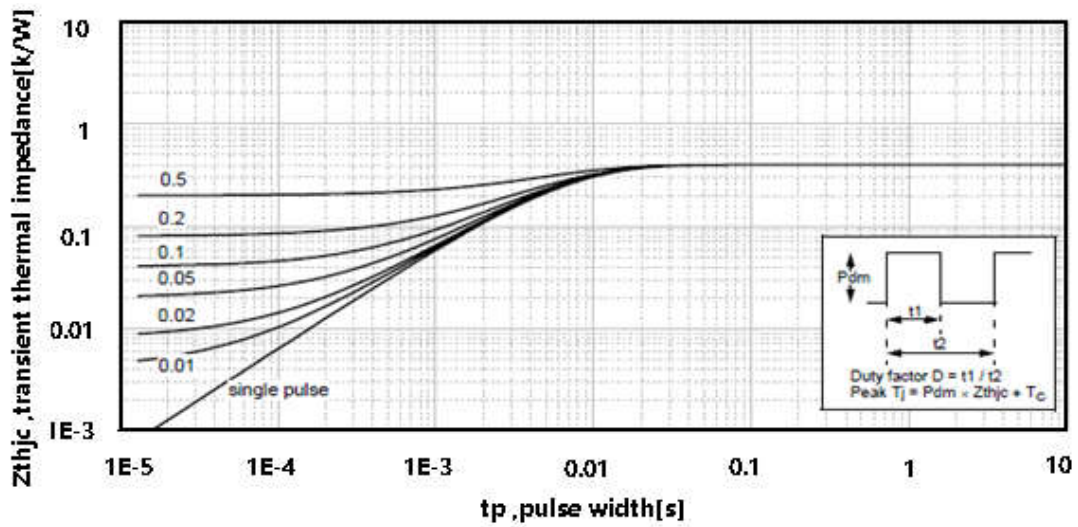
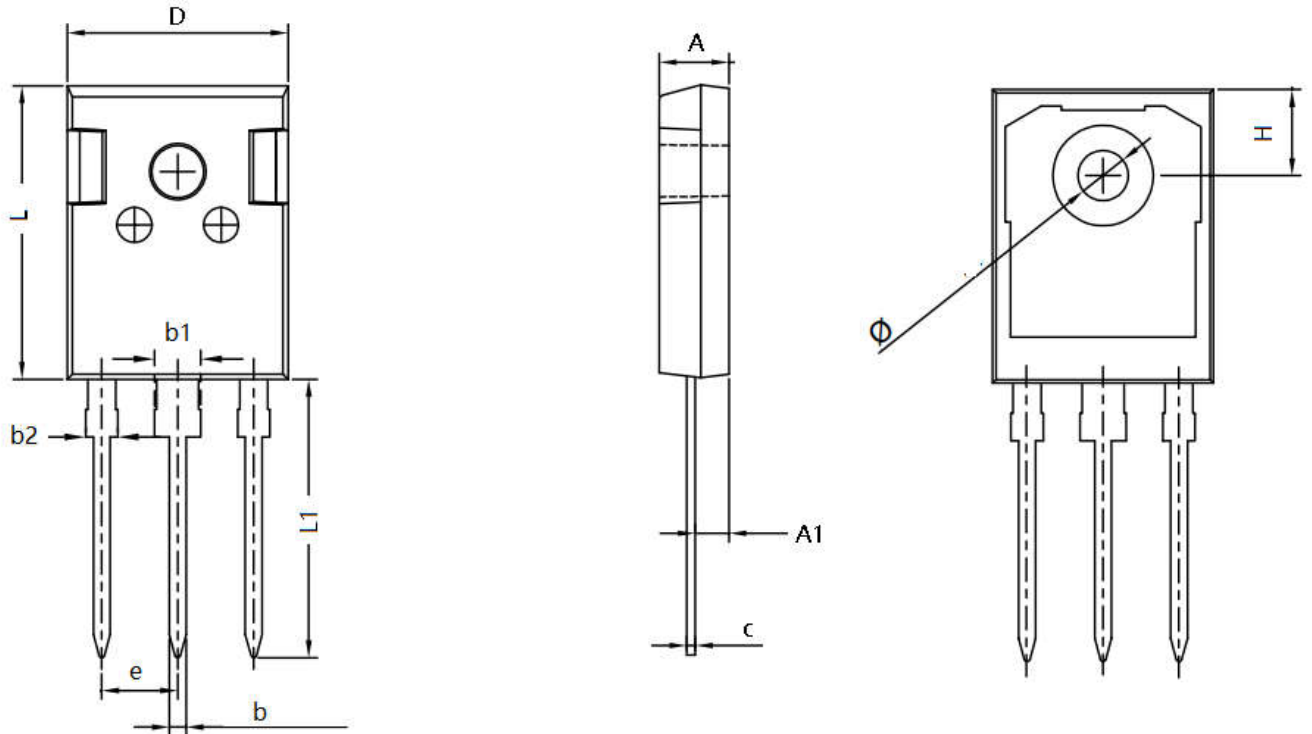


Figure 9. Transient Thermal Impedance of IGBT



TO-247-3L Package Information



Symbol	Dimensions In Millimeters		Dimensions In Inches	
	Min.	Max.	Min.	Max.
A	4.800	5.200	0.189	0.205
A1	2.210	2.610	0.087	0.103
b	1.700	1.900	0.067	0.075
b1	2.800	3.200	0.110	0.126
b2	1.800	2.200	0.071	0.087
c	0.500	0.700	0.020	0.028
D	15.600	16.000	0.614	0.630
L	20.800	21.200	0.819	0.835
L1	19.620	20.220	0.772	0.796
Φ	3.450	3.750	0.136	0.148
e	5.440 TYP		0.214 TYP	
H	6.150 REF		0.242 REF	

DISCLAIMER NOTICE

Rectron Inc reserves the right to make changes without notice to any product specification herein, to make corrections, modifications, enhancements or other changes. Rectron Inc or anyone on its behalf assumes no responsibility or liability for any errors or inaccuracies. Data sheet specifications and its information contained are intended to provide a product description only. "Typical" parameters which may be included on RECTRON data sheets and/ or specifications can and do vary in different applications and actual performance may vary over time. Rectron Inc does not assume any liability arising out of the application or use of any product or circuit.

Rectron products are not designed, intended or authorized for use in medical, life-saving implant or other applications intended for life-sustaining or other related applications where a failure or malfunction of component or circuitry may directly or indirectly cause injury or threaten a life without expressed written approval of Rectron Inc. Customers using or selling Rectron components for use in such applications do so at their own risk and shall agree to fully indemnify Rectron Inc and its subsidiaries harmless against all claims, damages and expenditures.