



The Connor-Winfield Corporation
2111 Comprehensive Drive
Aurora, Illinois 60505
Phone: (630) 851-4722
Fax: (630) 851-5040
<http://www.conwin.com>

PRODUCT/ PROCESS CHANGE NOTICE

Number: 1909-1
Date: 7/24/19
ECO#: 11144
ECO Ref.: (Class: 3 Notification)

Effective Date: Starting implementation upon next build of D75F-019.44M

Change Category: Change in Existing Product Design/Component Parts

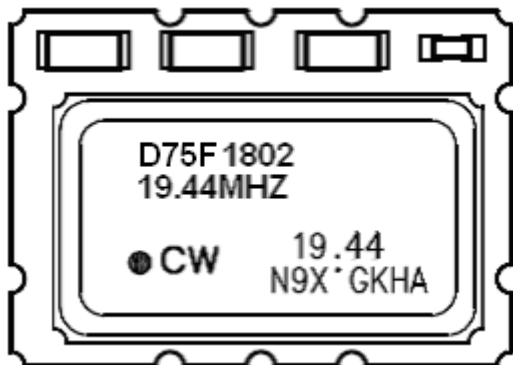
Change Description: 1) Component (quartz crystal) size change from 5x3.2mm to 3.2x2.5mm.
2) Addition of ceramic adapter substrate to accommodate the smaller crystal footprint.
3) Change analog compensation IC to updated version.

Reason for Change: These changes are for enhanced component availability, device manufacturability, and performance improvement.

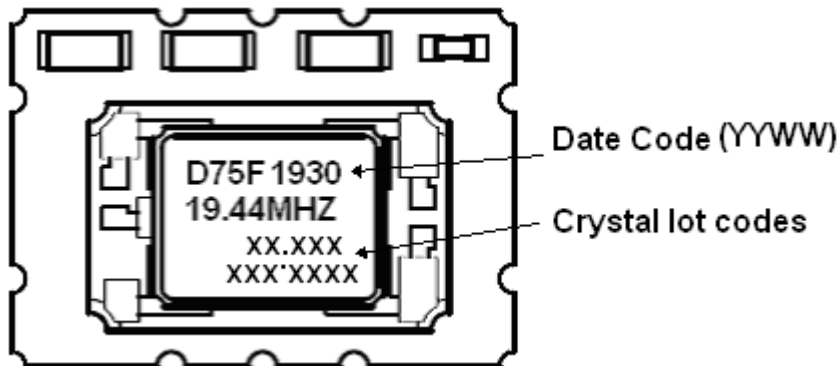
Products Affected: D75F-019.44M

Effect on Product Performance: 1) Electrical performance of the part does change with minor improvements to phase noise and temperature stability. 2) Due to the addition of the ceramic adapter substrate, the product height increases from 2.0mm to 2.4mm max. 3) Due to the smaller area available for part number and date code marking, the format of the marking does change slightly.

Original configuration (2.0mm height):



New Configuration 2.4mm height:



Change Impact:

Product part number will remain the same.

CHANGEOVER PROCESS: Any date code after 1930 will incorporate the changes described in this PCN.

Test SAMPLES Available: X Yes No

Test DATA Available: X Yes No

Connor-Winfield Contact Person: Ken Olp, Engineering Mgr 630-851-4722 Ext 5511, kolp@conwin.com

CUSTOMER RESPONSE

This PCN requires customer notification only. Please use this form if necessary to respond and direct to the attention of the contact person at Connor-Winfield Corporation.

If Unacceptable, Explain:

Customer Contact:

Telephone:

Email
