

# Mercury+ XU8 SoC Module

## User Manual

### Purpose

The purpose of this document is to present the characteristics of Mercury+ XU8 SoC module to the user, and to provide the user with a comprehensive guide to understanding and using the Mercury+ XU8 SoC module.

### Summary

This document first gives an overview of the Mercury+ XU8 SoC module followed by a detailed description of its features and configuration options. In addition, references to other useful documents are included.

Product Information	Code	Name
Product	ME-XU8	Mercury+ XU8 SoC Module

Document Information	Reference	Version	Date
Reference / Version / Date	D-0000-454-001	07	16.02.2021

Approval Information	Name	Position	Date
Written by	DIUN, MMOS	Design Engineer	03.09.2018
Verified by	GKOE, RPAU	Design Expert	10.09.2018
Approved by	DIUN	Manager, BU SP	16.02.2021

## Copyright Reminder

Copyright 2021 by Enclustra GmbH, Switzerland. All rights are reserved.

Unauthorized duplication of this document, in whole or in part, by any means is prohibited without the prior written permission of Enclustra GmbH, Switzerland.

Although Enclustra GmbH believes that the information included in this publication is correct as of the date of publication, Enclustra GmbH reserves the right to make changes at any time without notice.

All information in this document is strictly confidential and may only be published by Enclustra GmbH, Switzerland.

All referenced trademarks are the property of their respective owners.

## Document History

Version	Date	Author	Comment
07	16.02.2021	DIUN	Added information on Mercury heatsinks, added Mercury+ ST1 to accessories section, added information on FPGA fuses and warranty, on differential I/Os, on voltage monitoring outputs, removed 15 Gbps limitation on MGTs due to Hirose connector, other style updates
06	18.11.2019	MMOS	Added article codes for revision 2.1 modules and information on PCIe PERST# signal
05	25.07.2019	DIUN	Added information on new variants, on power supplies, corrected supported voltage range for VCC_BAT, corrected minimum MDIO clock frequency, corrected DDR PL performance, corrected module dimensions, other style updates
04	10.05.2019	DIUN	Added information on revision 2 modules and on RGMII skews, added information on Linux how-to guide, corrected power synchronization frequency domain and duty cycle
03	19.12.2018	DIUN	Added information on revision 1.1 modules, updated heat sink information
02	30.11.2018	DIUN	Added information on voltage monitoring, heat sink, and corrected power synchronization frequency domain
01	12.09.2018	DIUN	Version 01, preliminary

## Table of Contents

<b>1</b>	<b>Overview</b>	<b>6</b>
1.1	General	6
1.1.1	Introduction	6
1.1.2	Warranty	6
1.1.3	RoHS	6
1.1.4	Disposal and WEEE	6
1.1.5	Safety Recommendations and Warnings	6
1.1.6	Electrostatic Discharge	7
1.1.7	Electromagnetic Compatibility	7
1.2	Features	7
1.3	Deliverables	8
1.4	Accessories	8
1.4.1	Reference Design	8
1.4.2	Enclustra Build Environment	8
1.4.3	Enclustra Heat Sink	9
1.4.4	Mercury+ PE1 Base Board	9
1.4.5	Mercury+ ST1 Base Board	9
1.5	Xilinx Tool Support	10
<b>2</b>	<b>Module Description</b>	<b>11</b>
2.1	Block Diagram	11
2.2	Module Configuration and Product Codes	12
2.3	Article Numbers and Article Codes	13
2.4	Top and Bottom Views	14
2.4.1	Top View	14
2.4.2	Bottom View	14
2.5	Top and Bottom Assembly Drawings	15
2.5.1	Top Assembly Drawing	15
2.5.2	Bottom Assembly Drawing	15
2.6	Module Footprint	16
2.7	Mechanical Data	16
2.8	Module Connector	17
2.9	User I/O	18
2.9.1	Pinout	18
2.9.2	I/O Pin Exceptions	19
2.9.3	Differential I/Os	20
2.9.4	I/O Banks	21
2.9.5	VCC_IO Usage	22
2.9.6	Signal Terminations	23
2.9.7	Multiplexed I/O (MIO) Pins	23
2.9.8	Analog Inputs	24
2.10	Multi-Gigabit Transceiver (MGT)	25
2.11	Power	27
2.11.1	Power Generation Overview	27
2.11.2	Power Enable/Power Good	29
2.11.3	Voltage Supply Inputs	30
2.11.4	Voltage Supply Outputs	30
2.11.5	Power Consumption	31
2.11.6	Heat Dissipation	31
2.11.7	Voltage Monitoring	32
2.12	Clock Generation	32
2.13	Reset	33
2.14	LEDs	34
2.15	DDR4 SDRAM (PS)	34

2.15.1	DDR4 SDRAM Type	34
2.15.2	Signal Description	35
2.15.3	Termination	35
2.15.4	Parameters	35
2.16	DDR4 SDRAM (PL)	36
2.16.1	DDR4 SDRAM Type	37
2.16.2	Signal Description	37
2.16.3	Termination	37
2.16.4	Parameters	37
2.17	QSPI Flash	38
2.17.1	QSPI Flash Type	38
2.17.2	Signal Description	38
2.17.3	Configuration	39
2.17.4	QSPI Flash Corruption Risk	39
2.18	eMMC Flash	39
2.18.1	eMMC Flash Type	39
2.18.2	Signal Description	40
2.19	SD Card	40
2.20	Dual Gigabit Ethernet	40
2.20.1	Ethernet PHY Type	40
2.20.2	Signal Description	40
2.20.3	External Connectivity	41
2.20.4	MDIO Address	41
2.20.5	PHY Configuration	41
2.20.6	RGMII Delays Configuration	42
2.21	USB 2.0	42
2.21.1	USB PHY Type	42
2.21.2	Signal Description	43
2.22	USB 3.0	43
2.23	Display Port	44
2.24	Real-Time Clock (RTC)	44
2.25	Secure EEPROM	44
2.25.1	EEPROM Type	44
<b>3</b>	<b>Device Configuration</b>	<b>45</b>
3.1	Configuration Signals	45
3.2	Module Connector C Detection	46
3.3	Pull-Up During Configuration	46
3.4	Power-on Reset Delay Override	47
3.5	Boot Mode	47
3.6	JTAG	48
3.6.1	JTAG on Module Connector	48
3.6.2	External Connectivity	49
3.6.3	JTAG Boot Mode	49
3.7	eMMC Boot Mode	50
3.8	QSPI Boot Mode	50
3.9	SD Card Boot Mode	50
3.10	eMMC Flash Programming	50
3.11	QSPI Flash Programming via JTAG	50
3.12	QSPI Flash Programming from an External SPI Master	51
3.13	Enclustra Module Configuration Tool	51
<b>4</b>	<b>I2C Communication</b>	<b>52</b>
4.1	Overview	52
4.2	Signal Description	52
4.3	I2C Address Map	52

4.4	Secure EEPROM . . . . .	53
4.4.1	Memory Map . . . . .	53
<b>5</b>	<b>Operating Conditions</b>	<b>56</b>
5.1	Absolute Maximum Ratings . . . . .	56
5.2	Recommended Operating Conditions . . . . .	57
<b>6</b>	<b>Ordering and Support</b>	<b>58</b>
6.1	Ordering . . . . .	58
6.2	Support . . . . .	58

# 1 Overview

## 1.1 General

### 1.1.1 Introduction

The Mercury+ XU8 SoC module combines the Xilinx Zynq® UltraScale+ MPSoC (Multiprocessor System-on-Chip) device with USB 3.0, PCIe® Gen3 ×16, PCIe® Gen2 ×4, two USB 2.0 PHYs, two Gigabit Ethernet PHYs, DDR4 SDRAM with Error Correction Code (ECC), eMMC flash, multi-gigabit transceivers, high-speed LVDS I/O, and is available in industrial temperature range, forming a complete and powerful embedded processing system.

The use of the Mercury+ XU8 SoC module, in contrast to building a custom MPSoC hardware, significantly reduces development effort and redesign risk and improves time-to-market for the embedded system.

Together with Mercury+ base boards, the Mercury+ XU8 SoC module allows the user to quickly build a system prototype and start with application development.

The Enclustra Build Environment [14] is available for the Mercury+ XU8 SoC module. This build system allows the user to quickly set up and run Linux on any Enclustra SoC module. It allows the user to choose the desired target and download all the required binaries, such as bitstream and FSBL (First Stage Boot Loader). It downloads and compiles all required software, such as U-Boot, Linux, and BusyBox based root file system.

### 1.1.2 Warranty

Please refer to the General Business Conditions, available on the Enclustra website [1].

#### Warning!

*Please note that the warranty of an Enclustra module is voided if the FPGA fuses are blown. This operation is done at own risk, as it is irreversible. Enclustra cannot test the module in case of a warranty product return.*

### 1.1.3 RoHS

The Mercury+ XU8 SoC module is designed and produced according to the Restriction of Hazardous Substances (RoHS) Directive (2011/65/EC).

### 1.1.4 Disposal and WEEE

The Mercury+ XU8 SoC module must be properly disposed of at the end of its life.

The Waste Electrical and Electronic Equipment (WEEE) Directive (2002/96/EC) is not applicable for the Mercury+ XU8 SoC module.

### 1.1.5 Safety Recommendations and Warnings

Mercury+ modules are not designed to be “ready for operation” for the end-user. These can only be used in combination with suitable base boards. Proper configuration of the hardware before usage is required.

Ensure that the power supply is disconnected from the board before inserting or removing the Mercury+ XU8 SoC module, connecting interfaces, or connecting jumpers.

Touching the capacitors of the DC-DC converters can lead to voltage peaks and permanent damage; over-voltage on power or signal lines can also cause permanent damage to the module.

### Warning!

*It is possible to mount the Mercury+ XU8 SoC module the wrong way round on the base board - always check that the mounting holes on the base board are aligned with the mounting holes of the Mercury+ XU8 SoC module.*

*The base board and module may be damaged if the module is mounted the wrong way round and powered up.*

## 1.1.6 Electrostatic Discharge

Electronic boards are sensitive to electrostatic discharge (ESD). Please ensure that the product is handled with care and only in an ESD-protected environment.

## 1.1.7 Electromagnetic Compatibility

The Mercury+ XU8 SoC module is a Class A product (as defined in IEC 61000-3-2 standard) and is not intended for use in domestic environments. The product may cause electromagnetic interference, for which appropriate measures must be taken.

## 1.2 Features

- Xilinx Zynq® UltraScale+™ MPSoC
  - XCZU4CG/XCZU5EV/XCZU7EV device
  - FBVB900 package
  - Dual-/Quad-core ARM® Cortex™-A53 MPCore™ up to 1.333 GHz
  - Dual-core ARM® Cortex™-R5 MPCore™ up to 533 MHz
  - Mali-400 MP2 GPU (not for CG variants)
  - H.264 / H.265 Video Codec (only for EV variants)
  - Xilinx 16nm FinFET+ FPGA fabric
- 236 user I/Os
  - 14 ARM peripheral I/Os (SPI, SDIO, CAN, I2C, UART)
  - 122 FPGA I/Os (single-ended, differential or analog)
    - 74 HP I/Os
      - 50 I/Os up to 1.8 V
      - 20 I/Os at 1.2 V (fixed voltage)
      - 4 I/Os up to 3.3 V (routed via level shifters)
    - 48 HD I/Os (up to 3.3 V)
  - 100 MGT signals (clock and data)
    - 80 GTH MGT signals
    - 20 GTR MGT signals
- *Speedgrade 1 devices*: 16 GTH MGTs @ 12.5 Gbit/sec and 8 reference input clock differential pairs
- *Other devices*: 16 GTH MGTs @ 16.375 Gbit/sec and 8 reference input clock differential pairs
- PCIe Gen3 ×16 (Xilinx built-in PCIe integrated block using GTH lines)
- 4 GTR MGTs @ 6 Gbit/sec and 2 reference input clock differential pairs
- PCIe Gen2 ×4 (Xilinx built-in PCIe hard block using GTR lines)
- Up to 4 GB DDR4 SDRAM with ECC on PS side
- Up to 2 GB DDR4 SDRAM on PL side
- 64 MB quad SPI flash

- 16 GB eMMC flash
- 2 × Gigabit Ethernet PHY (one PHY shared with one of the USB PHYs)
- 2 × USB 2.0 PHYs
  - PHY0 configured as host or device
  - PHY1 configured as host (shared with one of the Gigabit Ethernet PHYs)
- USB 3.0 (Xilinx built-in USB 3.0 hard block using GTR lines)
- Real-time clock
- CAN, UART, SPI, I2C, SDIO/MMC
- 5 to 15 V supply voltage

## 1.3 Deliverables

- Mercury+ XU8 SoC module
- Mercury+ XU8 SoC module documentation, available via download:
  - Mercury+ XU8 SoC Module User Manual (this document)
  - Mercury+ XU8 SoC Module Reference Design [2]
  - Mercury+ XU8 SoC Module IO Net Length Excel Sheet [3]
  - Mercury+ XU8 SoC Module FPGA Pinout Excel Sheet [4]
  - Mercury+ XU8 SoC Module User Schematics (PDF) [5]
  - Mercury+ XU8 SoC Module Known Issues and Changes [6]
  - Mercury+ XU8 SoC Module Footprint (Altium, Eagle, Orcad and PADS) [7]
  - Mercury+ XU8 SoC Module 3D Model (PDF) [8]
  - Mercury+ XU8 SoC Module STEP 3D Model [9]
  - Mercury Mars Module Pin Connection Guidelines [10]
  - Mercury Master Pinout [11]
  - Mercury Heatsink Application Note [17]
  - Enclustra Build Environment [14] (Linux build environment; refer to Section 1.4.2 for details)
  - Enclustra Build Environment How-To Guide [15]

## 1.4 Accessories

### 1.4.1 Reference Design

The Mercury+ XU8 SoC module reference design features an example configuration for the Zynq Ultra-scale+ MPSoC device, together with an example top level HDL file for the user logic.

A number of software applications are available for the reference design, that show how to initialize the peripheral controllers and how to access the external devices. Pre-compiled binaries are included in the archive, so that the user can easily check that the hardware is functional.

The reference design can be downloaded from Github: <https://github.com/enclustra>.

### 1.4.2 Enclustra Build Environment

The Enclustra Build Environment (EBE) [14] enables the user to quickly set up and run Linux on any Enclustra SoC module or system board. It allows the user to choose the desired target, and download all the required binaries, such as bitstream and FSBL. It downloads and compiles all required software, such as U-Boot, Linux, and BusyBox based root file system.

The Enclustra Build Environment features a graphical user interface (GUI) and a command line interface (CLI) that facilitates the automatic build flow.

The Enclustra Build Environment How-To Guide [15] describes in more detail how to use the EBE to customize the provided software for the user application. The document provides information on the configuration



options for U-boot, Linux kernel and Buildroot, debugging possibilities for Linux applications, customization of device trees and integration of existing or new kernel drivers.

### 1.4.3 Enclustra Heat Sink

For Mercury modules an Enclustra heat sink is available for purchase along with the product. Please refer to section 2.11.6 for further information on the available cooling options.

### 1.4.4 Mercury+ PE1 Base Board

- 168-pin Hirose FX10 module connectors (PE1-200: 2 connectors; PE1-300/400: 3 connectors)
- System controller
- Power control
- System monitor (PE1-300/400)
- Current sense (PE1-300/400)
- Low-jitter clock generator (PE1-300/400)
- microSD card holder
- User EEPROM
- eMMC managed NAND flash (PE1-300/400)
- PCIe ×4 interface
- USB 3.0 device connector
- USB 2.0 host connector (PE1-200: 1 connector; PE1-300/400: 4 connectors)
- Micro USB 2.0 device (UART, SPI, I2C, JTAG) connector
- 2 × RJ45 Gigabit Ethernet connectors
- mPCIe/mSATA card holder (USB only) (PE1-300/400)
- SIM card holder (optional, PE1-300/400 only)
- SMA clock and data in/out (optional, PE1-300/400 only)
- 1 × FMC LPC connector (PE1-200)
- 1 × FMC HPC connector (PE1-300)
- 2 × FMC LPC connector (PE1-400)
- 2 × 40-pin Anios pin header
- 3 × 12-pin IO headers
- 5 to 15 V DC supply voltage
- USB bus power (with restrictions)

Please note that the available features depend on the equipped Mercury module type and on the selected base board variant.

#### Warning!

*Due to the pinout assignments (pin types and I/O voltage levels) on module connectors B and C, affecting the FMC interfaces, the compatibility of the Mercury+ XU8 SoC module to the Mercury+ PE1 base board is limited. It is recommended to check the FMC card pinout in detail with the Enclustra Mercury Master Pinout and with the module and base board schematics.*

### 1.4.5 Mercury+ ST1 Base Board

- 168-pin Hirose FX10 module connectors (3 connectors)
- 2 × MIPI D-PHY connectors: CSI and CSI/DSI (requires FPGA support)
- Mini DisplayPort connector (requires FPGA support)
- HDMI connector (requires FPGA support)
- SFP+ connector
- Low-jitter clock generator
- USB 3.0 device connector
- USB 3.0 host connector

- FTDI USB 2.0 device controller with micro USB device connector (UART, SPI, I2C, JTAG)
- 2 × RJ45 Gigabit Ethernet connectors
- 1 × FMC HPC connector (note: not all pins are available)
- 2 × 40-pin Anios pin header
- 3 × 12-pin IO headers
- microSD card holder
- 5 to 15 V DC supply voltage
- Form factor: 100 × 120 mm

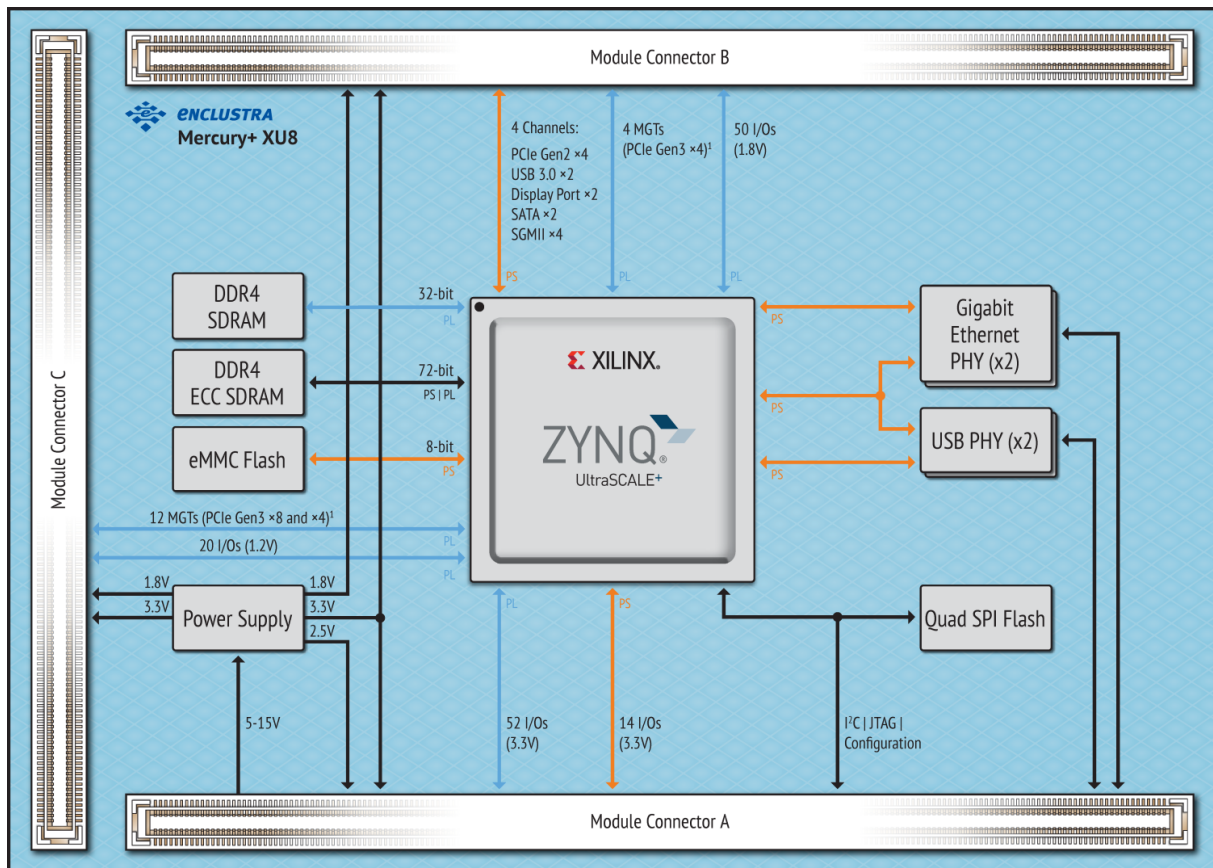
Please note that the available features depend on the equipped Mercury module type.

## **1.5 Xilinx Tool Support**

The MPSoC devices equipped on the Mercury+ XU8 SoC module are supported by the Vivado HL WebPACK Edition software, which is available free of charge. Please contact Xilinx for further information.

# 2 Module Description

## 2.1 Block Diagram



1: PCIe Gen3 x16 available at the system level by merging the MGTs from connectors B and C

Figure 1: Hardware Block Diagram

The main component of the Mercury+ XU8 SoC module is the Xilinx Zynq Ultrascale+ MPSoC device. Most of its I/O pins are connected to the Mercury+ module connector, making 136 regular user I/Os available to the user. Further, twenty MGT pairs are available on the module connector, making possible the implementation of several high-speed protocols such as PCIe Gen3  $\times 16$ , PCIe Gen2  $\times 4$  and USB 3.0 (simultaneous usage of all the interfaces is limited to the available hardware resources i.e. number of transceivers and lane mapping).

The MPSoC device can boot from the on-board QSPI flash, from the eMMC flash or from an external SD card. For development purposes, a JTAG interface is connected to Mercury module connector.

The available standard configurations include a 16 GB eMMC flash, a 64 MB quad SPI flash, up to 4 GB DDR4 SDRAM with ECC connected to the Processing System (PS) and up to 2 GB DDR4 SDRAM connected to the Programmable Logic (PL).

Further, the module is equipped with two Gigabit Ethernet PHYs and two USB 2.0 PHYs, making it ideal for communication applications.

A real-time clock is available on the Xilinx Zynq Ultrascale+ MPSoC device.

On-board clock generation is based on a 33.33 MHz crystal oscillator and a 100 MHz LVDS oscillator providing a clock for the PL and a reference clock for the MGT GTR lines. In addition to this, another 27 MHz oscillator delivers a reference clock for the MGT GTR lines.

The module's internal supply voltages are generated from a single input supply of 5 - 15 V DC. Some of these voltages are available on the Mercury module connectors to supply circuits on the base board.

Five LEDs are connected to the MPSoC pins for status signaling.

## 2.2 Module Configuration and Product Codes

Table 1 describes the available standard module configurations. Custom configurations are available; please contact Enclustra for further information.

Product Code	MPSoC	DDR4 ECC SDRAM (PS)	DDR4 SDRAM (PL)	Temperature Range
ME-XU8-4CG-1E-D11E	XCZU4CG-1FBVB900E	2 GB	1 GB	0 to +85° C
ME-XU8-5EV-1I-D12E	XCZU5EV-1FBVB900I	4 GB	2 GB	-40 to +85° C
ME-XU8-7EV-1E-D11E	XCZU7EV-1FBVB900E	2 GB	1 GB	0 to +85° C
ME-XU8-7EV-2I-D12E	XCZU7EV-2FBVB900I	4 GB	2 GB	-40 to +85° C

Table 1: Standard Module Configurations

The product code indicates the module type and main features. Figure 2 describes the fields within the product code.

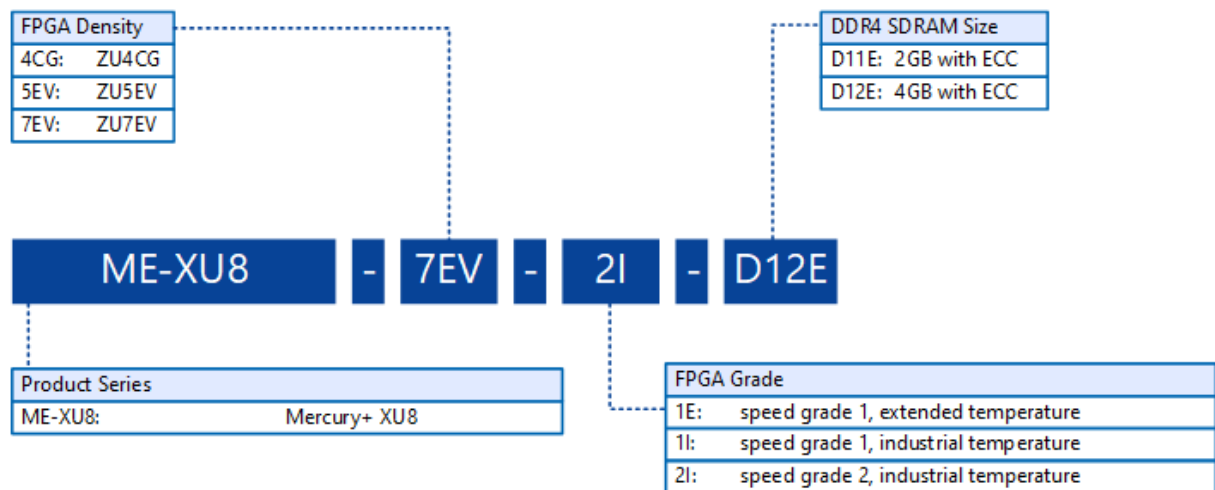


Figure 2: Product Code Fields

Please note that for the first revision modules or early access modules, the product code may not respect entirely this naming convention. Please contact Enclustra for details on this aspect.

## 2.3 Article Numbers and Article Codes

Every module is uniquely labeled, showing the article number and serial number. An example is presented in Figure 3.

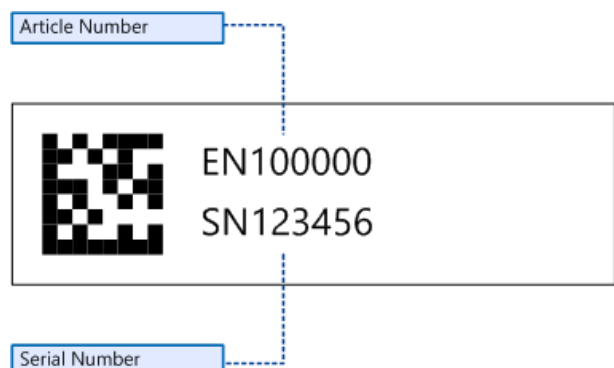


Figure 3: Module Label

The correspondence between article number and article code is shown in Table 2. The article code represents the product code, followed by the revision; the R suffix and number represent the revision number.

The revision changes and product known issues are described in the Mercury+ XU8 SoC Module Known Issues and Changes document [6].

Article Number	Article Code
EN102155	ME-XU8-4CG-1E-D11E-R1
EN102156	ME-XU8-5EV-1I-D12E-R1
EN102157	ME-XU8-7EV-2I-D12E-R1
EN102310	ME-XU8-4CG-1E-D11E-R1.1
EN102311	ME-XU8-5EV-1I-D12E-R1.1
EN102312	ME-XU8-7EV-2I-D12E-R1.1
EN102340	ME-XU8-4CG-1E-D11E-R2
EN102341	ME-XU8-5EV-1I-D12E-R2
EN102342	ME-XU8-7EV-2I-D12E-R2
EN102605	ME-XU8-7EV-1E-D11E-R2
EN102673	ME-XU8-4CG-1E-D11E-R2.1
EN102720	ME-XU8-4CG-1I-D11E-R2.1
EN102674	ME-XU8-5EV-1I-D12E-R2.1
EN102676	ME-XU8-7EV-1E-D11E-R2.1
EN102675	ME-XU8-7EV-2I-D12E-R2.1

Table 2: Article Numbers and Article Codes

## 2.4 Top and Bottom Views

### 2.4.1 Top View

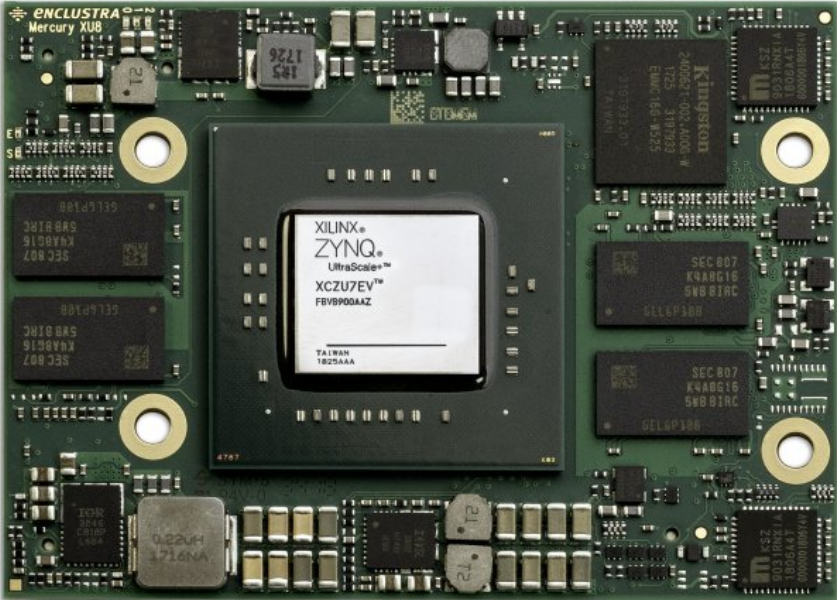


Figure 4: Module Top View

### 2.4.2 Bottom View

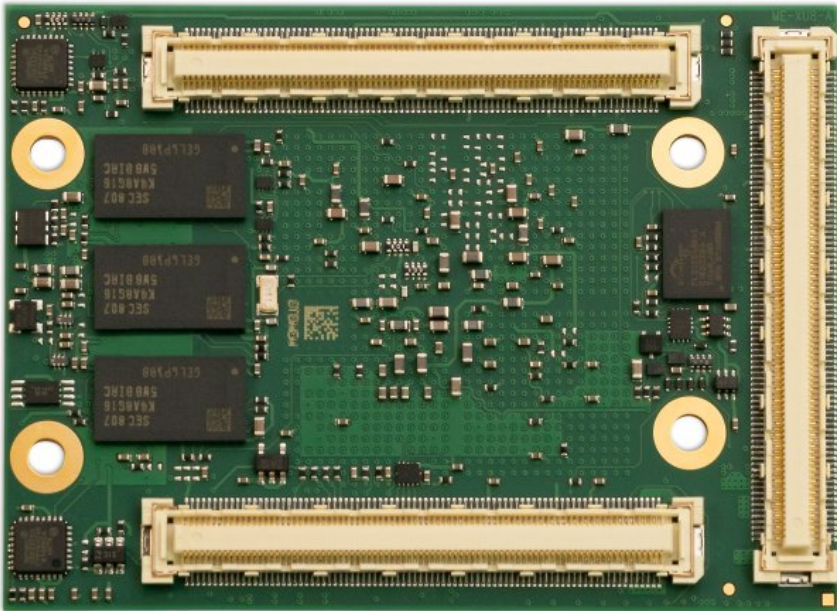


Figure 5: Module Bottom View

Please note that depending on the hardware revision and configuration, the module may look slightly different than shown in this document.



# 2.5 Top and Bottom Assembly Drawings

## 2.5.1 Top Assembly Drawing

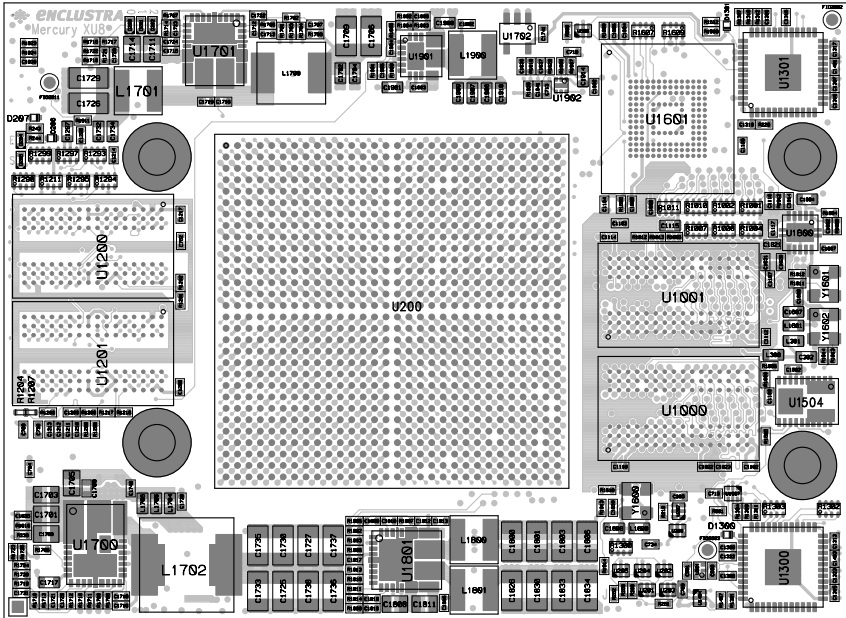


Figure 6: Module Top Assembly Drawing

## 2.5.2 Bottom Assembly Drawing

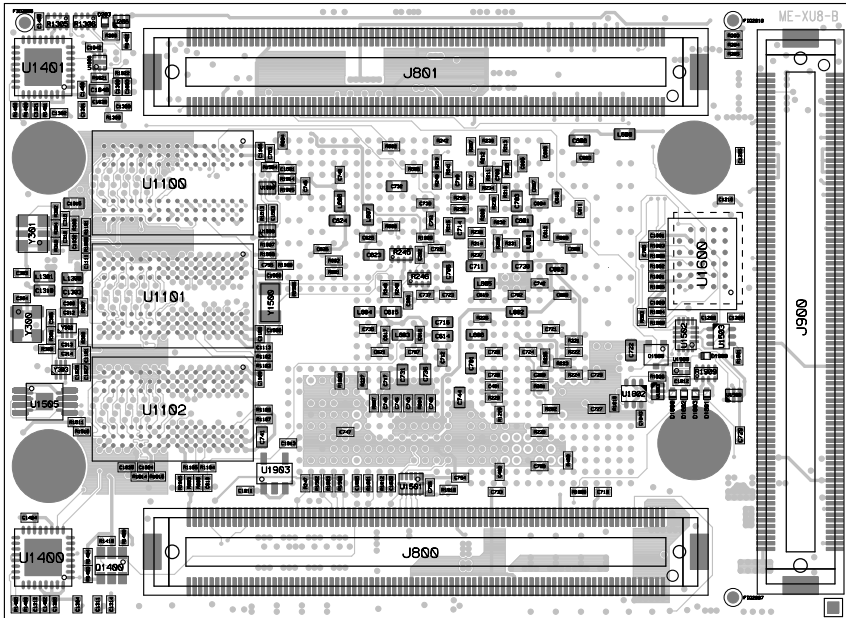


Figure 7: Module Bottom Assembly Drawing

Please note that depending on the hardware revision and configuration, the module may look slightly different than shown in this document.

## 2.6 Module Footprint

Figure 8 shows the dimensions of the module footprint on the base board.

Enclustra offers Mercury and Mercury+ modules of various geometries having widths of 56, 64, 65, 72 or 74 mm and having different topologies for the mounting holes. If different module types shall be fixed on the base board by screws, additional mounting holes may be required to accommodate different modules. The footprints of the module connectors for the base board design are available for different PCB design tools (Altium, PADS, Eagle, Orcad) [7] and include the required information on the module sizes and holes.

The maximum component height under the module is dependent on the connector type - refer to Section 2.8 for detailed connector information.

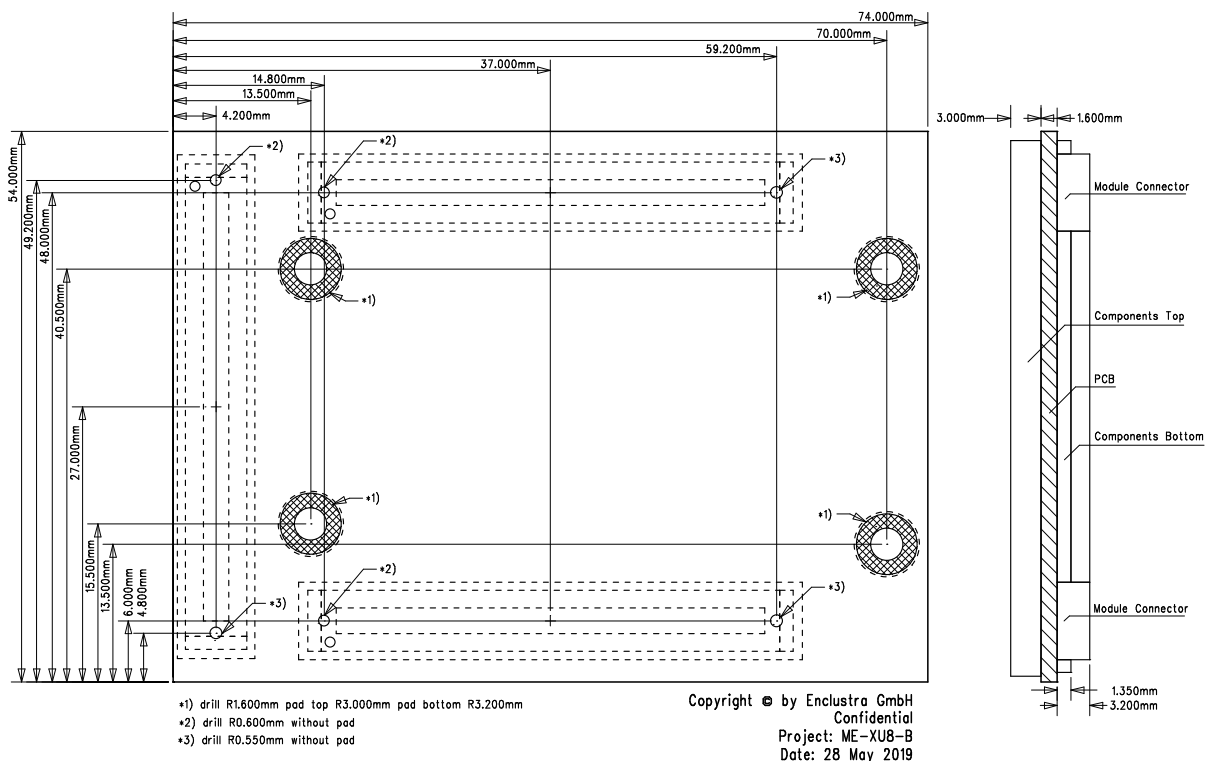


Figure 8: Module Footprint - Top View

### Warning!

It is possible to mount the Mercury+ XU8 SoC module the wrong way round on the base board - always check that the mounting holes on the base board are aligned with the mounting holes of the Mercury+ XU8 SoC module.

## 2.7 Mechanical Data

Table 3 describes the mechanical characteristics of the Mercury+ XU8 SoC module. A 3D model (PDF) and a STEP 3D model are available [8], [9].



Symbol	Value
Size	74 × 54 mm
Component height top	3.00 mm
Component height bottom	1.35 mm
Weight	34 g

Table 3: Mechanical Data

## 2.8 Module Connector

Three Hirose FX10 168-pin 0.5 mm pitch headers with a total of 504 pins have to be integrated on the base board. Up to four M3 screws may be used to mechanically fasten the module to the base board. Do not use excessive force to tighten the screws, as this could damage the module.

The pinout of the module connector is found in the Mercury Master Pinout Excel Sheet [11]. The connector is available in different packaging options and different stacking heights. Some examples are presented in Table 4. Please refer to the connector datasheet for more information.

Reference	Type	Description
Mercury module connector	FX10A-168S-SV	Hirose FX10, 168-pin, 0.5 mm pitch
Base board connector	FX10A-168P-SV(71)	Hirose FX10, 168-pin, 0.5 mm pitch, 4 mm stacking height
Base board connector	FX10A-168P-SV1(71)	Hirose FX10, 168-pin, 0.5 mm pitch, 5 mm stacking height

Table 4: Module Connector Types

Figure 9 indicates the pin numbering for the Mercury module connectors from the top view of the base board. The connector pins are numbered as follows:

- Connector A: from J800-1 to J800-168
- Connector B: from J801-1 to J801-168
- Connector C: from J900-1 to J900-168

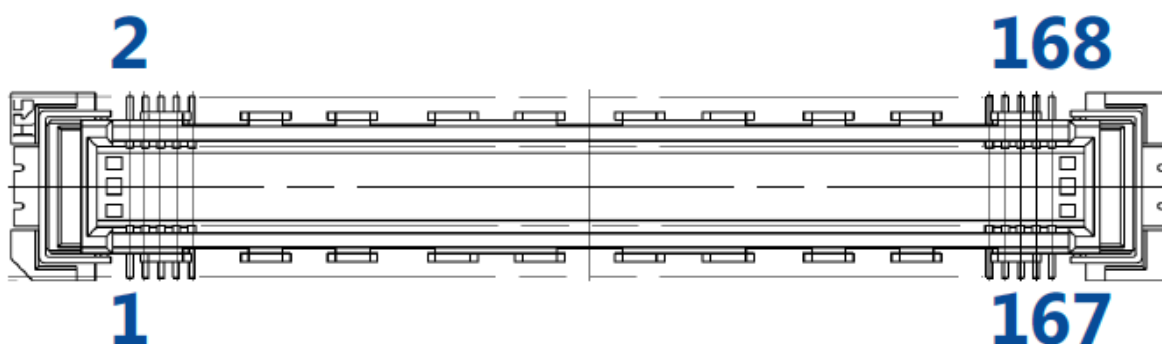


Figure 9: Pin Numbering for the Module Connector

## Warning!

*Do not use excessive force to latch a Mercury module into the Mercury connectors on the base board, as this could damage the module and the base board; always make sure that the module is correctly oriented before mounting it into the base board.*

## 2.9 User I/O

### 2.9.1 Pinout

Information on the Mercury+ XU8 SoC module pinout can be found in the Enclustra Mercury Master Pinout [11], and in the additional document Enclustra Module Pin Connection Guidelines [10].

## Warning!

*Please note that the pin types on the schematics symbol of the module connector and in the Master Pinout document are for reference only. On the Mercury+ XU8 SoC module it may be possible that the connected pins do not have the targeted functions (such as primary clocks, differential pins, MGT signals, etc).*

The naming convention for the user I/Os located in HP banks is:

IO\_B<BANK>\_L<PAIR>\_<SPECIAL\_FUNCTION>\_<PACKAGE\_PIN>\_<POLARITY>.

For example, IO\_B66\_L4\_AD7\_AD11\_P is located on pin AD11 of I/O bank 66, pair 4, it is a System Monitor differential auxiliary analog input capable pin and it has positive polarity, when used in a differential pair.

The HD banks are numbered differently depending on the MPSoC device equipped on the module:

- Bank N represents:
  - I/O bank 46 for ZU4/ZU5 devices
  - I/O bank 47 for ZU7 devices
- Bank O represents:
  - I/O bank 45 for ZU4/ZU5 devices
  - I/O bank 48 for ZU7 devices

The naming convention for the user I/Os located in HD banks is:

IO\_B<BANK\_LETTER>\_L<PAIR>\_<SPECIAL\_FUNCTION>\_<PACKAGE\_PIN>\_<POLARITY>

For example, IO\_BN\_L7\_HDGC\_AD5\_E13\_N is located on pin E13 of I/O bank N, pair 7, it is a System Monitor differential auxiliary analog input capable pin and also a clock capable pin and it has negative polarity, when used in a differential pair.

The global clock capable pins are marked with "GC" (HP I/O banks) or with "HDGC" (HD I/O banks) in the signal name. For details on their function and usage, please refer to the Xilinx documentation.

Table 5 includes information related to the total number of I/Os available in each I/O bank and possible limitations.

Signal Name	Sign.	Pairs	Differential	Single-ended	I/O Bank
IO_B64_<...>	4	0	-	In/Out	64 (HP) <sup>1</sup>
IO_B65_<...>	20	10	In/Out	In/Out	65 (HP) <sup>1</sup>
IO_B66_<...>	50	24	In/Out	In/Out	66 (HP) <sup>1</sup>
IO_BN_<...>	24	12	In/Out (no LVDS/LVPECL outputs supported; internal differential termination not supported)  Refer to Section 2.9.3 for details.	In/Out	46 (HD) <sup>1</sup> for ZU4/ZU5 47 (HD) <sup>1</sup> for ZU7
IO_BO_<...>	24	12	In/Out (no LVDS/LVPECL outputs supported; internal differential termination not supported)  Refer to Section 2.9.3 for details.	In/Out	45 (HD) <sup>1</sup> for ZU4/ZU5 48 (HD) <sup>1</sup> for ZU7
<b>Total</b>	<b>122</b>	<b>58</b>	-	-	-

Table 5: User I/Os

The multi-gigabit transceiver (MGT) are described in section 2.10.

## 2.9.2 I/O Pin Exceptions

The I/O pin exceptions are pins with special functions or restrictions (for example, when used in combination with certain Mercury boards they may have a specific role).

### PCIe Reset Signal (PERST#)

Table 6 lists the I/O pin exceptions on the Mercury+ XU8 SoC module related to the PCIe reset connection.

I/O Name	Module Connector Pin	Description
PS_MIO42_PERST#	A-104	When the pin has a low value, its value is routed via a 1 k $\Omega$ resistor to ETH0_TXD3_PERST# pin (MIO30) and via a 47 k $\Omega$ resistor to PL_PERST# (MPSoC package pin AF2) for PCIe PERST# connection implementation

Table 6: I/O Pin Exceptions - PERST#

When the Mercury+ XU8 SoC module is used in combination with a Mercury+ PE1 base board as a PCIe device, the PERST# signal coming from the PCIe edge connector on the module connector pin A-104 (PS\_MIO42\_PERST#) is driven further to PL\_PERST# and to ETH0\_TXD3\_PERST# (MIO30) when its value is low.

When a PCIe block on the PL side is used, the PERST# signal is connected to the MPSoC pin PL\_PERST# via a 47 k $\Omega$  resistor.

When a PCIe block on the PS side is used, the PERST# signal is routed via a 1 k $\Omega$  resistor to MIO30. This is the default MIO pin used for the reset signal of the PCIe PS built-in block, therefore it was chosen for the reset implementation. The Ethernet controller 0 is disabled when the PCIe hard block is used; note that any

<sup>1</sup>HD = high density pins, HP = high performance pins; Refer to the Zynq UltraScale+ MPSoC Overview [22] for details.

other valid position for PERST# would have resulted in having the Ethernet controller disabled.

Using a PCIe block in the PL simultaneously with Gigabit Ethernet 0 interface on the PS side is possible. Simultaneous usage of two PCIe endpoints on the PL and PS sides is not supported and was not tested on Enclustra side.

In situations in which PCIe functionality is not required, PS\_MIO42\_PERST# pin can be used in the same manner as a regular MIO pin.

For root complex applications the PERST# signal can be placed on any unused MIO pin (the restriction on MIO30/42 does not apply in this case).

### ***I/O Pins with Level Shifter***

There are four signals on the Mercury+ XU8 SoC module that are routed from the FPGA banks to the module connector via level shifters - these are presented in Table 7.

<b>I/O Name</b>	<b>Module Connector Pin</b>	<b>Description</b>
IO_B64_AF17_LS	A-88	These pins have a level shifter from VCC_1V2 to VCC_CFG_MIO
IO_B64_AC19_LS	A-90	
IO_B64_AH16_LS	A-92	
IO_B64_AG19_LS	A-94	

Table 7: I/O Pin Exceptions - Level Shifters

The level shifters used for the I/O pins mentioned in Table 7 are NXP NTB0104 and the maximum achievable data rate on these pins is 30 Mbit/sec.

### **2.9.3 Differential I/Os**

When using differential pairs, a differential impedance of 100  $\Omega$  must be matched on the base board, and the two nets of a differential pair must have the same length.

The information regarding the length of the signal lines from the MPSoC device to the module connector is available in Mercury+ XU8 SoC Module IO Net Length Excel Sheet [3]. This enables the user to match the total length of the differential pairs on the base board if required by the application.

#### **Warning!**

*Please note that the trace length of various signals may change between revisions of the Mercury+ XU8 SoC module. Please use the information provided in the Mercury+ XU8 SoC Module IO Net Length Excel Sheet [3] to check which signals are affected. The differential signals will still be routed differentially in subsequent product revisions.*

The I/Os in the HD banks (N, O) can be used only as differential inputs when LVDS/LVPECL standards are used; LVDS/LVPECL outputs are not supported.

Internal differential termination is not supported for the HD pins; all differential signal pairs from both HD banks may optionally be equipped with 100  $\Omega$  differential termination resistors on the module. Refer to Section 2.9.6 for details.

## 2.9.4 I/O Banks

Table 8 describes the main attributes of the Programmable Logic (PL) and Processing System (PS) I/O banks, and indicates which peripherals are connected to each I/O bank. All I/O pins within a particular I/O bank must use the same I/O (VCC\_IO) and reference (VREF) voltages.

Bank	Connectivity	VCC_IO	VREF
MGT Bank A	Module connector	0.9 V	-
MGT Bank B	Module connector	0.9 V	-
MGT Bank C	Module connector	0.9 V	-
MGT Bank D	Module connector	0.9 V	-
Bank 64	PL DDR4 SDRAM, I2C, LEDs, module connector	1.2 V	internal
Bank 65	PL DDR4 SDRAM, clock oscillator, module connector	1.2 V	internal
Bank 66	Module connector	User selectable VCC_IO_B66	User selectable $0.5 \times VCC\_IO\_B66$
Bank N 46 (ZU4/ZU5) or 47 (ZU7)	Module connector	User selectable VCC_IO_BN	-
Bank O 45 (ZU4/ZU5) or 48 (ZU7)	Module connector	User selectable VCC_IO_BO	-
Bank 503	FPGA PS Configuration	User selectable VCC_CFG_MIO	-
PS DDR Bank 504	PS DDR4 SDRAM	1.2 V	-
PS Bank 500	eMMC and QSPI flash devices, I2C, LEDs	1.8 V	-
PS Bank 501	Gigabit Ethernet PHY 0, module connector	User selectable VCC_CFG_MIO	-
PS Bank 502	USB PHY 0, and Gigabit Ethernet PHY 1 / USB PHY 1 (shared lines)	1.8 V	-
PS GTR Bank 505	Module connector, GTR oscillators	VCC_0V85	-

Table 8: I/O Banks

## 2.9.5 VCC\_IO Usage

The VCC\_IO voltages for the I/O banks located on the module connector are configurable by applying the required voltage to the VCC\_IO\_B[x], respectively VCC\_CFG\_[x] pins. All VCC\_IO\_B[x] or VCC\_CFG\_[x] pins of the same bank must be connected to the same voltage.

For compatibility with other Enclustra Mercury modules, it is recommended to use a single I/O voltage per module connector.

Signal Name	MPSoC Pins	Supported	Connector	Connector
		Voltages	A Pins	B Pins
VCC_CFG_MIO	VCCO_PSIO1_501, VCCO_PSIO3_503	1.8 V - 3.3 V $\pm$ 5%	74, 77	-
VCC_IO_B66	VCCO_66	1.0 V - 1.8 V $\pm$ 5%	-	64, 67, 88, 95, 140, 143
VCC_IO_BN	VCCO_N <sup>2</sup>	1.2 V - 3.3 V $\pm$ 5% <sup>3</sup>	38	-
VCC_IO_BO	VCCO_O <sup>2</sup>	1.2 V - 3.3 V $\pm$ 5% <sup>3</sup>	41	-

Table 9: VCC\_IO Pins

On module connector C there are no VCC\_IO pins available, as the signals routed to this connector belong to FPGA banks which are powered by fixed voltages generated on the module. Note that the VCC\_IO pins on connector C are used on other Enclustra modules; for compatibility purposes it is acceptable to power these pins even if they are not used on the Mercury+ XU8 SoC module.

The Mercury+ XU8 SoC module may be used in combination with base boards having only two module connectors.

### Warning!

*Use only VCC\_IO voltages compliant with the equipped MPSoC device; any other voltages may damage the equipped MPSoC device, as well as other devices on the Mercury+ XU8 SoC module.*

*Do not leave a VCC\_IO pin floating, as this may damage the equipped MPSoC device, as well as other devices on the Mercury+ XU8 SoC module.*

### Warning!

*Do not power the VCC\_IO pins when PWR\_GOOD and PWR\_EN signals are not active. If the module is not powered, you need to make sure that the VCC\_IO voltages are disabled (for example, by using a switch on the base board, which uses PWR\_GOOD as enable signal). Figure 10 illustrates the VCC\_IO power requirements.*

<sup>2</sup>For HD I/O banks generic supply names are used - refer to Section 2.9.4 for details on I/O banks connectivity and supplies.

<sup>3</sup>For voltages of 3.3 V for VCC\_IO\_BN and VCC\_IO\_BO the tolerance range is -5% to +3%.

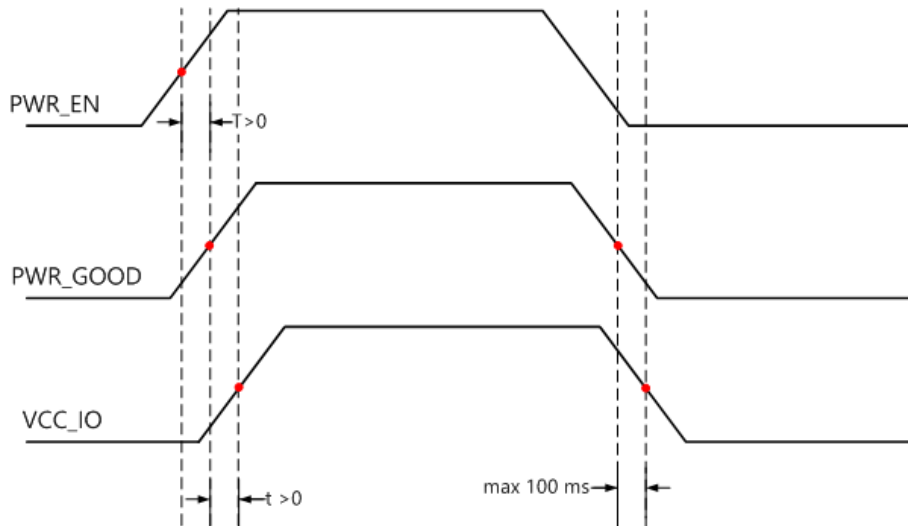


Figure 10: Power-Up Sequence - VCC\_IO in Relation with PWR\_GOOD and PWR\_EN Signals

## 2.9.6 Signal Terminations

### Differential Inputs

Internal differential termination is not supported for the HD pins (banks 46, 45 on ZU4/ZU5 devices, and banks 47, 48 on ZU7 devices). All differential signal pairs from both HD banks may optionally be equipped with 100  $\Omega$  differential termination resistors on the module.

The resistor identifiers for each differential input pair can be retrieved from the Mercury+ XU8 SoC Module User Schematics [5].

### Single-Ended Outputs

There are no series termination resistors on the Mercury+ XU8 SoC module for single-ended outputs. If required, series termination resistors may be equipped on the base board (close to the module pins).

## 2.9.7 Multiplexed I/O (MIO) Pins

Details on the MIO/EMIO terminology are available in the Zynq UltraScale+ MPSoC Technical Reference Manual [18].

Some of the MIO pins on the Mercury+ XU8 SoC module are connected to on-board peripherals, while others are available as GPIOs; the suggested functions below are for reference only - always verify your MIO pinout with the Xilinx device handbook.

Table 10 gives an overview over the MIO pin connections on the Mercury+ XU8 SoC module. Only the pins marked with "user functionality" are available on the module connector.

MIO Group	Function	Connection
0-5	QSPI flash	QSPI flash
6	QSPI feedback clock	-
7-9	Unused	-
10-11	I2C	On-board I2C bus and module connector via level shifter
12	I2C interrupt	On-board I2C bus
13-22	eMMC flash	eMMC flash
23	USB PHY 1 reset	USB 2.0 PHY 1
24-25	LED0#, LED1#	On-board LEDs
26-29, 31-37	Ethernet 0	Gigabit Ethernet PHY 0
30	Ethernet 0/PCIe block PERST# signal <sup>4</sup>	Gigabit Ethernet PHY 0/Module connector via series resistor
38	UART RX <sup>5</sup> /user functionality	Module connector
39	UART TX <sup>5</sup> /user functionality	
40-41, 43-44	User functionality	Module connector
42	PCIe block PERST# signal <sup>4</sup> /user functionality	Module connector
45-51	SD card/user functionality	Module connector
52-63	USB 0	USB 2.0 PHY 0
64-75	Ethernet 1/USB 1	Gigabit Ethernet PHY 1, USB 2.0 PHY 1
76-77	Ethernet MDIO	Gigabit Ethernet PHY 1 and PHY 0 via level shifter

Table 10: MIO Pins Connections Overview

## 2.9.8 Analog Inputs

The Zynq Ultrascale+ MPSoC devices contain a system monitor in the PL and an additional system monitor block in the PS. These are used to sample analog inputs and to collect information on the internal voltages and temperatures.

The system monitor block in the PL provides a 10-bit ADC, which supports up to 17 external analog lines (1 dedicated differential input, 16 auxiliary differential inputs). The auxiliary analog lines of the MPSoC device are available on the module connector; these I/Os have the abbreviation "AD" followed by the ADC channel in the signal name. The ADC lines are always used differentially; for single-ended applications, the \*\_N line

<sup>4</sup>Used for PCIe PERST# connection implementation. Refer to Section 2.9.2 for details.

<sup>5</sup>UART RX is an MPSoC input; UART TX is an MPSoC output.



must be connected to GND. The dedicated channel is not available on the module connector.

The analog input signals can be connected to any normal I/O FPGA bank, provided that all analog pins belong to the same bank. Note that the HD I/O banks have a limited number of analog inputs and they must be connected directly to the SYSMONE4 primitive instead of to the Xilinx System Management Wizard IP core.

For detailed information on the ADC and system monitor, refer to the UltraScale Architecture System Monitor document [19], Zynq UltraScale+ MPSoC Technical Reference Manual [18] and System Management Wizard Product Guide [21].

Table 11 presents the ADC Parameters for the PL System Monitor. The PS System Monitor is only used for monitoring the on-chip power supply voltages and die temperature.

Parameter	Value (PL Sysmon)
VCC_ADC	1.8 V
VREF_ADC	Internal
ADC Range	0-1 V
Sampling Rate per ADC	0.2 MSPS
Total number of channels available on the module connector	16 (only auxiliary inputs)

Table 11: System Monitor (PL) Parameters

## 2.10 Multi-Gigabit Transceiver (MGT)

There are two types of multi-gigabit transceivers available on the Mercury+ XU8 SoC module: GTH transceivers (connected to the PL) and GTR transceivers (connected to the PS).

### **GTH Transceivers**

There are 16 GTH MGTs available on the Mercury+ XU8 SoC module organized in four FPGA banks - Table 12 describes the connections.

The GTH banks are numbered differently depending on the MPSoC device equipped on the module:

- MGT bank A represents:
  - GTH bank 223 for ZU4/ZU5 devices
  - GTH bank 224 for ZU7 devices
- MGT bank B represents:
  - GTH bank 224 for ZU4/ZU5 devices
  - GTH bank 225 for ZU7 devices
- MGT bank C represents:
  - GTH bank 225 for ZU4/ZU5 devices
  - GTH bank 226 for ZU7 devices
- MGT bank D represents:
  - GTH bank 226 for ZU4/ZU5 devices
  - GTH bank 227 for ZU7 devices

The naming convention for the GTH MGT I/Os is:  
MGT\_B<BANK\_LETTER>\_<FUNCTION>\_<PACKAGE\_PIN>\_<POLARITY>.

For example, MGT\_BB\_TX2\_L3\_N is located on pin L3 of MGT I/O bank B, it is a transmit pin and it has negative polarity.

Signal Name	Signal Description	Pairs	I/O Bank
MGT_BA_RX<...>	MGT receivers	4	223 for ZU4/ZU5, 224 for ZU7
MGT_BA_TX<...>	MGT transmitters	4	
MGT_BA_REFCLK<...>	MGT reference input clocks	2	
MGT_BB_RX<...>	MGT receivers	4	224 for ZU4/ZU5, 225 for ZU7
MGT_BB_TX<...>	MGT transmitters	4	
MGT_BB_REFCLK<...>	MGT reference input clocks	2	
MGT_BC_RX<...>	MGT receivers	4	225 for ZU4/ZU5, 226 for ZU7
MGT_BC_TX<...>	MGT transmitters	4	
MGT_BC_REFCLK<...>	MGT reference input clocks	2	
MGT_BD_RX<...>	MGT receivers	4	226 for ZU4/ZU5, 227 for ZU7
MGT_BD_TX<...>	MGT transmitters	4	
MGT_BD_REFCLK<...>	MGT reference input clocks	2	
<b>Total</b>		<b>40</b>	

Table 12: MGT Pairs

Twelve of the GTH pairs and six corresponding clocks are routed to module connector C, while four GTH pairs and two reference input clock differential pairs are routed to module connector B.

The GTH MGTs on the MPSoC device support data rates of 12.5 Gbit/sec on speedgrade 1 devices and of 16.375 Gbit/sec on the other devices. Hirose has removed the bandwidth limitation to 15 Gbit/sec from the past, therefore the maximum MPSoC performance may be achieved.

The MPSoC devices equipped on the Mercury+ XU8 SoC module can support up to two integrated PCIe Gen3 ×16 interfaces on the PL side, implemented using GTH transceivers. Simultaneous usage of these interfaces is limited to the available hardware resources (number of transceivers and lane mapping).

### Warning!

*It is recommended to use redrivers on the base board for PCIe Gen3 or other high-speed interfaces implementations, and to perform channel simulation.*

### GTR Transceivers

There are four GTR MGT pairs and two reference input clock differential pairs on the Mercury+ XU8 SoC module connected to I/O bank 505; these are routed to module connector B.

The naming convention for the GTR MGT I/Os is:  
MGTPS\_<FUNCTION>\_<PACKAGE\_PIN>\_<POLARITY>.

For example, MGTPS\_RX2\_H28\_N is located on pin H28 of PS GTR bank (bank 505), it is a receive pin and it has negative polarity.

All Mercury+ XU8 SoC module variants support the implementation of a PCIe Gen2 ×4 interface.

Please note that when the PCIe hard block is used, it is not possible to use the Ethernet 0 interface. Ethernet PHY 0 is connected to ETH 0 controller from the PS I/O bank 501; one of the Ethernet TX data signals is shared with the PCIe reset signal (PERST#). Refer to Sections 2.9.2 and 2.9.7 for details on the PERST# connection.

The GTR pairs support data rates of 6 Gbit/sec and can be used for the implementation of several interfaces such as PCIe Gen2 ×4, USB 3.0, DisplayPort, SATA, or Ethernet SGMII. Please refer to the Zynq UltraScale+ MPSoC Technical Reference Manual [18] and to the Zynq UltraScale+ MPSoC Overview [22] for details.

A 100 MHz LVDS oscillator and a 27 MHz CMOS oscillator provide reference clock inputs to the PS GTR bank 505. Please refer to Section 2.12 for details.

### Warning!

*The maximum data rate on the MGT lines on the Mercury+ XU8 SoC module depends on the routing path for these signals. Adequate signal integrity over the full signal path must be ensured when using MGTs at high performance rates.*

### Warning!

*No AC coupling capacitors are placed on the Mercury+ XU8 SoC module on the MGT lines - make sure capacitors are mounted, if required, on the base board (close to the module pins), to prevent MGT lines from being damaged.*

## 2.11 Power

### 2.11.1 Power Generation Overview

The Mercury+ XU8 SoC module uses a 5 - 15 V DC power input for generating the on-board supply voltages (0.72/0.85/0.9 V, 0.85/0.9 V, 0.9 V, 1.2 V, 1.8 V, 2.5 V, 3.3 V and 5.0 V). Some of these voltages (1.8 V, 2.5 V, 3.3 V) are accessible on the module connector.

Table 13 describes the power supplies generated on the module.

Voltage Supply Name	Voltage Value	Rated Current	Voltage Source	Shut down via PWR_EN	Influences PWR_GOOD
VCC_INT	0.72 V/0.85 V/0.9 V (PL core supply)	35 A	VCC_MOD	Yes	Yes
VCC_PSINT	0.85 V/0.9 V (PS core supply)	6 A	VCC_MOD	Yes	Yes
VCC_0V85 <sup>6</sup>	0.85 V (GTR transceiver supply)	0.5 A	VCC_1V2	Yes	No
VCC_0V9	0.9 V	6 A	VCC_MOD	Yes	Yes
VCC_1V2	1.2 V	6 A	VCC_MOD	Yes	Yes
VCC_BAT_FPGA	1.2 V	10 mA	VCC_BAT	No	No
VCC_1V8	1.8 V	3 A	VCC_MOD	Yes	Yes
VCC_2V5	2.5 V	0.5 A	VCC_3V3	Yes <sup>7</sup>	No
VCC_3V3	3.3 V	6 A	VCC_MOD	No	Yes
VCC_5V0	5.0 V	0.15 A	VCC_MOD	No	No

Table 13: Generated Power Supplies

In the standard configuration the PL core supply is 0.85 V. For custom configurations, in which a speedgrade -3E MPSoC device is equipped, an assembly option is available to switch the PL core operating voltage to 0.9 V. Similarly, in situations in which a speedgrade -2LE or -1LI device is used, an assembly option is available to switch the PL core operating voltage to 0.72 V.

In the standard configuration the PS core supply is 0.85 V. For custom configurations, in which a speedgrade -3E MPSoC device is equipped, an assembly option is available to switch the PS core operating voltage to 0.9 V.

Please refer to the Enclustra Module Pin Connection Guidelines for general rules on the power pins [10].

The power consumption of the video codec unit (VCU) on the VCC\_INT\_VCU rail is limited to 4 A. This issue will be fixed starting with revision 3.

### Power Converter Synchronization

All switching DC/DC converters used on the Mercury+ XU8 SoC module support synchronization of the switching frequency with an external clock. The module includes a power synchronization circuit, which may drive a clock generated by the MPSoC device to all the DC/DC converters.

By default, the free-running switching frequency of the DC/DC converters is set. To set the switching frequency to a desired value, a clock must be generated on MPSoC pin W9 of bank 66. Table 14 presents the

<sup>6</sup>An LDO is used to generate the GTR transceiver supply, when a -1LI, -2LE, or -3E speedgrade MPSoC device is used. For the other speedgrades, VCC\_INT is used.

<sup>7</sup>Please note that on modules revision 1.1 the 2.5 V supply is not powered off by the PWR\_EN signal. If this voltage is used to supply VCC\_IO pins, power sequencing on the base board is required.

control signal for the power converter synchronization.

Signal	MPSoC Pin	Description
PWR_SYNC	Package pin W9	<p>Clock signal used for DC/DC converters synchronization</p> <ul style="list-style-type: none"> <li>Floating/Driven high: Default switching frequency (as specified in the schematics) is used.</li> <li>Driven low: <b>Invalid</b>, may cause instability of all DC/DC converters on board.</li> <li>Clock signal: The DC/DC converters are synchronized with this external clock signal.</li> </ul>

Table 14: Power Converter Synchronization

The synchronization frequency valid for all switching DC/DC converters on-board and compensation networks must lie in the range 860..1000 kHz.

Depending on the selected frequency, it is recommended to adjust the duty cycle of the synchronization clock accordingly, in order to ensure a minimum time of 600 ns for the high level of the clock signal. This implies that for higher clock frequencies the duty cycle must be increased to 65-75%.

When VCC\_IO\_B66 is 1.0 V, the synchronization of the DC/DC converters to a user frequency is not supported, as there is no 1.0 V output standard available in HP banks. For details on I/O standards, refer to the Zynq UltraScale+ MPSoC, DC and AC Switching Characteristics [20].

### 2.11.2 Power Enable/Power Good

The Mercury+ XU8 SoC module provides a power enable input on the module connector. This input may be used to shut down the DC/DC converters and LDOs for 0.72/0.85/0.9 V, 0.85/0.9 V, 0.9 V, 1.2 V, 1.8 V and 2.5 V. The list of regulators that can be disabled via PWR\_EN signal is provided in Section 2.11.1.

The PWR\_EN input is pulled to VCC\_3V3 on the Mercury+ XU8 SoC module with a 10 kΩ resistor. The PWR\_GOOD signal is pulled to VCC\_3V3 on the Mercury+ XU8 SoC module with a 10 kΩ resistor.

PWR\_GOOD is an open collector signal and must not be used to drive a load directly. This signal is pulled to GND if the on-board regulators fail or if the module is disabled via PWR\_EN. The list of regulators that influence the state of PWR\_GOOD signal is provided in Section 2.11.1.

Pin Name	Module Connector Pin	Remarks
PWR_EN	A-10	<p>Floating/3.3 V: Module power enabled</p> <p>Driven low: Module power disabled</p>
PWR_GOOD	A-12	<p>0 V: Module supply not ok</p> <p>3.3 V: Module supply ok</p>

Table 15: Module Power Status and Control Pins

## Warning!

Do not apply any other voltages to the PWR\_EN pin than 3.3 V or GND, as this may damage the Mercury+ XU8 SoC module. PWR\_EN pin can be left unconnected.

Do not power the VCC\_IO pins (for example by connecting VCC\_3V3 to VCC\_IO directly) if PWR\_EN is used to disable the module. In this case, VCC\_IO needs to be switched off in the manner indicated in Figure 10.

### 2.11.3 Voltage Supply Inputs

Table 16 describes the power supply inputs on the Mercury+ XU8 SoC module. The VCC voltages used as supplies for the I/O banks are described in Section 2.9.5.

Pin Name	Module Connector Pins	Voltage	Description
VCC_MOD	A-1, 2, 3, 4, 5, 6, 7, 8, 9, 11	5 - 15 V $\pm$ 5%	Supply for the 0.72/0.85/0.9 V, 0.85/0.9 V, 0.9 V, 1.2 V, 1.8 V, 3.3 V and 5.0 V voltage regulators. The 2.5 V supply is generated from the 3.3 V supply. The input current is rated at 3 A (0.3 A per connector pin).
VCC_BAT	A-168	2.7 - 3.6 V	Battery voltage for MPSoC battery-backed RAM and battery-backed RTC

Table 16: Voltage Supply Inputs

### 2.11.4 Voltage Supply Outputs

Table 17 presents the supply voltages generated on the Mercury+ XU8 SoC module, that are available on the module connector.

Pin Name	Module Connector Pins	Voltage	Maximum Current <sup>8</sup>	Comment
VCC_3V3	A-26, 29, 50, 86 B-55, 79, 115, 127, 152, 155 C-96, 103, 136, 143	3.3 V $\pm$ 5%	4 A (and max 0.3 A per pin)	Always active
VCC_2V5	A-53, 62, 65, 89	2.5 V $\pm$ 5%	0.25 A	Controlled by PWR_EN <sup>9</sup>
VCC_1V8	B-52, 76, 108, 128 C-83, 123, 165	1.8 V $\pm$ 5%	1.5 A	Controlled by PWR_EN

Table 17: Voltage Supply Outputs

<sup>8</sup>The maximum available output current depends on your design. See sections 2.11.1 and 2.11.5 for details.

<sup>9</sup>Please note that on modules revision 1.1 the 2.5 V supply is not powered off by the PWR\_EN signal. If this voltage is used to supply VCC\_IO pins, power sequencing on the base board is required.

## Warning!

*Do not connect any power supply to the voltage supply outputs nor short circuit them to GND, as this may damage the Mercury+ XU8 SoC module.*

### 2.11.5 Power Consumption

Please note that the power consumption of any MPSoC device strongly depends on the application (on the configured bitstream and I/O activity).

To estimate the power consumption of your design, please use the Xilinx Power Estimator available on the Xilinx website.

### 2.11.6 Heat Dissipation

High performance devices like the Xilinx Zynq Ultrascale+ MPSoC need cooling in most applications; always make sure the MPSoC is adequately cooled.

For Mercury modules an Enclustra heat sink kit is available for purchase along with the product. It represents an optimal solution to cool the Mercury+ XU8 SoC module - the heat sink body is low profile and usually covers the whole module surface. The kit comes with a gap pad for the MPSoC device, a fan and required mounting material to attach the heat sink to the module PCB and baseboard PCB. With additional user configured gap pads, it is possible to cool other components on board as well.

Alternatively, if the Enclustra heat sink does not match the application requirements, a third-party heat sink body (ATS) and an additional gap pad (t-Global) may be used. Please note that the Enclustra heat sink kit already contains all necessary items for cooling the module (heat sink body, gap pad, fan, mounting material).

Table 18 lists the heat sink and thermal pad part numbers that are compatible with the Mercury+ XU8 SoC module. Details on the Mercury heatsink kit can be found in the Mercury Heatsink Application Note [17].

Product Name	Package Name	Enclustra Heat Sink	ATS Heat Sink	t-Global Thermal Pad
Mercury+ XU8	FBVB900 [23]	ACC-HS4-Set	ATS-52310G-C1-R0	TG-A6200-30-30-1

Table 18: Heat Sink Type

Please note that the adhesive heat sink part is recommended only for prototyping purposes. In cases where the module is used in environments subject to vibrations, additional mechanical fixation is recommended.

## Warning!

*Depending on the user application, the Mercury+ XU8 SoC module may consume more power than can be dissipated without additional cooling measures; always make sure the MPSoC is adequately cooled by installing a heat sink and/or providing air flow.*

## 2.11.7 Voltage Monitoring

Several pins on the module connector on the Mercury+ XU8 SoC module are marked as VMON. These are voltage monitoring outputs that are used in the production test for measuring some of the on-board voltages.

It is not allowed to draw power from the voltage monitoring outputs.

Table 19 presents the VMON pins on the Mercury+ XU8 SoC module.

Pin Name	Module Connector Pin	Connection	Description
VMON_INT	A-102	VCC_INT	PL core voltage
VMON_VTT_VBAT	B-8	VCC_VTT	DDR termination voltage (default)/MP-SoC battery voltage (assembly option)
VMON_PSINT	B-168	VCC_PSINT	PS core voltage
VMON_0V9	B-167	VCC_0V9	0.9 V on-board voltage
VMON_1V2 <sup>10</sup>	C-8	VCC_1V2	1.2 V on-board voltage

Table 19: Voltage Monitoring Outputs

### Warning!

*The voltage monitoring outputs are for Enclustra-use only. Pinout changes may be applied between revisions.*

## 2.12 Clock Generation

A 33.33 MHz oscillator is used for the Mercury+ XU8 SoC module clock generation; the 33.33 MHz clock is fed to the PS. A 100 MHz LVDS oscillator is connected to FPGA bank 65 and can serve as a reference for the PLL used to generate the clocks required for the PL DDR interface. The signal is terminated with a 100  $\Omega$  parallel resistor close to the FPGA pins. The same 100 MHz clock is used as a reference clock input for PS GTR bank 505.

A 27 MHz CMOS oscillator provide a reference clock input to the PS GTR bank 505. A 24 MHz clock and a 25 MHz clock are used for the USB PHYs and Ethernet PHYs respectively. The crystal pads for the MPSoC RTC are connected to a 32.768 kHz oscillator on the Mercury+ XU8 SoC module.

<sup>10</sup>Voltage monitoring output available on the module connector starting with revision 2 modules.



Table 20 describes the clock connections to the MPSoC device.

Signal Name	Frequency	Package Pin	MPSoC Pin Type
CLK33	33.33 MHz	P19	PS_REF_CLK
GTR_CLK27_P GTR_CLK27_N	27 MHz	H23 H24	PS_MGTREFCLK3P_505 PS_MGTREFCLK3N_505
GTR_CLK100_P GTR_CLK100_N	100 MHz	K23 K24	PS_MGTREFCLK2P_505 PS_MGTREFCLK2N_505
CLK100_P CLK100_N	100 MHz	AH6 AJ6	IO_L13P_T2L_N0_GC_QBC_65 IO_L13N_T2L_N1_GC_QBC_65
PS_PADI PS_PADO	32.768 kHz	M21 N21	PS_PADI (crystal pad input for MPSoC built-in RTC) PS_PADO (crystal pad output for MPSoC built-in RTC)

Table 20: Module Clock Resources

## 2.13 Reset

The power-on reset signal (POR) and the PS system reset signal (SRST) of the MPSoC device are available on the module connector.

Pulling PS\_POR# low resets the MPSoC device, the Ethernet and the USB PHYs, and the QSPI and eMMC flash devices. Please refer to the Enclustra Module Pin Connection Guidelines [10] for general rules regarding the connection of reset pins.

Pulling PS\_SRST# low resets the MPSoC device and enables the connection between QSPI flash and module connector, allowing the flash to be programmed from an external SPI master.

For details on the functions of the PS\_POR\_B and PS\_SRST\_B signals refer to the Zynq UltraScale+ MPSoC Technical Reference Manual [18].

Table 21 presents the available reset signals. Both signals, PS\_POR# and PS\_SRST#, have on-board 10 k $\Omega$  pull-up resistors to VCC\_CFG\_MIO. For on-board devices using 1.8 V signaling, a PS\_POR# low voltage variant is generated (PS\_POR#\_LV).

Signal Name	Connector Pin	Package Pin	FPGA Pin Type	Description
PS_POR#	A-132	N19	PS_POR_B	Power-on reset
PS_SRST#	A-124	P20	PS_SRST_B	System reset

Table 21: Reset Resources

Please note that PS\_POR# is automatically asserted if PWR\_GOOD is low.

## 2.14 LEDs

There are three active-low user LEDs on the Mercury+ XU8 SoC module - two of them are connected to the PS and one connected to the PL.

Signal Name	Signal Location	Remarks
PS_LED0#	A18 (MIO24)	User function/active-low
PS_LED1#	B18 (MIO25)	User function/active-low
PL_LED2#	AF13	User function/active-low

Table 22: User LEDs

In addition to the user LEDs, two status LEDs are equipped on the module, offering details on the configuration process for debugging purposes.

PS Signal Name	PS Signal Location	Remarks
PS_ERROR	R22 (PS_ERROR_OUT)	Refer to Zynq UltraScale+ MPSoC Technical Reference Manual [18]
PS_STATUS	R20 (PS_ERROR_STATUS)	Refer to Zynq UltraScale+ MPSoC Technical Reference Manual [18]

Table 23: Status LEDs

## 2.15 DDR4 SDRAM (PS)

There are two DDR4 SDRAM channels on the Mercury+ XU8 SoC module: one attached directly to the PS side (which is available only as a shared resource to the PL side) and one attached directly to the PL side.

The DDR4 SDRAM connected to the PS is mapped to I/O bank 504. The memory configuration on the Mercury+ XU8 SoC module supports ECC error detection and correction; the correction code type used is single bit error correction and double bit error detection (SEC-DED).

Five 16-bit memory chips are used to build an 72-bit wide memory (8 bits are unused): 64 bits for data and 8 bits for ECC.

The maximum memory bandwidth on the Mercury+ XU8 SoC module is:  
 $2400 \text{ Mbit/sec} \times 64 \text{ bit} = 19200 \text{ MB/sec}$

### 2.15.1 DDR4 SDRAM Type

Table 24 describes the memory availability and configuration on the Mercury+ XU8 SoC module.

Module	SDRAM Type	Density	Configuration	Manufact.
ME-XU8-D11E (extended)	MT40A256M16GE-083E	4 Gbit	256 M × 16 bit	Micron
ME-XU8-D11E (extended)	H5AN4G6NAFR-UHC	4 Gbit	256 M × 16 bit	SK Hynix
ME-XU8-D11E (industrial)	MT40A256M16GE-083E-IT-B	4 Gbit	256 M × 16 bit	Micron
ME-XU8-D11E (industrial)	K4A4G165WE-BIRC	4 Gbit	256 M × 16 bit	Samsung
ME-XU8-D12E (industrial)	K4A8G165WB-BIRC	8 Gbit	512 M × 16 bit	Samsung

Table 24: DDR4 SDRAM (PS) Types

### Warning!

*Other DDR4 memory devices may be equipped in future revisions of the Mercury+ XU8 SoC module. Please check the user manual regularly for updates. Any parts with different speed bins or temperature ranges that fulfill the requirements for the module variant may be used.*

## 2.15.2 Signal Description

Please refer to the Mercury+ XU8 SoC Module FPGA Pinout Excel Sheet [4] for detailed information on the DDR4 SDRAM connections.

## 2.15.3 Termination

### Warning!

*No external termination is implemented for the data signals on the Mercury+ XU8 SoC module. Therefore, it is strongly recommended to enable the on-die termination (ODT) feature of the DDR4 SDRAM device.*

## 2.15.4 Parameters

Please refer to the Mercury+ XU8 SoC module reference design [2] for DDR4 settings guidelines.

The DDR4 SDRAM parameters to be set in the Vivado project are presented in Table 25.

The values given in Table 25 are for reference only. Depending on the equipped memory device on the Mercury+ XU8 SoC module and on the DDR4 SDRAM frequency, the configuration may be different to the one in the reference design. Please refer to the memory device datasheet for details.

Parameter	Value
Memory type	DDR4
DRAM bus width	64 bit
ECC	Enabled
DRAM chip bus width	16 bits
DRAM chip capacity	4096-8192 Mbits
Bank group address count	1
Bank address count	2
Row address count	15-16
Column address count	10
Speed bin	DDR4 2400T
Operating frequency	1200 MHz
CAS latency	17
CAS write latency	12
Additive latency	0
RAS to CAS delay	17
Precharge time	17
tRC	46.16 ns
tRASmin	32 ns
tFAW	30 ns

Table 25: DDR4 SDRAM (PS) Parameters

## 2.16 DDR4 SDRAM (PL)

The DDR4 SDRAM connected to the PL is mapped to I/O banks 64 and 65. The DDR bus width is 32-bit.

The DDR4 SDRAM memory controller on the MPSoC device supports speeds up to 2666 Mbit/s (1333 MHz), however the memories equipped on the Mercury+ XU8 SoC module are rated 2400 Mbit/s (1200 MHz).

The maximum PL memory bandwidth on the Mercury+ XU8 SoC module is:  
 $2400 \text{ Mbit/sec} \times 32 \text{ bit} = 9600 \text{ MB/sec}$

Note that for MPSoC low power mode (at 0.72 V) the DDR speed is lower than mentioned above. For details, refer to the Zynq UltraScale+ MPSoC, DC and AC Switching Characteristics [20].

## 2.16.1 DDR4 SDRAM Type

Table 24 describes the memory availability and configuration on the Mercury+ XU8 SoC module.

Module	SDRAM Type	Density	Configuration	Manufact.
ME-XU8-D11E (extended)	MT40A256M16GE-083E	4 Gbit	256 M × 16 bit	Micron
ME-XU8-D11E (extended)	H5AN4G6NAFR-UHC	4 Gbit	256 M × 16 bit	SK Hynix
ME-XU8-D11E (industrial)	MT40A256M16GE-083E-IT-B	4 Gbit	256 M × 16 bit	Micron
ME-XU8-D11E (industrial)	K4A4G165WE-BIRC	4 Gbit	256 M × 16 bit	Samsung
ME-XU8-D12E (industrial)	K4A8G165WB-BIRC	8 Gbit	512 M × 16 bit	Samsung

Table 26: DDR4 SDRAM (PL) Types

### Warning!

*Other DDR4 memory devices may be equipped in future revisions of the Mercury+ XU8 SoC module. Please check the user manual regularly for updates. Any parts with different speed bins or temperature ranges that fulfill the requirements for the module variant may be used.*

## 2.16.2 Signal Description

Please refer to the Mercury+ XU8 SoC Module FPGA Pinout Excel Sheet [4] for detailed information on the DDR4 SDRAM connections.

## 2.16.3 Termination

### Warning!

*No external termination is implemented for the data signals on the Mercury+ XU8 SoC module. Therefore, it is strongly recommended to enable the on-die termination (ODT) feature of the DDR4 SDRAM device.*

## 2.16.4 Parameters

Please refer to the Mercury+ XU8 SoC module reference design [2] for DDR4 settings guidelines.

The DDR4 SDRAM parameters to be set in the Vivado project are presented in Table 25.

The values given in Table 27 are for reference only. Depending on the equipped memory device on the Mercury+ XU8 SoC module and on the DDR4 SDRAM frequency, the configuration may be different to the one in the reference design. Please refer to the memory device datasheet for details.

Parameter	Value
Memory Device Interface Speed (ps)	833
Reference Input Clock Speed (ps)	10000 (100 MHz) <sup>11</sup>
Memory Part	MT40A256M16 / MT40A512M16 <sup>12</sup>
Data Width	32
Data Mask and DBI	DM NO DBI
Cas Latency	17
Cas Write Latency	12

Table 27: DDR4 SDRAM (PL) Parameters

## 2.17 QSPI Flash

The QSPI flash can be used to boot the PS, and to store the FPGA bitstream, ARM application code and other user data.

### 2.17.1 QSPI Flash Type

Table 28 describes the memory availability and configuration on the Mercury+ XU8 SoC module.

As there is one QSPI flash chip equipped on the Mercury+ XU8 SoC module, type "single" must be selected when programming the flash from Vivado tools.

Flash Type	Size	Manufacturer
S25FL512S	512 Mbit	Cypress (Spansion)

Table 28: QSPI Flash Type

#### Warning!

*Other flash memory devices may be equipped in future revisions of the Mercury+ XU8 SoC module. Please check the user manual regularly for updates. Any parts with different speeds and temperature ranges that fulfill the requirements for the module variant may be used.*

### 2.17.2 Signal Description

The QSPI flash is connected to the PS MIO pins 0-5. Some of these signals are available on the module connector, allowing the user to program the QSPI flash from an external source.

The reset of the QSPI flash is connected to the PS\_POR#\_LV power-on reset signal.

Please refer to Section 3 for details on programming the flash memory.

<sup>11</sup>An exact period of 10000 ps may not be achievable. The clock speed closest to the desired frequency should be selected.

<sup>12</sup>The memory devices equipped on the module may not be available in Vivado. In this case, a similar memory part with compatible timing requirements should be selected.

## Warning!

*Special care must be taken when connecting the QSPI flash signals on the base board. Long traces or high capacitance may disturb the data communication between the MPSoC and the flash device.*

### 2.17.3 Configuration

The QSPI flash supports up to 50 MHz operation for standard read. For fast, dual and quad read speed values, please refer to the flash device datasheet.

Note that the "Feedback Clk" option on pin MIO6 must be enabled in the Zynq configuration for clock rates higher than 40 MHz.

Please refer to Zynq UltraScale+ MPSoC Technical Reference Manual [18] for details on booting from the QSPI flash.

### 2.17.4 QSPI Flash Corruption Risk

There have been cases in which it was observed that the content of the flash device got corrupted. According to Cypress, this issue is caused by power loss during the Write Register (WRR) command. The most common reason to use the WRR command is to turn the QUAD bit ON or OFF - this operation takes place usually at the beginning of the boot process. If required, the bootloader code can be adjusted to set the QUAD bit to a fixed value, without invoking this command during boot.

For additional information on this issue, please refer to the Cypress documentation and forum discussions [24], [25].

## 2.18 eMMC Flash

The eMMC flash can be used to boot the PS, and to store the FPGA bitstream, ARM application code and other user data.

### 2.18.1 eMMC Flash Type

Table 29 describes the memory availability and configuration on the Mercury+ XU8 SoC module.

Flash Type	Size	Manufacturer
H26M52208FPRI	16 GB	SK Hynix
EMMC16G-W525-X01U	16 GB	Kingston
EMMC16G-IB29-PZ90	16 GB	Kingston

Table 29: eMMC Flash Type

## Warning!

*Other flash memory devices may be equipped in future revisions of the Mercury+ XU8 SoC module. Please check the user manual regularly for updates. Any parts with different speeds and temperature ranges that fulfill the requirements for the module variant may be used.*

## 2.18.2 Signal Description

The eMMC flash signals are connected to the MIO pins 13-22 for 8-bit data transfer mode. The command signal has a 4.7 k $\Omega$  pull-up resistor to 1.8 V and the data lines have 47 k $\Omega$  pull-up resistors to 1.8 V.

## 2.19 SD Card

An SD card can be connected to the PS MIO pins 45-51. The corresponding MIO pins are available on the module connector. Information on SD card boot mode is available in Section 3.9.

Please note that external pull-ups are needed for SD card operation. Depending on the selected voltage for VCC\_CFG\_MIO, a level shifter to 3.3 V may be required (some level shifters also have built-in pull-ups).

For booting from an Ultra High Speed (UHS) SD card, an SD 3.0 compliant level shifter is required on the base board and VCC\_CFG\_MIO must be set to 1.8 V. Please note that this boot mode has not been tested, but it may be supported in the future.

## 2.20 Dual Gigabit Ethernet

Two 10/100/1000 Mbit Ethernet PHYs are available on the Mercury+ XU8 SoC module, both connected to the PS via RGMII interfaces.

### 2.20.1 Ethernet PHY Type

Table 30 describes the equipped Ethernet PHY devices type on the Mercury+ XU8 SoC module.

PHY Type	Manufacturer	Type
KSZ9031RNX	Microchip (Micrel)	10/100/1000 Mbit

Table 30: Gigabit Ethernet PHYs Type

### 2.20.2 Signal Description

PHY 0 is connected to ETH 0 controller from the PS I/O bank 501. One of the Ethernet TX data signals is shared with the PCIe reset signal (PERST#); if the application requires a hard PCIe block, the ETH 0 interface is not available. Refer to Section 2.9.2 for details on the PERST# connection.

#### Warning!

*Gigabit Ethernet 0 interface is not available when the PCIe endpoint in the PS is used (because of the PERST# connection).*

PHY 1 is connected to ETH 3 controller from the PS bank 502. The corresponding MIO signals (64-75) are shared between Ethernet PHY 1 and USB PHY 1, therefore only one of them can be used. By default the Ethernet connection is enabled.

#### Warning!

*Gigabit Ethernet 1 interface is not available when USB 1 interface is active.*



USB1\_RST#\_ETH1\_RST is pulled to GND via a 1 kΩ resistor; to release the USB PHY from reset, this signal must be driven high from MIO23. ETH1\_RST# is pulled to 1.8 V via a 10 kΩ resistor; if USB1\_RST#\_ETH1\_RST signal is driven high from the PS, the Ethernet reset is connected to GND.

Both reset signals (for Ethernet and USB) are pulled to GND if the PS\_POR# is active. Table 31 describes the behavior of the USB1/ETH1 selection circuit; the default selection is marked in bold.

Condition		Function	
PS_POR#	USB1_RST#_ETH1_RST (MIO23)	USB PHY 1	Ethernet PHY 1
0	-	In reset	In reset
<b>1</b>	<b>0</b>	<b>In reset</b>	<b>Active</b>
1	1	Active	In reset

Table 31: USB1/ETH1 Selection

The two Gigabit Ethernet PHYs have a shared MDIO interface and a shared interrupt line. The interrupt output of the Ethernet PHYs is connected to the I2C interrupt line, available on MIO pin 12.

### 2.20.3 External Connectivity

The Ethernet signal lines can be connected directly to the magnetics. Please refer to the Enclustra Module Pin Connection Guidelines [10] for details regarding the connection of Ethernet signals.

### 2.20.4 MDIO Address

The MDIO interface is shared between the two Gigabit Ethernet PHYs - these can be configured using the corresponding address. The MDIO address assigned to PHY 0 is 3 and to PHY 1 is 7.

The MDIO signals are mapped to MIO pins 76-77 and they are routed directly to PHY 1 and via a level shifter to PHY 0.

### 2.20.5 PHY Configuration

The configuration of the Ethernet PHYs is bootstrapped when the PHYs are released from reset. Make sure all I/Os on the RGMII interface are initialized and all pull-up or pull-down resistors are disabled at that moment.

The bootstrap options of the Ethernet PHYs are set as indicated in Table 32.

Pin	Signal Value	Description
MODE[3-0]	1110	RGMII mode: advertise all capabilities (10/100/1000, half/full duplex) except 1000Base-T half duplex.
PHYAD[2-0]	011	PHY0: MDIO address 3
	111	PHY1: MDIO address 7
Clk125_EN	0	125 MHz clock output disabled
LED_MODE	1	Single LED mode
LED1/LED2	1	Active-low LEDs

Table 32: Gigabit Ethernet PHYs Configuration - Bootstraps

For the Ethernet PHY configuration via the MDIO interface, the MDC clock frequency must not exceed 2 MHz.

### 2.20.6 RGMII Delays Configuration

The two Ethernet PHYs are connected directly to hard MAC controllers present in the MPSoC device. In order to achieve the best sampling eye for the RX and TX data, it is recommended to adjust the pad skew delays as specified in Table 33. These values have been successfully tested on Enclustra side.

The delays can be adjusted by programming the RGMII pad skew registers of the Ethernet PHY; please refer to the PHY datasheet for details.

PHY Register Name	Register Value [binary]	Delay Value
RXD0-RXD3	0111	0 ps
RX_DV	0111	0 ps
RX_CLK	01111	0 ps
TXD0-TXD3	0111	0 ps
TX_EN	0111	0 ps
GTX_CLK	11110	900 ps

Table 33: Gigabit Ethernet PHYs Configuration - RGMII Delays

## 2.21 USB 2.0

Two USB 2.0 PHYs are available on the Mercury+ XU8 SoC module, both connected to the PS to I/O bank 502. USB PHY 0 can be configured as host or device and USB PHY 1 can be used only as host.

### 2.21.1 USB PHY Type

Table 34 describes the equipped USB PHYs device type on the Mercury+ XU8 SoC module.

PHY Type	Manufacturer	Type
USB3320C	Microchip	USB 2.0 PHY

Table 34: USB 2.0 PHY Type

## 2.21.2 Signal Description

The ULPI interface for the PHY 0 is connected to MIO pins 52-63 for use with the integrated USB controller.

The ULPI interface for the PHY 1 is connected to MIO pins 64-75. The MIO signals are shared between Ethernet PHY 1 and USB PHY 1, therefore only one of them can be used. By default the Ethernet connection is enabled. Please refer to Section 2.20.2 for details on how to select Ethernet or USB mode.

### Warning!

*USB 1 interface is not available when Gigabit Ethernet 1 interface is active.*

## 2.22 USB 3.0

Xilinx Zynq Ultrascale+ devices feature two built-in USB 3.0 controllers and PHYs, configurable as host or device. The PHY interface used by the USB 3.0 controller is PIPE3, supporting a 5 Gbit/sec data rate in host or device modes. The interface of each USB 3.0 controller uses one of the PS GTR lanes.

A 100 MHz differential clock is available on the module and connected to PS\_MGTREFCLK2 pins, to be used as a reference clock for the USB 3.0 interface. It is also possible to provide another reference clock from the base board to the MGTPS\_REFCLK\* pins.

Details on the built-in USB 2.0/3.0 controller and on the usage of the PS GTR lanes are available in the Zynq UltraScale+ MPSoC Technical Reference Manual [18] and in the Zynq UltraScale+ MPSoC Overview [22].

Figure 11 shows an example of a USB 3.0 implementation using the built-in Xilinx USB 3.0 interface and the USB 2.0 signals from the PHY, all routed to a USB 3.0 connector on the base board.

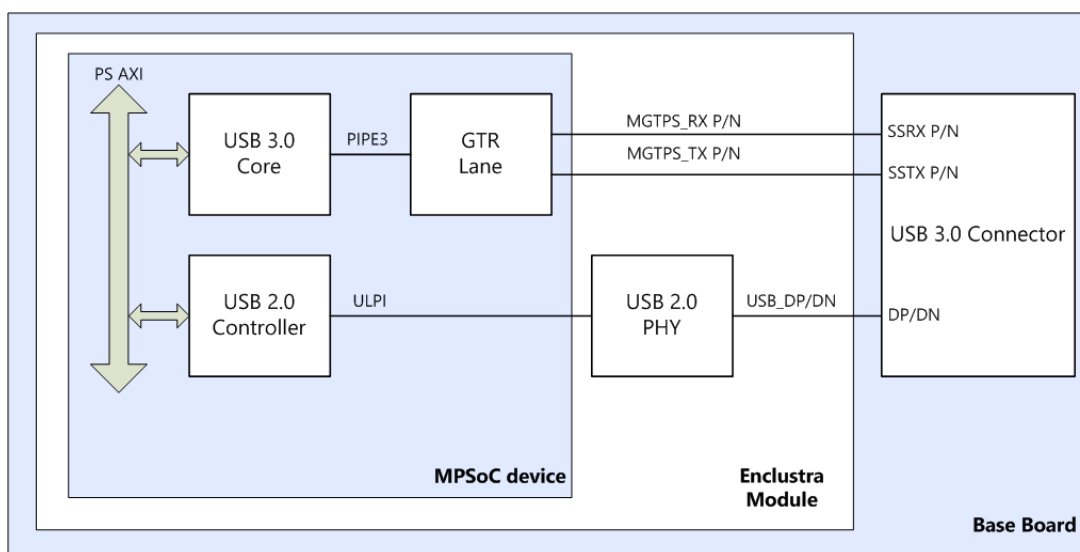


Figure 11: USB 3.0 Implementation Example

## Warning!

The USB 3.0 interface on the Mercury+ XU8 SoC module uses the GTR lines (MGTPS signals on module connector B), and not the USB\_SSRX\_P/N and USB\_SSTX\_P/N connections on module connector A.

## 2.23 Display Port

Xilinx Zynq Ultrascale+ devices feature two built-in DisplayPort controllers and PHYs, supporting up to two lanes at a 5.4 Gbit/sec line rate. Each lane is represented by one of the PS GTR lines, available on the module connector.

A 27 MHz differential clock is available on the module and connected to PS\_MGTREFCLK3 pins, to be used as a reference clock for the DisplayPort interface. It is also possible to provide another reference clock from the base board to the MGTPS\_REFCLK\* pins.

Details on the built-in DisplayPort controller and on the usage of the PS GTR lanes is available in the Zynq UltraScale+ MPSoC Technical Reference Manual [18] and in the Zynq UltraScale+ MPSoC Overview [22].

## 2.24 Real-Time Clock (RTC)

Zynq Ultrascale+ devices include an internal real-time clock. The internal RTC can be accessed by the platform management unit (PMU) - more information on the PMU is available in the Zynq UltraScale+ MPSoC Technical Reference Manual [18].

The RTC crystal pad input and crystal pad output are connected on the Mercury+ XU8 SoC module to a 32.768 kHz oscillator.

A 1.2 V LDO is used to generate the battery voltage for the built-in RTC (supplied to VCC\_PSBATT pin), based on the VCC\_BAT voltage mapped to the module connector. This pin can be connected directly to a 3 V battery on the base board. Please refer to the Enclustra Module Pin Connection Guidelines [10] for details.

## 2.25 Secure EEPROM

The secure EEPROM is used to store the module type and serial number, as well as the Ethernet MAC address and other information. It is connected to the I2C bus.

The secure EEPROM must not be used to store user data.

Please refer to Section 4.4 for details on the content of the EEPROM.

### 2.25.1 EEPROM Type

Table 35 describes the equipped EEPROM device type on the Mercury+ XU8 SoC module.

Type	Manufacturer
ATSHA204A-MAHDA-T (default)	Atmel
DS28CN01 (assembly option)	Maxim

Table 35: EEPROM Type

An example demonstrating how to read data from the EEPROM is included in the Mercury+ XU8 SoC module reference design [2].

# 3 Device Configuration

## 3.1 Configuration Signals

The PS of the MPSoC needs to be configured before the FPGA logic can be used. Xilinx Zynq devices need special boot images to boot from QSPI flash, eMMC flash or SD card. For more information, please refer to the Zynq UltraScale+ MPSoC Technical Reference Manual [18].

Table 36 describes the most important configuration pins and their location on the module connector. These signals allow the MPSoC to boot from QSPI flash, eMMC flash or SD card, and can be used to program the QSPI flash from an external master. Please refer to Section 3.12 for details.

Signal Name	MPSoC Pin Type	Mod. Conn. Pin	Description	Comments
FLASH_CLK	MIO0	A-118	SPI CLK	10 kΩ pull-up to VCC_CFG_MIO
FLASH_DO	MIO1	A-122	SPI MISO	-
FLASH_DI	MIO4	A-114	SPI MOSI	10 kΩ pull-up to VCC_CFG_MIO
FLASH_CS#	MIO5	A-116	SPI CS#	10 kΩ pull-up to VCC_CFG_MIO
PS_DONE	PS_DONE	A-130	MPSoC device configuration done	1 kΩ pull-up to VCC_CFG_MIO
PS_POR#	PS_POR_B	A-132	MPSoC power-on reset	10 kΩ pull-up to VCC_CFG_MIO
PS_SRST#	PS_SRST_B	A-124	MPSoC system reset	10 kΩ pull-up to VCC_CFG_MIO
BOOT_MODE0	-	A-126	Boot mode selection	10 kΩ pull-up to VCC_CFG_MIO
BOOT_MODE1	-	A-112	Boot mode selection	10 kΩ pull-up to VCC_CFG_MIO

Table 36: MPSoC Configuration Pins

## Warning!

All configuration signals except for *BOOT\_MODE* must be high impedance as soon as the device is released from reset. Violating this rule may damage the equipped MPSoC device, as well as other devices on the Mercury+ XU8 SoC module.

### 3.2 Module Connector C Detection

Signal *C\_PRSNT#* (pin C-167) is equipped with a 4.7 k $\Omega$  pull-up resistor to 3.3 V on the module. Since the *VCC\_IO* pins on connector C are not used, *C\_PRSNT#* does not influence the behavior of the module.

For compatibility with other Enclustra modules, it is recommended to connect *C\_PRSNT#* to GND on the base board if the designed base board has three connectors.

### 3.3 Pull-Up During Configuration

The Pull-Up During Configuration signal (*PUDC*) is pulled to GND on the module; as *PUDC* is an active-low signal, all FPGA I/Os will have the internal pull-up resistors enabled during device configuration.

If the application requires the pull-up during configuration to be disabled, this can be achieved by removing R222 component and by mounting R221 - in this configuration the *PUDC* pin is connected to 1.8 V.

Figure 12 illustrates the configuration of the I/O signals during power-up. Figure 13 indicates the location of the pull-up/pull-down resistors on the module PCB - lower right part on the bottom view drawing.

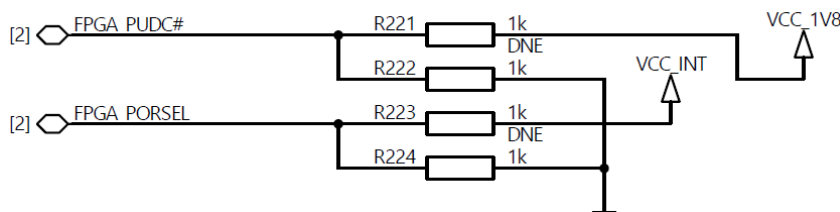


Figure 12: Pull-Up During Configuration (*PUDC*) and Power-on Reset Delay Override (*PORSEL*)

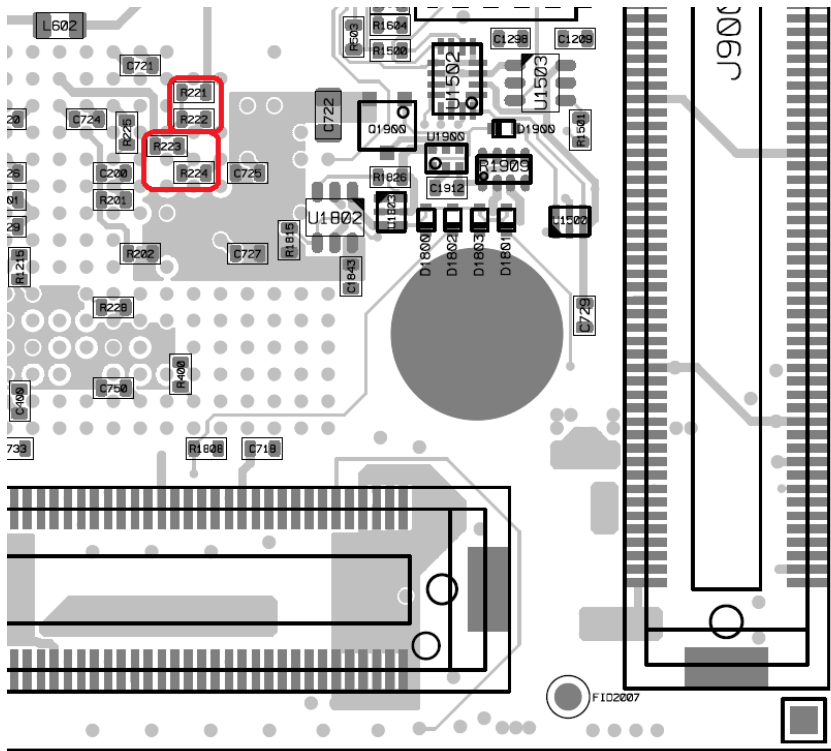


Figure 13: Pull-Up During Configuration (PUDC) and Power-on Reset Delay Override (PORSEL) Resistors - Assembly Drawing Bottom View (lower right part)

For details on the PUDC signal please refer to the Zynq UltraScale+ MPSoC Technical Reference Manual [18].

### 3.4 Power-on Reset Delay Override

The power-on reset delay override MPSoC signal (POR\_OVERRIDE) is pulled to GND on the module, setting the PL power-on delay time to the default standard time.

If the application requires faster PL power-on delay time, this can be achieved by removing R224 component and by mounting R223.

Figure 12 illustrates the configuration of the POR\_OVERRIDE signal. Figure 13 indicates the location of the pull-up/pull-down resistors on the module PCB - lower right part on the bottom view drawing.

For details on the POR\_OVERRIDE signal please refer to the Zynq UltraScale+ MPSoC Technical Reference Manual [18].

### 3.5 Boot Mode

The boot mode can be selected via two signals available on the module connector.

Table 37 describes the available boot modes on the Mercury+ XU8 SoC module.

Starting with revision 2, JTAG boot mode has been introduced to increase the usability with Xilinx tools, which may report issues when programming the on-board QSPI flash or when loading the FPGA bitstream in a non-JTAG boot mode.

BOOT MODE1	BOOT MODE0	Mode Straps [3:0]	Description	Remarks
0	0	0110	Boot from eMMC flash	-
0	1	1110	Boot from SD card (with an external SD 3.0 compliant level shifter; only available when VCC_CFG_MIO is 1.8 V)	Not supported (may be supported in the future)
1	0	0010	Boot from QSPI flash	-
1	1	0101	Boot from SD card (default mode)	-
1	0	0000	JTAG boot mode	Available only starting with revision 2 modules in certain conditions (refer to Section 3.6.3 for details).

Table 37: Boot Modes

## 3.6 JTAG

The Zynq Ultrascale+ devices include two separate JTAG controllers: the Zynq Ultrascale+ TAP and the ARM DAP. The first one uses the PS dedicated JTAG pins and has access to both PS and PL and the second one uses the PS PJTAG pins and is used for loading programs, system test, and PS debug.

Details on JTAG and on system test and debug are available in the Zynq UltraScale+ MPSoC Technical Reference Manual [18].

Certain Xilinx tool versions support QSPI flash programming via JTAG only when JTAG boot mode is used. Alternatively, the QSPI flash can be programmed in u-boot or Linux by the SPI controller in the PS or from an SPI external master.

### 3.6.1 JTAG on Module Connector

The PL and the PS JTAG interfaces are connected into one single chain available on the module connector. The PS\_JTAG pins are used by the Zynq Ultrascale+ TAP controller - the controller has full functionality only after the PS boot is complete. In order to enable the ARM DAP controller, special commands must be sent to the Zynq Ultrascale+ TAP.

The MPSoC device and the flash devices can be configured via JTAG from Xilinx SDK or Xilinx Vivado Hardware Manager - for this operation, the ARM DAP must be enabled.



Signal Name	Module Connector Pin	PS Dedicated Pin	Resistor
JTAG_TCK	A-123	PS_JTAG_TCK	10 k $\Omega$ pull-up to VCC_CFG_MIO
JTAG_TMS	A-119	PS_JTAG_TMS	10 k $\Omega$ pull-up to VCC_CFG_MIO
JTAG_TDI	A-117	PS_JTAG_TDI	10 k $\Omega$ pull-up to VCC_CFG_MIO
JTAG_TDO	A-121	PS_JTAG_TDO	10 k $\Omega$ pull-up to VCC_CFG_MIO

Table 38: JTAG Interface - PL and PS Access and Debug

### 3.6.2 External Connectivity

JTAG signals can be connected directly on the base board to a JTAG connector. No pull-up/pull-down resistors are necessary. The VREF pin of the programmer must be connected to VCC\_CFG\_MIO.

It is recommended to add 22  $\Omega$  series termination resistors between the module and the JTAG header, close to the source. Please refer to the Enclustra Module Pin Connection Guidelines for details on JTAG interface.

### 3.6.3 JTAG Boot Mode

Starting with revision 2, support for JTAG boot mode has been added to increase the usability of the module with Xilinx tools, for example for QSPI flash programming or FPGA bitstream loading.

The following steps are required in order to boot the module in JTAG mode:

- Set the boot mode selection signals for QSPI boot
- Short-circuit R252 (see Figure 14) while powering-up the module (in order to sample the MPSoC boot selection pins correctly for JTAG boot mode)

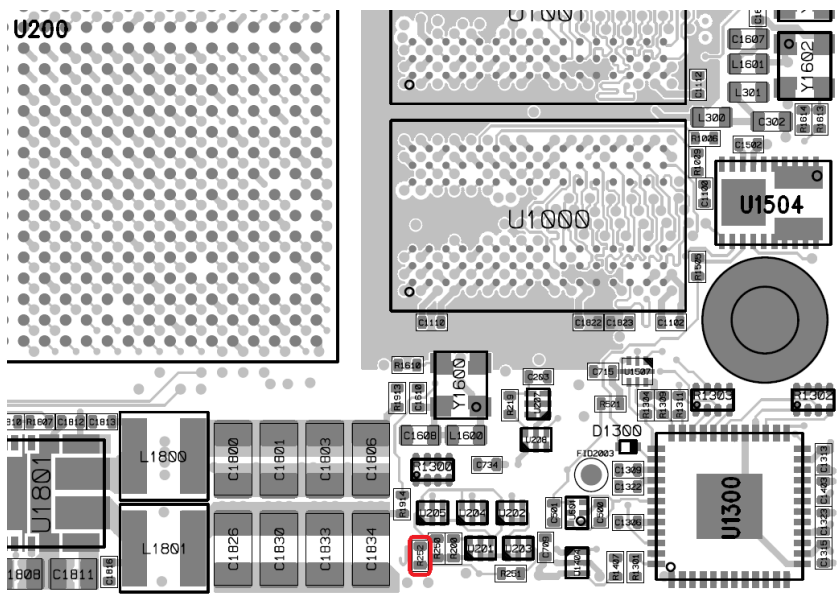


Figure 14: JTAG Boot Mode Resistor - Assembly Drawing Top View (lower right part) for Revision 2 Modules

### 3.7 eMMC Boot Mode

In the eMMC boot mode, the PS boots from the eMMC flash located on the module. The flash device is connected to the PS MIO pins 13-22 for 8-bit data transfer mode.

### 3.8 QSPI Boot Mode

In the QSPI boot mode, the PS boots from the QSPI flash located on the module. The flash device is connected to the PS MIO pins 0-5.

### 3.9 SD Card Boot Mode

In the SD card boot mode the PS boots from the SD card located on the base board. There are two SD card boot modes available on the Mercury+ XU8 SoC module. Please note that the SD boot mode with level shifter is currently not supported.

The SD boot mode with level shifter is used with Ultra High Speed (UHS) SD cards. The controller will start the communication at 3.3 V and afterwards it will command the card to drop from 3.3 V operation to 1.8 V operation. For this mode, an external SD 3.0 compliant level shifter is required. This boot mode may be supported in the future by Enclustra modules and base boards.

BOOT_MODE1	BOOT_MODE0	Description	VCC_CFG_MIO
0	1	Boot from SD card (with an external SD 3.0 compliant level shifter; currently not supported)	1.8 V
1	1	Boot from SD card (default mode)	Refer to Section 2.9.5

Table 39: SD Card Boot Modes

For the SD card boot mode, the following requirements must be met:

- The SD card must be connected to MIO pins 45-51
- A Zynq boot image must be generated from an MPSoC design having the SDIO controller enabled
- The boot image must be named "boot.bin" and then copied to the SD card
- The SDIO controller must be fed with a reasonable clock frequency. Please refer to the reference design for guidelines on SDIO settings.

For details on SD card boot, please refer to the Zynq UltraScale+ MPSoC Technical Reference Manual [18].

### 3.10 eMMC Flash Programming

The eMMC flash can be formatted and/or programmed in u-boot or Linux, like a regular SD card. The boot image or independent partition files can be transmitted via Ethernet or copied from another storage device.

Certain Xilinx tool versions support eMMC flash programming via JTAG.

### 3.11 QSPI Flash Programming via JTAG

The Xilinx Vivado and SDK software offer QSPI flash programming support via JTAG.

Certain Xilinx tools versions support QSPI flash programming via JTAG only when JTAG boot mode is used. For more information, please refer to the Xilinx documentation [18] and support. Alternatively, the QSPI flash can be programmed in u-boot or Linux by the SPI controller in the PS or from an SPI external master.

### 3.12 QSPI Flash Programming from an External SPI Master

The signals of the QSPI flash are directly connected to the module connector for flash access. As the flash signals are connected to the MPSoC device as well, the MPSoC device pins must be tri-stated while accessing the QSPI flash directly from an external device.

This is ensured by pulling the PS\_SRST# signal to GND followed by a pulse on PS\_POR#, which puts the MPSoC device into reset state and tri-states all I/O pins. PS\_SRST# must be low when PS\_POR# is released and kept low until the flash programming has finished. Afterwards, all SPI lines and PS\_SRST# must be tri-stated and another reset impulse must be applied to PS\_POR#.

Figure 15 shows the signal diagrams corresponding to flash programming from an external master.

In addition, a non-QSPI boot mode must be used during QSPI flash programming, otherwise the MPSoC device will attempt to boot from the flash and will disturb the clock.

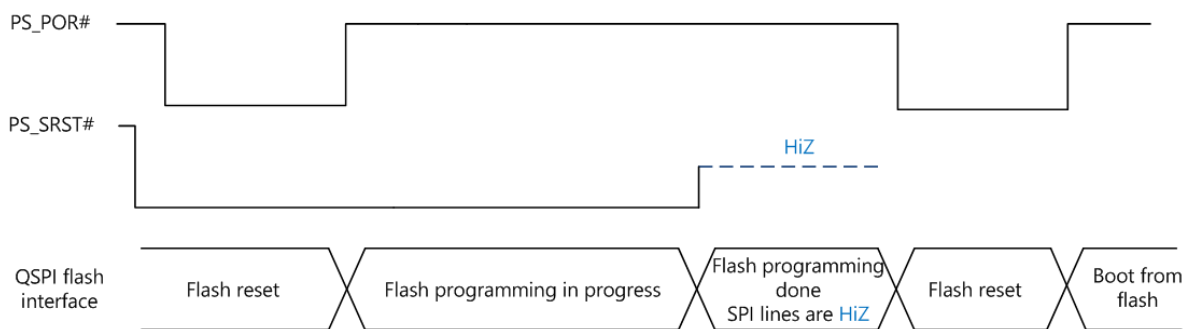


Figure 15: QSPI Flash Programming from an External SPI Master - Signal Diagrams

#### Warning!

*Accessing the QSPI flash directly without putting the MPSoC device into reset may damage the equipped MPSoC device, as well as other devices on the Mercury+ XU8 SoC module.*

### 3.13 Enclustra Module Configuration Tool

In combination with an Enclustra base board, the QSPI flash can be programmed using Enclustra Module Configuration Tool (MCT) [16]. For this method, a non-QSPI boot mode must be used during QSPI flash programming. The entire procedure is described in the reference design documentation.

Please note that the Xilinx Zynq devices do not support slave serial configuration, therefore only flash programming is supported by the Enclustra MCT for the Mercury+ XU8 SoC module.

# 4 I2C Communication

## 4.1 Overview

The I2C bus on the Mercury+ XU8 SoC module is connected to the MPSoC device and to the EEPROM, and is available on the module and debug connectors. This allows external devices to read the module type and to connect more devices to the I2C bus.

The I2C clock frequency should not exceed 400 kHz.

### Warning!

*Maximum I2C speed may be limited by the routing path and additional loads on the base board.*

### Warning!

*If the I2C traces on the base board are very long, 100  $\Omega$  series resistors should be added between module and I2C device on the base board.*

## 4.2 Signal Description

Table 40 describes the signals of the I2C interface - the pins are connected to both PS and PL. All signals have on-board pull-up resistors to VCC\_3V3.

All signals must be connected to open collector outputs and must not be driven high from any source. I2C\_INT# is an input to the MPSoC and must not be driven from the MPSoC device.

Level shifters are used between the I2C bus and MPSoC pins, as I/O banks 500 and 64 are supplied with 1.8 V and 1.2 V respectively. Please make sure that all pins are configured correctly and no pull-down resistors are enabled.

Signal Name	PS Pin	PL Package Pin	Connector Pin	Resistor
I2C_SDA	MIO11	AH13	A-113	2.2 k $\Omega$ pull-up
I2C_SCL	MIO10	AB13	A-111	2.2 k $\Omega$ pull-up
I2C_INT#	MIO12	-	A-115	4.7 k $\Omega$ pull-up

Table 40: I2C Signal Description

## 4.3 I2C Address Map

Table 41 describes the addresses for several devices connected on I2C bus.

Address (7-bit)	Description
0x64	Secure EEPROM
0x5C	Secure EEPROM (assembly option, refer to Section 2.25)

Table 41: I2C Addresses

## 4.4 Secure EEPROM

The secure EEPROM is used to store the module serial number and configuration. In the future, the EEPROM will be used for copy protection and licensing features. Please contact us for further information.

An example demonstrating how to read the module information from the EEPROM memory is included in the Mercury+ XU8 SoC module reference design.

### Warning!

*The secure EEPROM is for Enclustra use only. Any attempt to write data to the secure EEPROM causes the warranty to be rendered void.*

### 4.4.1 Memory Map

Address	Length (bits)	Description
0x00	32	Module serial number
0x04	32	Module product information
0x08	40	Module configuration
0x0D	24	Reserved
0x10	48	Ethernet MAC address
0x16	48	Reserved
0x1C	32	Checksum (only for DS28CN01 EEPROM type)

Table 42: EEPROM Sector 0 Memory Map

#### Module Serial Number

The module serial number is a unique 32-bit number that identifies the module. It is stored using big-endian byte order (MSB on the lowest address).

#### Module Product Information

This field indicates the type of module and hardware revision.

Module	Product Family	Reserved	Revision	Product Information
Mercury+ XU8 SoC module	0x0335	0x[XX]	0x[YY]	0x0335 [XX][YY]

Table 43: Product Information

### Module Configuration

Addr.	Bits	Comment	Min. Value	Max. Value	Comment
0x08	7-4	MPSoC type	0	2	See MPSoC type table (Table 45)
	3-0	MPSoC device speed grade	1	3	
0x09	7-6	Temperature range	0	2	See temperature range table (Table 46)
	5	Power grade	0 (Normal)	1 (Low power)	
	4-3	Gigabit Ethernet port count	0	2	
	2	RTC equipped	0	1	
	1-0	Reserved	-	-	
0x0A	7-2	Reserved	-	-	
	1-0	USB 2.0 port count	0	2	
0x0B	7-4	DDR4 ECC RAM (PS) size (GB)	0 (0 GB)	4 (8 GB)	Resolution = 1 GB
	3-0	DDR4 RAM (PL) size (GB)	0 (0 MB)	3 (4 GB)	Resolution = 1 GB
0x0C	7-4	eMMC flash size (GB)	0 (0 GB)	5 (16 GB)	Resolution = 1 GB
	3-0	QSPI flash memory size (MB)	0 (0 MB)	7 (64 MB)	Resolution = 1 MB

Table 44: Module Configuration

The memory sizes are defined as  $\text{Resolution} \times 2^{(\text{Value}-1)}$  (e.g. DRAM=0: not equipped, DRAM=1: 1 GB, DRAM=2: 2 GB, DRAM=3: 4 GB, etc).

Table 45 shows the available MPSoC types.

Value	MPSoC Device Type
0	XCZU4CG
1	XCZU5EV
2	XCZU7EV

Table 45: MPSoC Device Types

Table 46 shows the available temperature ranges.

Value	Module Temperature Range
0	Commercial
1	Extended
2	Industrial

Table 46: Module Temperature Range

### **Ethernet MAC Address**

The Ethernet MAC address is stored using big-endian byte order (MSB on the lowest address). Each module is assigned two sequential MAC addresses; only the lower one is stored in the EEPROM.

# 5 Operating Conditions

## 5.1 Absolute Maximum Ratings

Table 47 indicates the absolute maximum ratings for Mercury+ XU8 SoC module. The values given are for reference only; for details please refer to the Zynq UltraScale+ MPSoC, DC and AC Switching Characteristics Datasheet [20].

Symbol	Description	Rating	Unit
VCC_MOD	Supply voltage relative to GND	-0.5 to 16	V
VCC_BAT	Supply voltage for MPSoC battery-backed RAM and battery-backed RTC	0 to 3.6	V
VCC_IO_BN VCC_IO_BO	Output drivers supply voltage relative to GND	-0.5 to 3.4	V
VCC_CFG_MIO	Output drivers supply voltage relative to GND	-0.5 to 3.63	V
VCC_IO_B66	Output drivers supply voltage relative to GND	-0.5 to 2.0	V
V_IO	I/O input voltage relative to GND	-0.5 to $V_{CC0}+0.5$	V
Temperature	Temperature range for extended temperature modules (E)*	0 to +85	°C
	Temperature range for industrial modules (I)*	-40 to +85	°C

Table 47: Absolute Maximum Ratings



## 5.2 Recommended Operating Conditions

Table 48 indicates the recommended operating conditions for Mercury+ XU8 SoC module. The values given are for reference only; for details please refer to the Zynq UltraScale+ MPSoC, DC and AC Switching Characteristics Datasheet [20].

Symbol	Description	Rating	Unit
VCC_MOD	Supply voltage relative to GND	4.75 to 15.75	V
VCC_BAT	Supply voltage for MPSoC battery-backed RAM and battery-backed RTC	2.7 to 3.6	V
VCC_IO_[x] VCC_CFG_[x]	Output drivers supply voltage relative to GND	Refer to Section 2.9.5	V
V_IO	I/O input voltage relative to GND	-0.2 to V <sub>CC0</sub> +0.2	V
Temperature	Temperature range for extended temperature modules (E)*	0 to +85	°C
	Temperature range for industrial modules (I)*	-40 to +85	°C

Table 48: Recommended Operating Conditions

### Warning!

\* The components used on the hardware are specified for the relevant temperature range. The user must provide adequate cooling in order to keep the temperature of the components within the specified range.

# 6 Ordering and Support

## 6.1 Ordering

Please use the Enclustra online request/order form for ordering or requesting information:  
<http://www.enclustra.com/en/order/>

## 6.2 Support

Please follow the instructions on the Enclustra online support site:  
<http://www.enclustra.com/en/support/>

## List of Figures

1	Hardware Block Diagram	11
2	Product Code Fields	12
3	Module Label	13
4	Module Top View	14
5	Module Bottom View	14
6	Module Top Assembly Drawing	15
7	Module Bottom Assembly Drawing	15
8	Module Footprint - Top View	16
9	Pin Numbering for the Module Connector	17
10	Power-Up Sequence - VCC_IO in Relation with PWR_GOOD and PWR_EN Signals	23
11	USB 3.0 Implementation Example	43
12	Pull-Up During Configuration (PUDC) and Power-on Reset Delay Override (PORSEL)	46
13	Pull-Up During Configuration (PUDC) and Power-on Reset Delay Override (PORSEL) Resistors - Assembly Drawing Bottom View (lower right part)	47
14	JTAG Boot Mode Resistor - Assembly Drawing Top View (lower right part) for Revision 2 Modules	49
15	QSPI Flash Programming from an External SPI Master - Signal Diagrams	51

## List of Tables

1	Standard Module Configurations	12
2	Article Numbers and Article Codes	13
3	Mechanical Data	17
4	Module Connector Types	17
5	User I/Os	19
6	I/O Pin Exceptions - PERST#	19
7	I/O Pin Exceptions - Level Shifters	20
8	I/O Banks	21
9	VCC_IO Pins	22
10	MIO Pins Connections Overview	24
11	System Monitor (PL) Parameters	25
12	MGT Pairs	26
13	Generated Power Supplies	28
14	Power Converter Synchronization	29
15	Module Power Status and Control Pins	29
16	Voltage Supply Inputs	30
17	Voltage Supply Outputs	30
18	Heat Sink Type	31
19	Voltage Monitoring Outputs	32
20	Module Clock Resources	33
21	Reset Resources	33
22	User LEDs	34
23	Status LEDs	34
24	DDR4 SDRAM (PS) Types	35
25	DDR4 SDRAM (PS) Parameters	36
26	DDR4 SDRAM (PL) Types	37
27	DDR4 SDRAM (PL) Parameters	38
28	QSPI Flash Type	38
29	eMMC Flash Type	39
30	Gigabit Ethernet PHYs Type	40
31	USB1/ETH1 Selection	41
32	Gigabit Ethernet PHYs Configuration - Bootstraps	42
33	Gigabit Ethernet PHYs Configuration - RGMII Delays	42
34	USB 2.0 PHY Type	43
35	EEPROM Type	44

36	MPSoC Configuration Pins . . . . .	45
37	Boot Modes . . . . .	48
38	JTAG Interface - PL and PS Access and Debug . . . . .	49
39	SD Card Boot Modes . . . . .	50
40	I2C Signal Description . . . . .	52
41	I2C Addresses . . . . .	53
42	EEPROM Sector 0 Memory Map . . . . .	53
43	Product Information . . . . .	54
44	Module Configuration . . . . .	54
45	MPSoC Device Types . . . . .	54
46	Module Temperature Range . . . . .	55
47	Absolute Maximum Ratings . . . . .	56
48	Recommended Operating Conditions . . . . .	57

## References

- [1] Enclustra General Business Conditions  
<http://www.enclustra.com/en/products/gbc/>
- [2] Mercury+ XU8 SoC Module Reference Design  
<https://github.com/enclustra>
- [3] Mercury+ XU8 SoC Module IO Net Length Excel Sheet  
→ Ask Enclustra for details
- [4] Mercury+ XU8 SoC Module FPGA Pinout Excel Sheet  
→ Ask Enclustra for details
- [5] Mercury+ XU8 SoC Module User Schematics  
→ Ask Enclustra for details
- [6] Mercury+ XU8 SoC Module Known Issues and Changes  
→ Ask Enclustra for details
- [7] Mercury+ XU8 SoC Module Footprint  
→ Ask Enclustra for details
- [8] Mercury+ XU8 SoC Module 3D Model (PDF)  
→ Ask Enclustra for details
- [9] Mercury+ XU8 SoC Module STEP 3D Model  
→ Ask Enclustra for details
- [10] Mercury Mars Module Pin Connection Guidelines  
→ Ask Enclustra for details
- [11] Enclustra Mercury Master Pinout  
→ Ask Enclustra for details
- [12] Hirose FX10 Series Product Website  
<http://www.hirose-connectors.com/>
- [13] Mercury+ PE1 User Manual  
→ Ask Enclustra for details
- [14] Enclustra Build Environment  
→ Ask Enclustra for details
- [15] Enclustra Build Environment How-To Guide  
→ Ask Enclustra for details
- [16] Enclustra Module Configuration Tool  
<http://www.enclustra.com/en/products/tools/module-configuration-tool/>
- [17] Mercury Heatsink Application Note  
→ Ask Enclustra for details
- [18] Zynq UltraScale+ MPSoC Technical Reference Manual, UG1085, Xilinx, 2016
- [19] UltraScale Architecture System Monitor, UG580, Xilinx, 2015
- [20] Zynq UltraScale+ MPSoC, DC and AC Switching Characteristics, DS925, Xilinx, 2015
- [21] System Management Wizard v1.1 Product Guide, PG185, Xilinx, 2014
- [22] Zynq UltraScale+ MPSoC Overview, DS891, Xilinx, 2015
- [23] Zynq UltraScale+ Device, Packaging and Pinouts, Product Specification, UG1075, v1.6, Xilinx
- [24] Power Loss During the Write Register (WRR) Operation in Serial NOR Flash Devices – KBA221246, Cypress, 2017  
<https://community.cypress.com/docs/D0C-13833>
- [25] Forum Discussion “S25FL512S Recovery after Block Protection”, Cypress, 2017  
<https://community.cypress.com/thread/31856>