



■ Features :

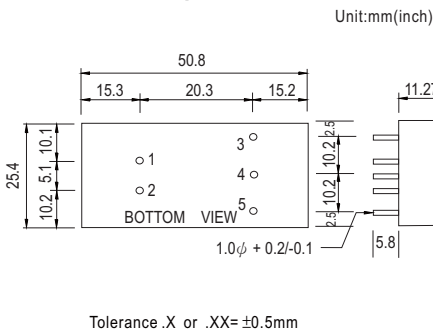
- 2:1 wide input range
- 4:1 wide input range(option)
- 1000VDC I/O isolation
- 3000VDC I/O isolation(option)
- Built-in EMI filter
- Protections: Short circuit / Overload
- Cooling by free air convection
- Six-sided shield metal case
- 100% burn-in test
- Low cost / High reliability
- Approvals: FCC / EAC / CE / UKCA
- 2 years warranty



SPECIFICATION

ORDER NO.	SKA15A-033	SKA15B-033	SKA15C-033	SKA15A-05	SKA15B-05	SKA15C-05	SKA15A-12	SKA15B-12	SKA15C-12	SKA15A-15	SKA15B-15	SKA15C-15		
OUTPUT	DC VOLTAGE			5V			12V			15V				
	CURRENT RANGE			300 ~ 3000mA			125 ~ 1250mA			100 ~ 1000mA				
	RATED POWER			15W										
	RIPPLE & NOISE (max.) Note.2			50mVp-p			60mVp-p			60mVp-p				
	LINE REGULATION Note.3			±0.2%										
	LOAD REGULATION Note.4			±0.5%										
	VOLTAGE ACCURACY			±2.0%										
	SWITCHING FREQUENCY			150KHz min.										
EXTERNAL CAPACITANCE LOAD (max.)			2700uF	2700uF	1000uF	2700uF	2700uF	1000uF	1800uF	1800uF	680uF	1500uF	1500uF	560uF
INPUT	VOLTAGE RANGE													
	EFFICIENCY (Typ.)													
	DC CURRENT													
	FILTER													
	PROTECTION													
PROTECTION (Note. 5)	OVER CURRENT													
	SHORT CIRCUIT													
ENVIRONMENT	WORKING TEMP.													
	WORKING HUMIDITY													
	STORAGE TEMP., HUMIDITY													
	TEMP. COEFFICIENT													
	VIBRATION													
SAFETY & EMC	SAFETY STANDARDS													
	WITHSTAND VOLTAGE													
	ISOLATION RESISTANCE													
	EMC EMISSION													
	EMC IMMUNITY													
OTHERS	MTBF													
	DIMENSION													
	WEIGHT													

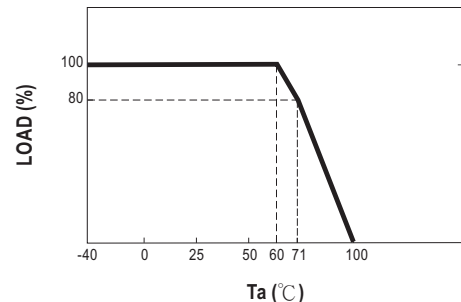
■ Mechanical Specification



■ Pin Configuration

Pin No.	Output
1	+Vin
2	-Vin
3	+Vout
4	No Pin
5	-Vout

■ Derating Curve



NOTE

- 1.All parameters are specified at normal input, rated load, 25°C 70% RH ambient.
 - 2.Ripple & noise are measured at 20MHz by using a 12" twisted pair terminated with a 0.1uf & 47uf capacitor.
 - 3.Line regulation is measured from low line to high line at rated load.
 - 4.Load regulation is measured from 10% to 100% rated load.
 - 5.Please prevent the converter from operating in overload or short circuit condition for more than 30 seconds.
- ※ Product Liability Disclaimer : For detailed information, please refer to <https://www.meanwell.com/serviceDisclaimer.aspx>