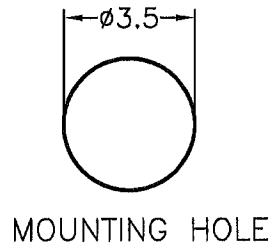
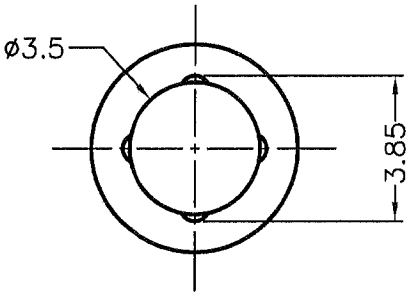
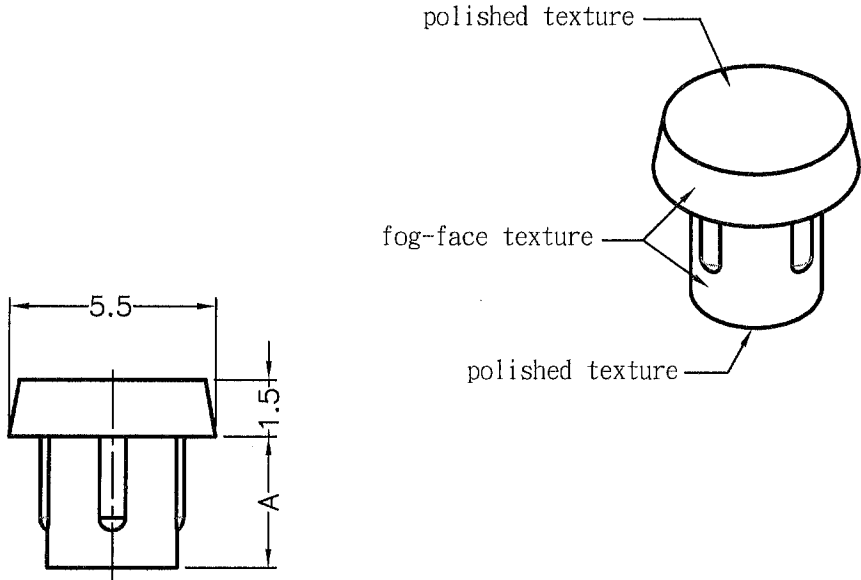




DIM.	TOL
L≤10	±0.2
10<L≤30	±0.3
30<L≤50	±0.5
50<L≤100	±0.7
100<L≤250	±1.2
ABOVE 250	±1.5

REVISIONS			
REV	DESCRIPTION	DATE	BY



PART NO.	A
LEM-150-3V01	3.0
LEM-150-3.5V01	3.5
LEM-150-4V01	4.0


 康揚企業股份有限公司
 KANG YANG HARDWARE ENTERPRISE CO., LTD.
 康揚塑膠(東莞)有限公司
 KANG YANG PLASTIC(DONG GUAN) CO., LTD.
 康哲電腦配件(吳江)有限公司
 KANG CHE COMPUTER COMPONENTS(WUJIANG) CO., LTD.

TITLE	Light pipe	SPEC. DWG.
MATERIAL	PC UL94V-0	DATE 2012.10.26
FINISH		DRAWN ALBERT
COLOR	NATURAL	CHECK 
UNLESS OTHERWISE SPECIFIED TOLERANCE	SEE ABOVE	APPROVED 

PART NUMBER	SEE ABOVE	DRAWING NUMBER	LEM-150-HV01
SIZE	A4	SCALE	5:1
UNIT	mm	REV	A