



ANATECH ELECTRONICS INC
RF & Microwave Filters & Products

123.425 MHz Bandpass Filter

Part Number: AE123.425B10493



Electrical Specifications

Center Frequency: 123.5 MHz

VSWR: 1.50:1

Insertion Loss: <1 dB

Impedance: 50 Ohms

Return Loss : 6 dB

Rejection: <-28dB @ <121 MHz

Rejection: <-28dB @ >125 MHz

Power Handling : 50 watts

Mechanical

Mounting Method: Threaded Through Holes

Connector Type: N-type(Female)

Dimensions: 8.5" X 3.250" x 1.50" in.

Environmental

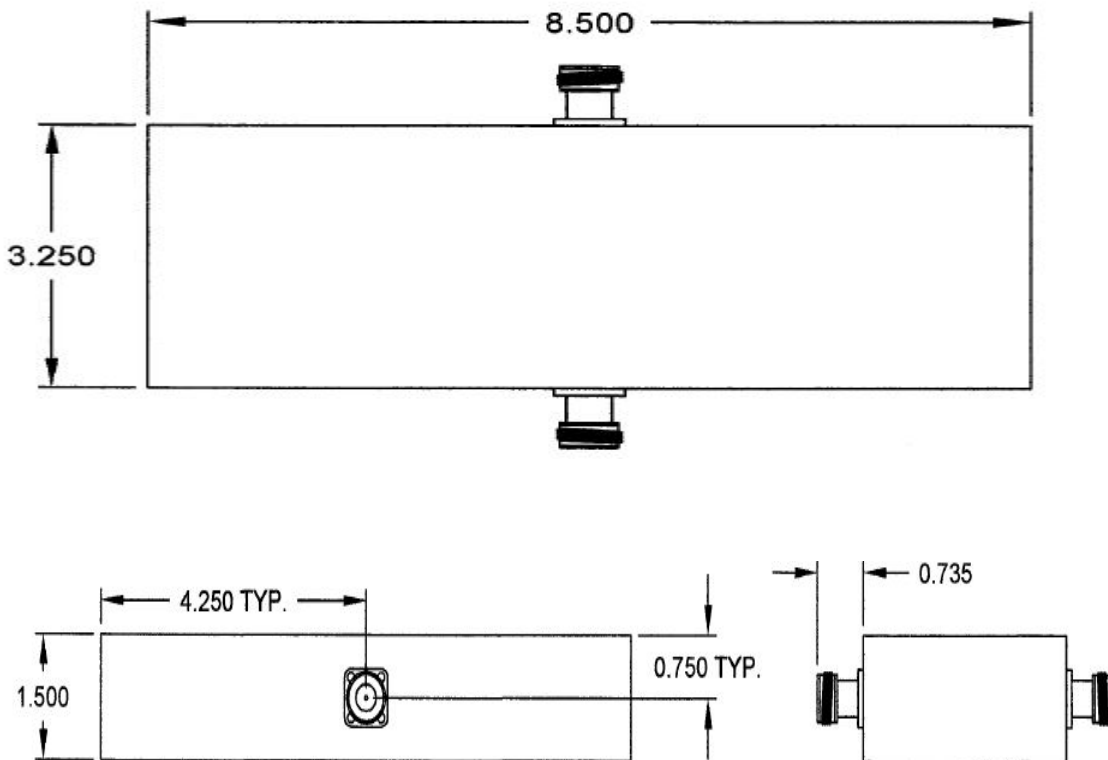
Operating Temperature: -25°C to +70°C

Storage Temperature: -40°C to +90°C

Shock: 10 G. 11ms

Vibration: 10 G. 5 to 200Hz

Outline Drawing:





ANATECH ELECTRONICS INC
RF & Microwave Filters & Products

123.425 MHz Bandpass Filter

Part Number: AE123.425B10493



Response Plot:

