

Lighting Controls

DATE:	LOCATION:
TYPE:	PROJECT:
CATALOG #:	

LIGHTHAWK® DIMMING PIR WALL SWITCH SENSOR

WALL SWITCH OCCUPANCY SENSORS

FEATURES

- Digital passive infrared (PIR) sensor
- IntelliDAPT® self-adaptive technology; no manual adjustment required
- Single circuit on/off switching with 0-10V dimming control
- Occupancy (auto-ON) and Vacancy (manual-ON) operating modes
- 1,000 square-foot, 180° coverage area
- RhinoTuff™ vandal resistant lens
- 120/277VAC and 347VAC models
- Zero Arc Point Switching



SPECIFICATIONS

CONSTRUCTION

- Casing - high - Impact injection - molded plastic (UL-94-5V Impact-resistance lens)
- Color-coded leads are 6" (152.4mm) long
- Wrap around galvanized steel mounting strap
- 2.9 oz. (82.21g)
- White; Ivory; Light Almond; Gray; Black
- Quad-element pyrometer and 12-element cylindrical RhinoTuff lens

MOUNTING

- Single-gang NEMA-style switch box (standard switch box - max mounting height: 48")
- Decorator-style wall plate sold separately

ELECTRICAL

- 0-10V, Sink up to 30mA
- Natural light override range: 10-500 foot-candles
- 120/277VAC; 50/60Hz
- 347VAC; 50/60Hz
- 120VAC: 800W Incandescent/ Electronic Ballast/ LED Driver, 1,000W Magnetic Ballast, 1/8 HP Motor
- 277VAC: 1,800W Magnetic Ballast/ Electronic Ballast/ LED Driver, 1/8 HP Motor

ELECTRICAL (CONTINUED)

- 347VAC: 1,500W Magnetic Ballast/ Electronic Ballast/ LED Driver, 1/8 HP Motor

OPERATIONS

- IntelliDAPT
 - Self-adjusting timer
 - Self-adjusting Ultrasonic (US) and passive infrared (PIR) sensitivity
 - Automatic false-on/ false-off corrections
 - No manual adjustments required
- Coverage
 - 1,000 square-foot, 180° coverage area
- Timer Settings
 - Auto mode: 4-20 minutes; self-adjusts based on occupancy
 - Fixed mode: 4, 8, 16, and 20 minutes
 - Test mode: 5 seconds

OPERATING ENVIRONMENT

- Indoor use only
- Operating temperature: 32° to 104°F (0° to 40°C)
- Relative humidity (non-condensing): 0% to 95%

CERTIFICATIONS

- UL and cUL listed
- This product qualifies as both (i) a "domestic construction material" per FAR §52.225-9 Buy American-Construction Materials and a "(COTS) item" per FAR §2.101 and (ii) a "designated country construction material" per FAR 52.225-11 Buy American-Construction Materials under Trade Agreements effective 5/27/2020.
- This product qualifies as "designated country construction material" per FAR 52.225-11 Buy American-Construction Materials under Trade Agreements effective 5/27/2020.

WARRANTY

- 5 year warranty

Lighting Controls

LIGHTHAWK® DIMMING PIR WALL SWITCH SENSOR

WALL SWITCH OCCUPANCY SENSORS

ORDERING GUIDE

Example: LHRDMIRS3-N-WH-U

CATALOG #

LHRDMIRS	3				
Series	Buttons	Wiring	Color	Mode*	BAA/TAA**
LHRDMIRS Light-HAWK Dimming Passive Infrared Single Relay, 0-10V Dimming	3 3	N Neutral (120/277V) N347 Neutral (347V) ¹	WH White IV Ivory LA Light Almond GY Gray BK Black	Blank Switchable Vacancy or Occupancy Mode M Vacancy Mode Only	Blank Standard Product U BAA T TAA

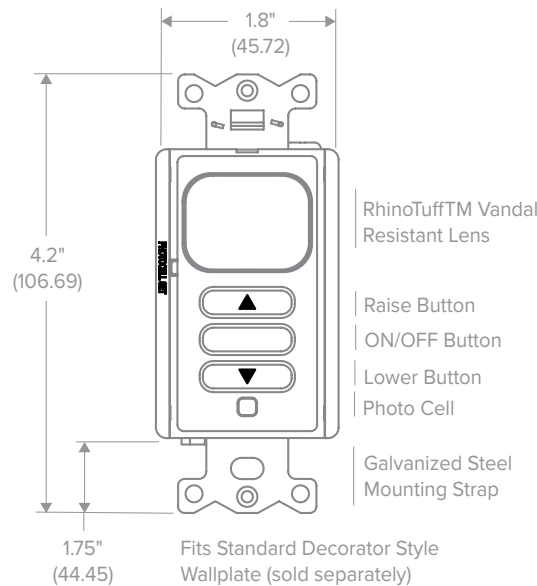
Notes:

- 1 347V option only available in white (WH)
- * Please see vacancy mode only options table below
- ** Please see Buy American Solutions table below

*Vacancy Mode Only Options
LHRDMIRS3-N-WH-M

**Buy American Solutions	
BAA	TAA
FAR \$52.225-9	FAR \$52.225-11
LHRDMIRS3-N-WH	LHRDMIRS3-N-WH

DIMENSIONS



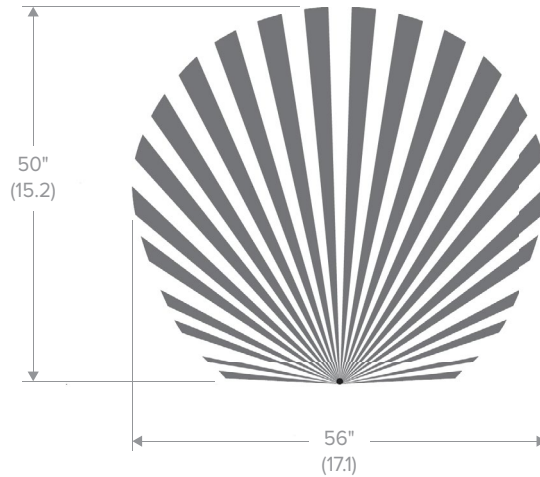
Lighting Controls

LIGHTHAWK® DIMMING PIR WALL SWITCH SENSOR

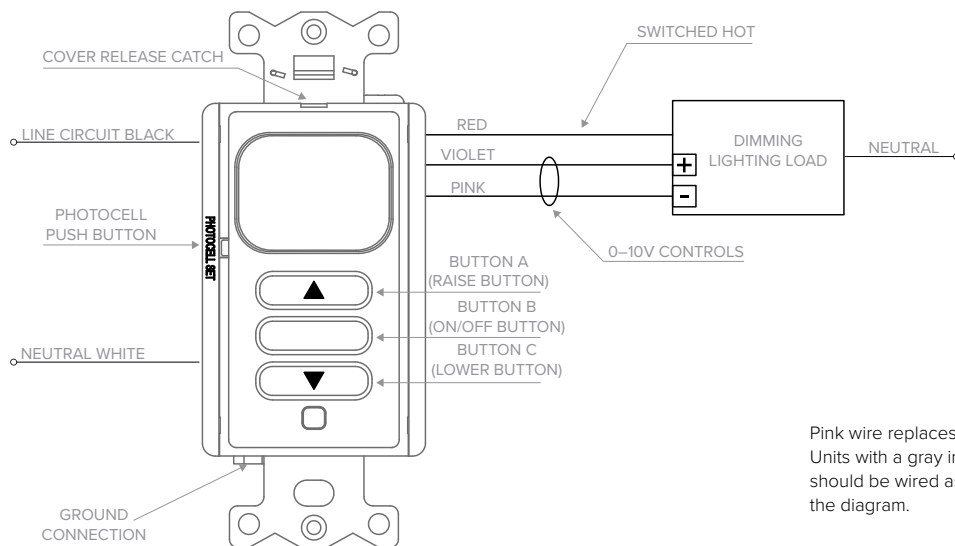
WALL SWITCH OCCUPANCY SENSORS

ADDITIONAL INFORMATION

Coverage Pattern



Wiring Diagram



Pink wire replaces previous gray wire. Units with a gray instead of pink wire should be wired as the pink wire shown in the diagram.

SINGLE LOAD WIRING