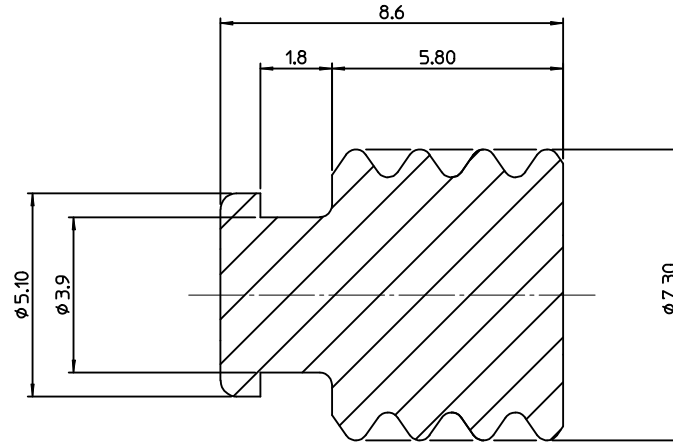
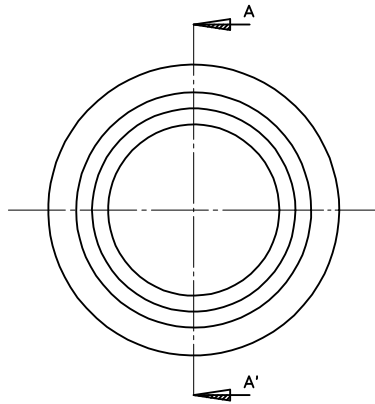
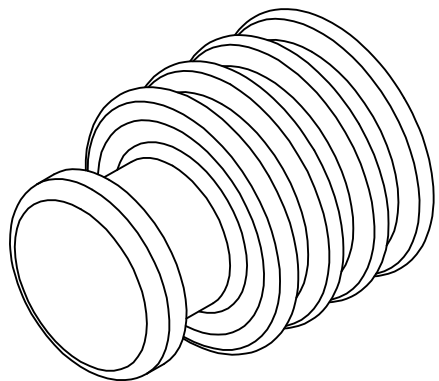
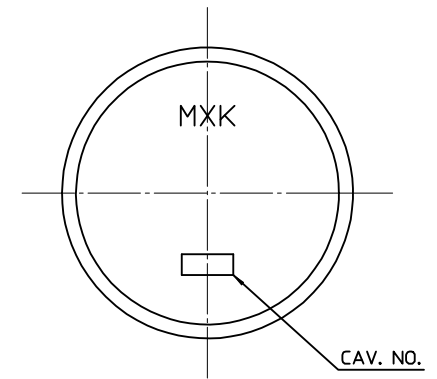


NOTES

1. MATERIAL : INTERNALLY LUBRICATED SILICONE
2. COLOR : RED
3. APPLICABLE SOCKET ASS'Y : 49454, 104035, 104036  
104037, 104038, 104039



SECTION A-A'



ISOVIEW

<TABLE 1>

MATERIAL NO.	ORDER NO.
494549004	49454-9004
DESIGN UNITS METRIC	THIRD ANGLE PROJECTION

<b>NEW RELEASED</b> EC NO: KOR2010-0103 DRWNER: EOKIM 2010/10/27 CHKD: BCY00N 2010/10/28 APPR: YUNSIKKIM 2010/10/28 A	DESCRIPTION QUALITY SYMBOLS ▽=0 ▽=0	GENERAL TOLERANCES (UNLESS SPECIFIED)		DIMENSION STYLE MM ONLY		SCALE 8:1	TITLE S8 BULB SOCKET DUMMY SEAL		
		4 PLACES	± ---	± ---	DRAWN BY	DATE	MOLEX INCORPORATED SD-49454-005		
		3 PLACES	± 0	± ---	EOKIM	2009/10/20			
		2 PLACES	± 0.15	± ---	CHECKED BY	DATE	SHEET NO. 1 OF 1		
1 PLACE	± 0.20	± ---	BCY00N	2009/10/20					
ANGULAR ± 1 °		DRAFT WHERE APPLICABLE MUST REMAIN WITHIN DIMENSIONS		APPROVED BY EHJUNG	DATE 2009/10/20	DOCUMENT NO. SD-49454-005		THIS DRAWING CONTAINS INFORMATION THAT IS PROPRIETARY TO MOLEX INCORPORATED AND SHOULD NOT BE USED WITHOUT WRITTEN PERMISSION	