

# Spec Sheet

|       |                  |
|-------|------------------|
| ITEM  | MOTION PIR BOARD |
| MODEL | FF-DigiPyro1598  |
| REV   | Rev. 01          |
| DATE  | 2019.09.13       |

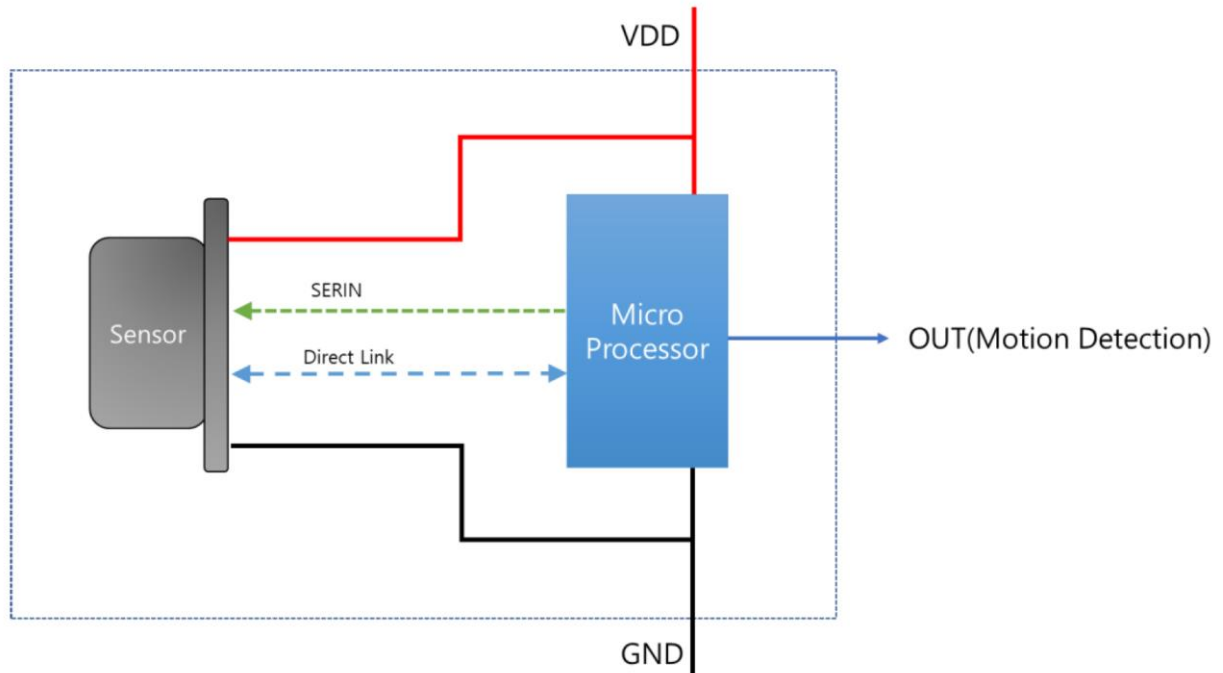
- contact

Ashton Myung KIM (김명중)

Ashton@fresnelfactory.com

+82 10 5248 4630 / +82 70 7605 1652

## 1. Block Diagram (FF-DigiPyro1598)



## 2. Product Overview

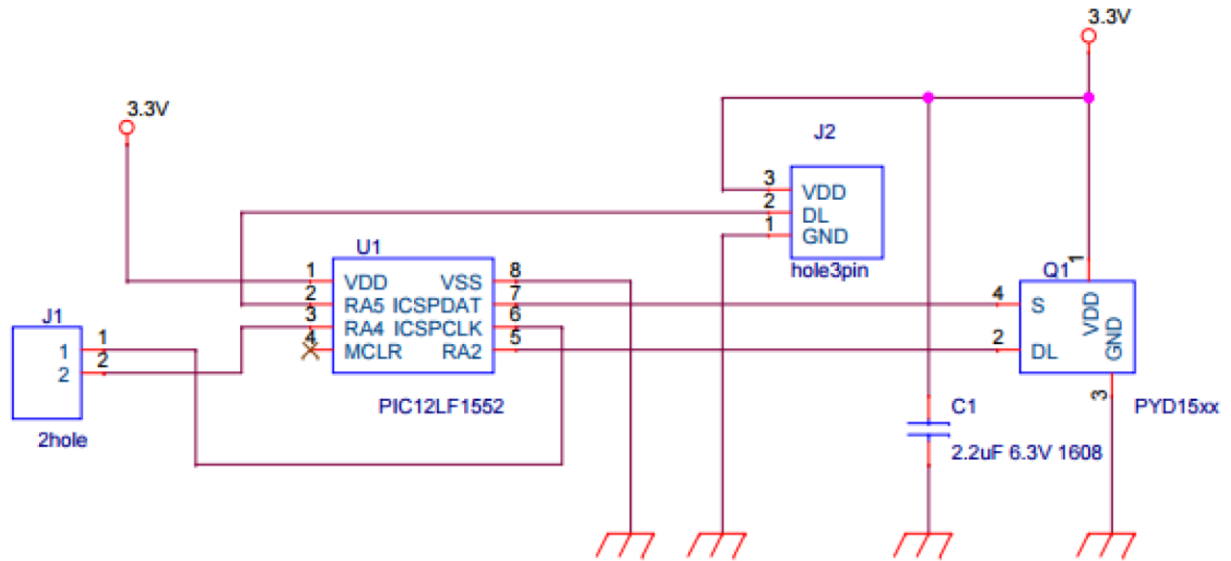
The module is a motion sensor that is using PYD1598, Excelitas to detect the temperature difference between the environment and humans or animals. The module has its own motion-detecting algorithm and easily changes the setting by configuration that is called SERIN. Also, the FF-DigiPyro1598 can build an additional algorithm for more detailed and complex motion detection by signals from Direct Link.

## 3. Electrical Specification

| Parameter                            | Symbol   | Min | Typ | Max | Remarks                   |
|--------------------------------------|----------|-----|-----|-----|---------------------------|
| Operating Voltage(V)                 | $V_{DD}$ | 1.8 | 3   | 3.6 |                           |
| Supply Current(uA)                   | $I_{DD}$ |     | 3   |     | $V_{DD} = 1.8V$ , no load |
| Output Signal(V)                     | OUT      |     | 3   |     | $V_{DD} = 3V$             |
| Operating Temperature( $^{\circ}C$ ) |          | -20 |     | 75  |                           |
| Storage Temperature( $^{\circ}C$ )   |          | -20 |     | 85  |                           |



## 6. Circuit



## 7. Fresnel Lens Recommendation

PD09-12008 for various applications

PD08-10B and PF63-10 for people counter

For more choices, please visit [FresnelFactory.com](http://FresnelFactory.com) or [Digikey.com](http://Digikey.com)

Application book Link

[https://www.fresnelfactory.com/fresnel\\_list/PIR\\_seriesFresnel\\_lens\(Ver.4\).pdf](https://www.fresnelfactory.com/fresnel_list/PIR_seriesFresnel_lens(Ver.4).pdf)