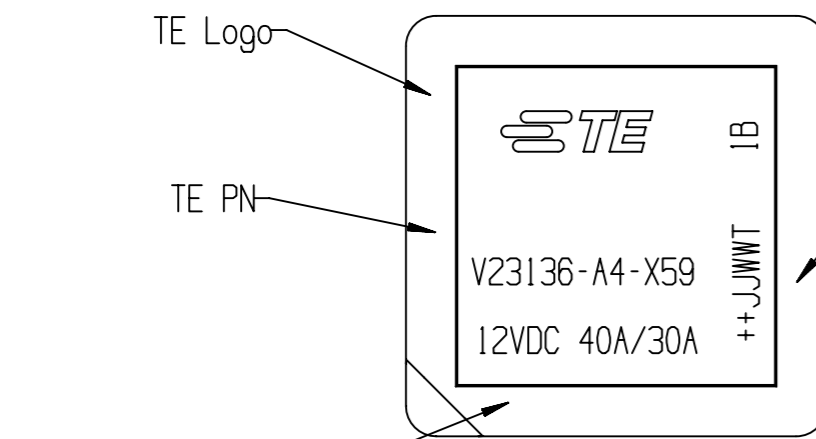
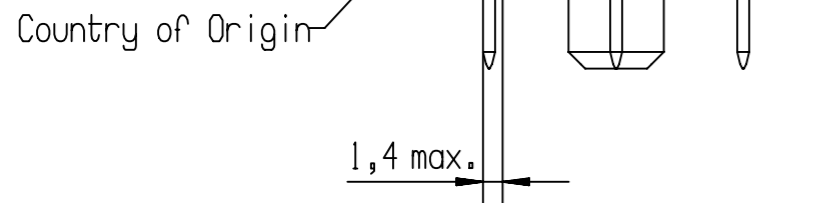
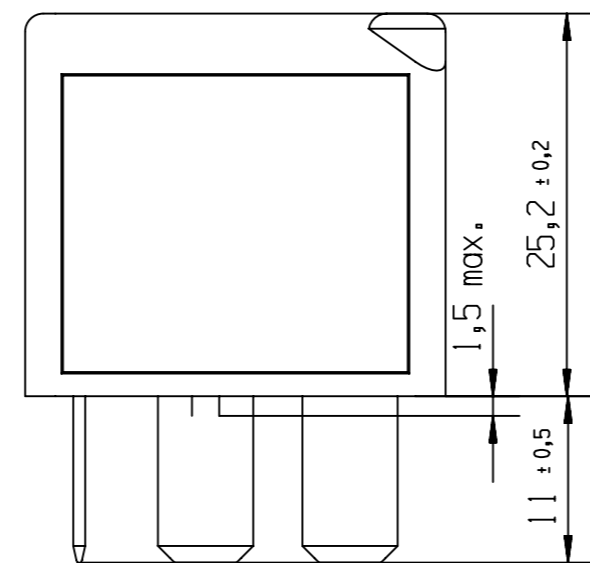
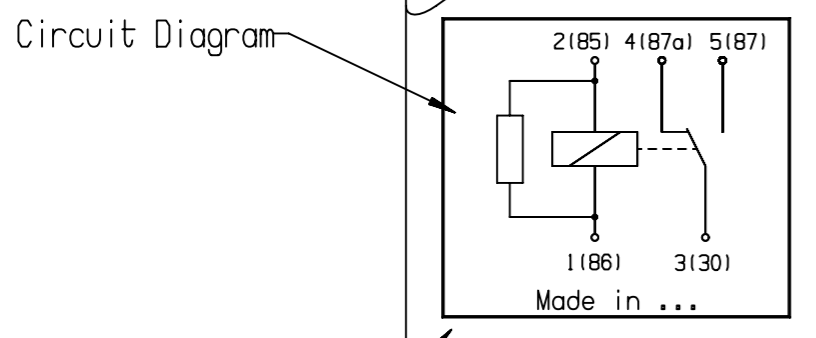


Dustproof:
 Protection class IP 54 To IEC 529 (EN 60529)
 All plug-terminals
 Terminals shape similar to ISO 8092-1
 Coil Terminals 1 and 2: 6.3 x 0.8 mm
 Load Terminals 3, 4 and 5: 6.3 x 0.8 mm
 Integrated components: Resistor

| PART | MATERIAL | COLOUR |
|---------------------------|---------------|-----------------------------|
| Cover | PA 66 GF 25 | Black sim. to RAL 9005 |
| Base | PA 66 GF 25 | Black sim. to RAL 9005 |
| Coil Terminals 1 and 2 | SE-Cu 57...58 | Pre-tinned Sn 2...6 microns |
| Load terminals 3, 4 and 5 | E-Cu 57...58 | Pre-tinned Sn 2...6 microns |



Date Code:
 ++ = EVORA
 JJ = Year
 WW = Week
 T = Day
 I = Assembly Line
 B = Shift

| PART NUMBER | PART NAME | COUNTRY OF ORIGIN |
|-------------|-------------------------|-------------------|
| 1-1414687-0 | V23136A0004X059-EV-CBOX | Portugal |
| 7-1904112-0 | V23136A0004X059-SZ-CBOX | China |

| | | | |
|--|--|--|------------------|
| PROPRIETARY THE REPRODUCTION, TRANSMISSION OR USE OF THIS DOCUMENT OR IT'S CONTENTS IS NOT PERMITTED WITHOUT EXPRESSED WRITTEN AUTHORITY. OFFENDERS WILL BE LIABLE FOR ALL DAMAGES. ALL RIGHTS, INCLUDING RIGHTS CREATED BY REGISTERED PATENT(S) GRANTED FOR A UTILITY MODEL OR DESIGN, ARE RESERVED. | | CHANGES TO THIS DRAWING MUST BE DONE ONLY IN CAD | PAPER SIZE A3 |
| APPLICABLE SPEC.: | | FINISH | |
| TOLERANCE UNLESS SPECIFIED OTHERWISE | | DIMENSIONS APPLY | PLATING |
| DIMENSIONS IN MM | | SCALE 1:1; 2:1 | WEIGHT |
| MATERIAL | | PART NAME Power FA Change Over Relay | |
| DATE 23JUN2015 NAME L.Sandoval | | DWG NO. V23136-A0004-X059-CD | |
| LOCATION PE EVORA | | SHT. 1 | |
| REV. CHANGE ORDER DATE APP. | | CUSTOMER DRAWING OF 1 | |

