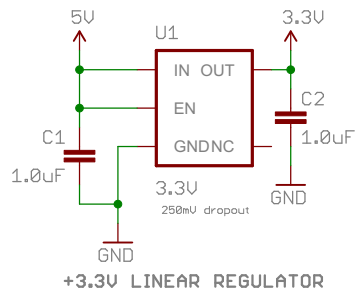
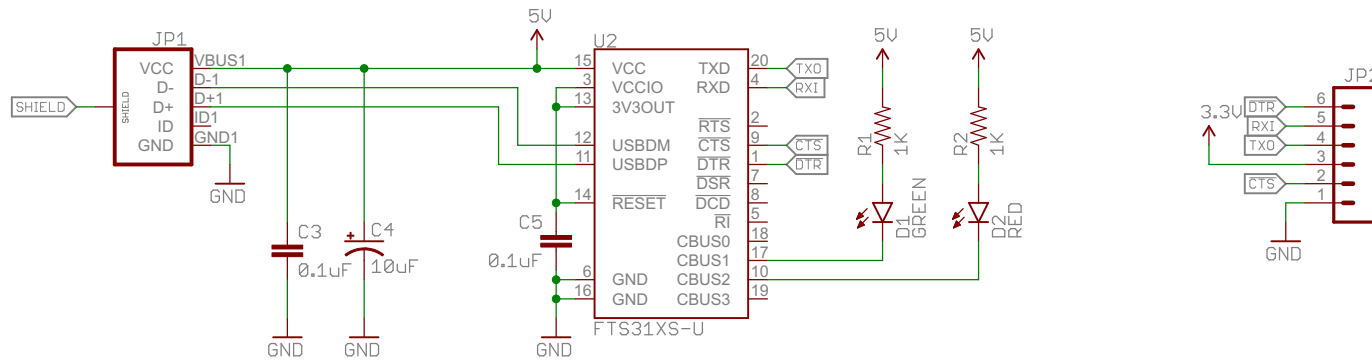


THIS PCBA IS DESIGNED FOR +3.3V IO AND VOLTAGE SOURCING



sparkfun

Released under the Creative Commons Attribution Share-Alike 4.0 License
<https://creativecommons.org/licenses/by-sa/4.0/>



TITLE: SparkFun_Beefy_3_v10

Design by Brent Wilkins

REV: v10



Date: 1/27/2016 3:39:38 PM

Sheet: 1/1