

## R95-121



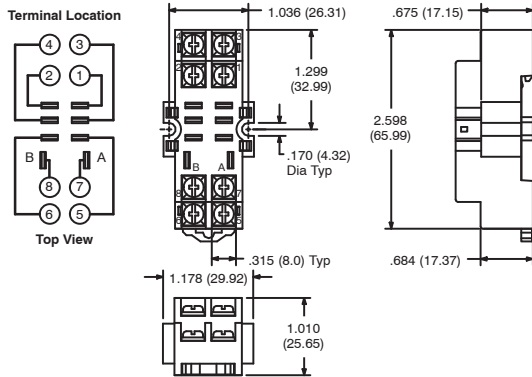
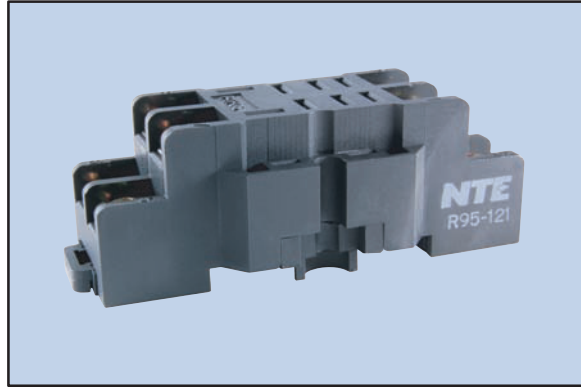
## 8-Pin Midget Blade Socket

### Features

- Panel/Surface Mount
- DIN Rail Mountable
- Pressure Clamp Screws
- Accepts .187" Blade Terminals
- Hold down clip not supplied with socket, available separately (R95-001)

### Electrical Rating:

300 Volts, 10 Amps



## R95-122



## 14-Pin Blade Socket

### Features

- Panel Mount
- Solder Terminals
- 4PDT Applications
- Hold down clip not supplied with socket, available separately (R95-001)

### Electrical Rating:

300 Volts, 10 Amps

