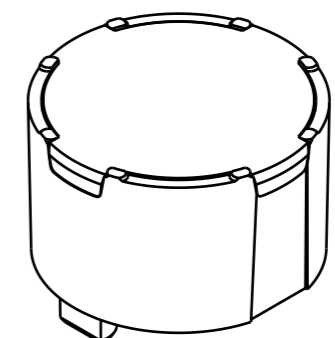
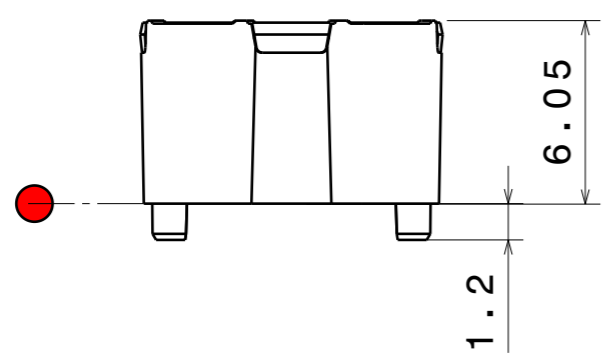


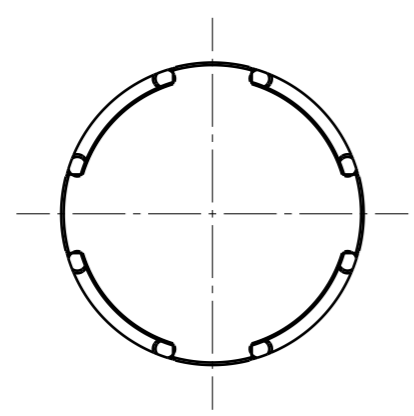
Bottom view



Isometric view
Scale: 4:1



Front view



Top view

FP16610_LISA3CSP-WW-PIN
COMPONENTS

INDEX	PART	TYPE	MATERIAL	COLOR / COATING
1	F16554_LISA3-WW	LENS	PMMA	CLEAR
2	F16564_LISA3-HLD2-PIN	HOLDER	PC	BLACK

MECHANICAL DRAWING		LEDiL [®]
PRODUCT LISA3		
Plastic moulding general tolerances according to DIN 16901-130 and applies if not otherwise shown in the drawing. Silicone moulding general tolerances according to ISO 3302-1 Class M3 and applies if not otherwise shown in the drawing.	FIRST ANGLE PROJECTION: 	This drawing is the property of LEDiL Oy. It may not be copied or otherwise distributed without prior written permission from LEDiL Oy.
SCALE 4:1	WEIGHT 0,45 g	A3 SHEET 1/1

Notes

	PCB or heatsink level.
	LED location
	Ensure LED fitting from a product specific 3D model available from www.ledil.com
	For more details about installation please see LEDiL Installation Guide on www.ledil.com