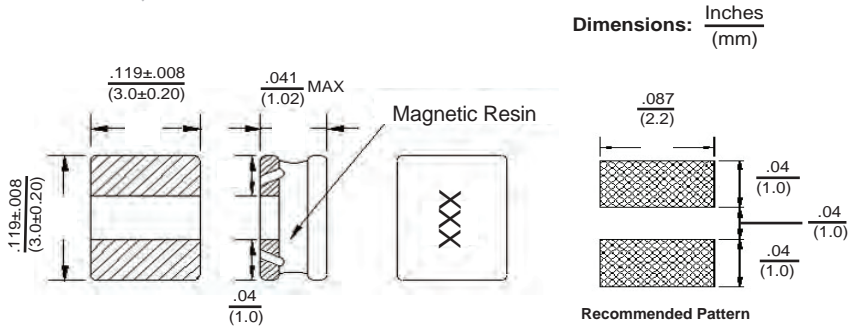




SMD SEMI SHIELDED POWER CHIP INDUCTOR

PCFV30



Allied Part Number	Inductance (μh)	Tolerance (%)	Test Freq. MHz, 200mV	RDC (Ω) ±30%	Isat (A) (Max)	Irms (A) (Max)	Marking
PCFV30-1R5M-RC	1.5	20	1	.085	1620	1530	1R5
PCFV30-2R2M-RC	2.2	20	1	.100	1350	1260	2R2
PCFV30-4R7M-RC	4.7	20	1	.205	900	850	4R7
PCFV30-6R8M-RC	6.8	20	1	.310	780	760	6R8
PCFV30-100M-RC	10	20	1	.430	570	560	100
PCFV30-150M-RC	15	20	1	.625	500	490	150
PCFV30-220M-RC	22	20	1	.870	420	410	220

All specifications subject to change without notice.

Features

- Semi Magnetically Shielded
- High Current
- Low DC Resistance
- Ultra Low Profile, 1.02mm

Electrical

Inductance Range: 1.5μh ~ 22μh (other values being added)

Tolerance: Available in 20%

Operating Temp: -55°C ~ +125°C

Isat: Current at which the Inductance will drop by no more than 30% of its initial value.

Irms: Based on a temp rise of ΔT = 40°C typical above Ambient Temp.

Resistance to Soldering Heat

Pre-Heat 150°C, 1 Min.

Solder Composition: Sn/Ag3.0/Cu0.5

Solder Temp: 260°C +/- 5°C for 10 sec

Test Equipment

(L): HP4287A + HP16197A

(RDC): Chroma MilliOhm Meter 16502

Current: HP4284A + HP42841A

Physical

Packaging: 2000 per Tape and reel

Marking: EIA Inductance code

