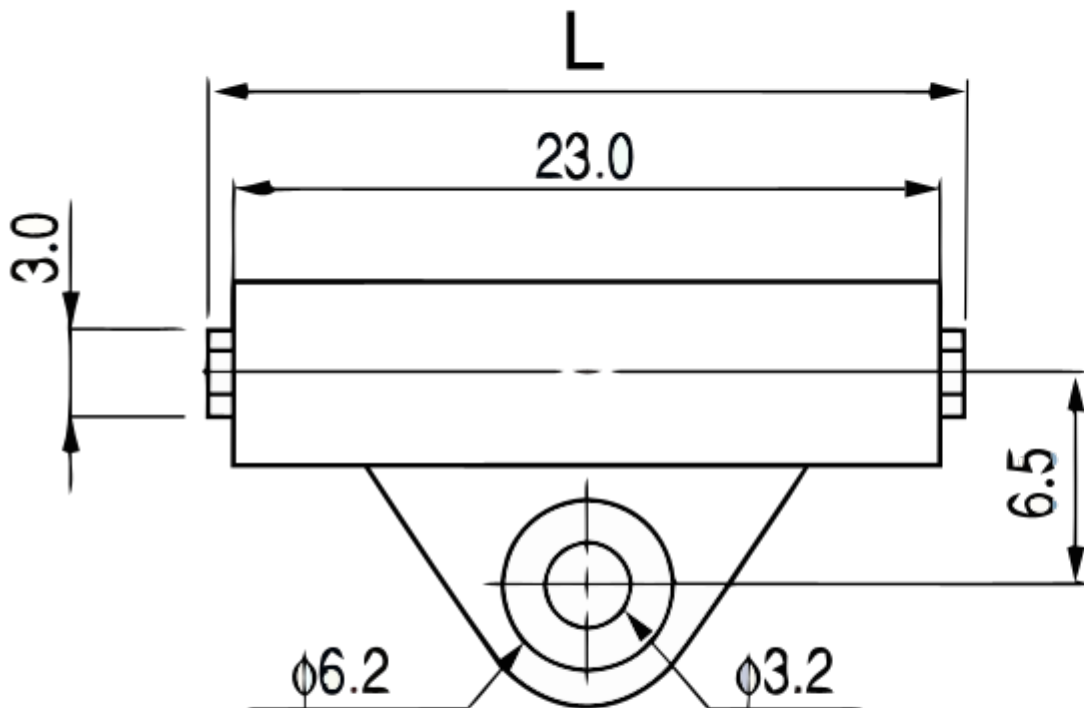


OHD3-110M

Aliases (USEO3110M00000)

KEMET, OHD, Thermal Reed Switch, Radial Tab, 5C Temperature Accuracy, High Reliability, High-Speed Response, Long Operational Life, Excellent Environmental Durability, High Temperature Accuracy, 110°C, Make



0.5
3.7

Click [here](#) for the 3D model.

Dimensions

L 27mm MAX

Dimensions

H 6mm

T 13.5mm

Packaging Specifications

Packaging Tray, Box

Packaging Quantity 1000

Component Weight 2.8 g

General Information

Series OHD

Type Thermal Reed Switch

Style Radial Tab

Description Thermal Guard

Features High Reliability, High-Speed Response, Long Operational Life, Excellent Environmental Durability, High Temperature Accuracy

Lead Tab Leads

RoHS Yes

REACH Yes

Qualifications UL, CSA, TUV

Specifications

Switching Temperature 110C +/-5C

Temperature Range -20/+150°C

Contact Type Make

Voltage DC 110 VDC MAX (Opening/Closing), 2500 VAC/1 minute or 3000 VAC/1 second

Voltage AC 110 VAC MAX (Opening/Closing)

Current 0.3 Amps AC/DC MAX (Opening/Closing), 0.1 mAmps MIN (1VDC, Opening/Closing)

Resistance 150 mOhms MAX (Contact Resistance)

Max Opening/Closing Power 6 W (AC/DC)

Max Opening/Closing Voltage 110 V (AC/DC)

Differential Temperature 10C Maximum

Statements of suitability for certain applications are based on our knowledge of typical operating conditions for such applications, but are not intended to constitute - and we specifically disclaim - any warranty concerning suitability for a specific customer application or use. This Information is intended for use only by customers who have the requisite experience and capability to determine the correct products for their application. Any technical advice inferred from this Information or otherwise provided by us with reference to the use of our products is given gratis, and we assume no obligation or liability for the advice given or results obtained.

Generated 5/18/2023 - b9e538a0-41b9-43ae-9fb8-c373a971b7f2

© 2006 - 2023 KEMET

Generated 5/18/2023 - b9e538a0-41b9-43ae-9fb8-c373a971b7f2

© 2006 - 2023 KEMET