

CentralTM Semiconductor Corp.

145 Adams Ave., Hauppauge, NY 11788 USA
Phone (631) 435-1110 FAX (631) 435-1824

Manufacturers of World Class Discrete Semiconductors
www.centalsemi.com

MPQ3798
MPQ3799

PNP SILICON QUAD TRANSISTOR

TO-116 CASE

DESCRIPTION:

The CENTRAL SEMICONDUCTOR MPQ3798, MPQ3799 types are comprised of four independent Silicon PNP Transistors mounted in a 14 PIN DIP, designed for low level and low noise applications.

MAXIMUM RATINGS: ($T_A=25^\circ\text{C}$)

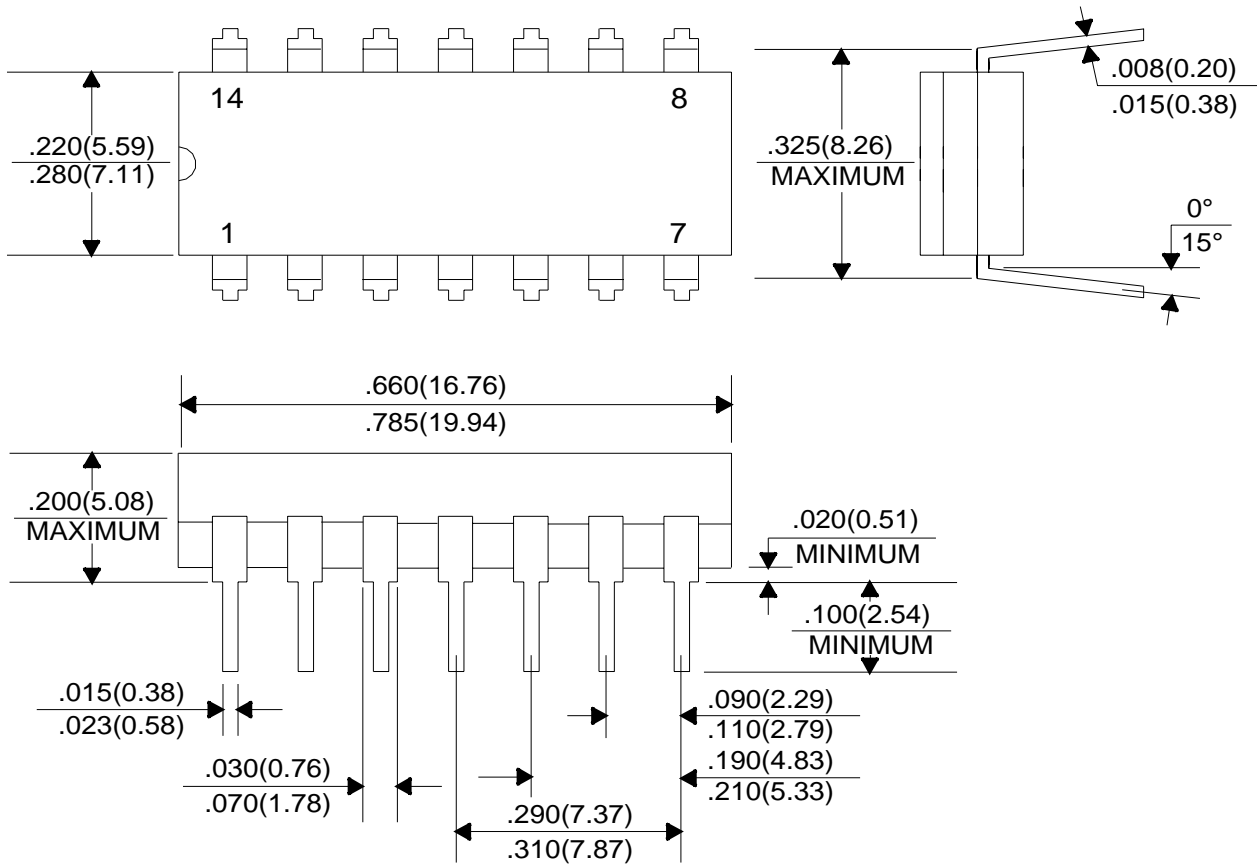
	SYMBOL	MPQ3798	MPQ3799	UNITS
Collector-Base Voltage	V_{CBO}	60	60	V
Collector-Emitter Voltage	V_{CEO}	40	60	V
Emitter-Base Voltage	V_{EBO}		5.0	V
Collector Current	I_C		50	mA
Power Dissipation (Each Transistor)	P_D		500	mW
Power Dissipation (Total Package)	P_D		900	mW
Operating and Storage Junction Temperature	T_J, T_{stg}		-65 to +150	$^\circ\text{C}$
Thermal Resistance (Total Package)	Θ_{JA}		139	$^\circ\text{C/W}$

ELECTRICAL CHARACTERISTICS: ($T_A=25^\circ\text{C}$ unless otherwise noted)

SYMBOL	TEST CONDITIONS	MPQ3798		MPQ3799		UNITS
		MIN	MAX	MIN	MAX	
I_{CBO}	$V_{CB}=50\text{V}$		10		10	nA
I_{EBO}	$V_{EB}=3.0\text{V}$		20		20	nA
BV_{CBO}	$I_C=10\mu\text{A}$	60		60		V
BV_{CEO}	$I_C=10\text{mA}$	40		60		V
BV_{EBO}	$I_E=10\mu\text{A}$	5.0		5.0		V
$V_{CE(SAT)}$	$I_C=100\mu\text{A}, I_B=10\mu\text{A}$		0.2		0.2	V
$V_{CE(SAT)}$	$I_C=1.0\text{mA}, I_B=100\mu\text{A}$		0.25		0.25	V
$V_{BE(SAT)}$	$I_C=100\mu\text{A}, I_B=10\mu\text{A}$		0.7		0.7	V
$V_{BE(SAT)}$	$I_C=1.0\text{mA}, I_B=100\mu\text{A}$		0.8		0.8	V
h_{FE}	$V_{CE}=5.0\text{V}, I_C=10\mu\text{A}$	100		225		
h_{FE}	$V_{CE}=5.0\text{V}, I_C=100\mu\text{A}$	150		300		
h_{FE}	$V_{CE}=5.0\text{V}, I_C=500\mu\text{A}$	150		300		
h_{FE}	$V_{CE}=5.0\text{V}, I_C=10\text{mA}$	125		250		
f_T	$V_{CE}=5.0\text{V}, I_C=1.0\text{mA}, f=100\text{MHz}$	60		60		MHz
C_{ob}	$V_{CB}=5.0\text{V}, I_E=0, f=1.0\text{MHz}$		4.0		4.0	pF
C_{ib}	$V_{EB}=0.5\text{V}, I_C=0, f=1.0\text{MHz}$		8.0		8.0	pF
NF	$V_{CE}=10\text{V}, I_C=100\mu\text{A}, R_S=3\text{k}\Omega,$ $f=10\text{Hz to } 15.7\text{kHz}$		2.5 TYP		1.5 TYP	dB

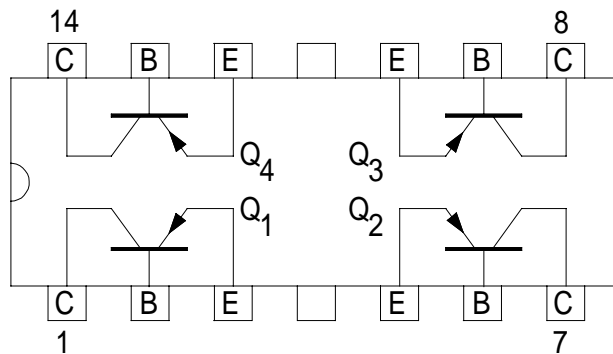
(SEE REVERSE SIDE)

TO-116 CASE - MECHANICAL OUTLINE



All Dimensions in Inches (mm).

PIN CONFIGURATION



CentralTM
Semiconductor Corp.

145 Adams Ave., Hauppauge, NY 11788 USA
Phone (631) 435-1110 FAX (631) 435-1824

Manufacturers of World Class Discrete Semiconductors
www.centralsemi.com

OUTSTANDING SUPPORT AND SUPERIOR SERVICES



PRODUCT SUPPORT

Central's operations team provides the highest level of support to insure product is delivered on-time.

- Supply management (Customer portals)
- Inventory bonding
- Consolidated shipping options
- Custom bar coding for shipments
- Custom product packing

DESIGNER SUPPORT/SERVICES

Central's applications engineering team is ready to discuss your design challenges. Just ask.

- Free quick ship samples (2nd day air)
- Online technical data and parametric search
- SPICE models
- Custom electrical curves
- Environmental regulation compliance
- Customer specific screening
- Up-screening capabilities
- Special wafer diffusions
- PbSn plating options
- Package details
- Application notes
- Application and design sample kits
- Custom product and package development

REQUESTING PRODUCT PLATING

1. If requesting Tin/Lead plated devices, add the suffix "TIN/LEAD" to the part number when ordering (example: 2N2222A TIN/LEAD).
2. If requesting Lead (Pb) Free plated devices, add the suffix "PBFREE" to the part number when ordering (example: 2N2222A PBFREE).

CONTACT US

Corporate Headquarters & Customer Support Team

Central Semiconductor Corp.
145 Adams Avenue
Hauppauge, NY 11788 USA
Main Tel: (631) 435-1110
Main Fax: (631) 435-1824
Support Team Fax: (631) 435-3388
www.centrasemi.com

Worldwide Field Representatives:
www.centrasemi.com/wwreps

Worldwide Distributors:
www.centrasemi.com/wwdistributors

For the latest version of Central Semiconductor's **LIMITATIONS AND DAMAGES DISCLAIMER**, which is part of Central's Standard Terms and Conditions of sale, visit: www.centrasemi.com/terms



http://www.centrasemi.com

Product End of Life Notification

PDN ID:	PDN01169
Notification Date:	3/26/21
Last Buy Date:	9/26/21
Last Shipment Date	3/26/22

Summary: The devices below manufactured in the TO-116 case are discontinued and now classified as End of Life (EOL); last time buy orders will be NCNR. Note: MPQ2222, MPQ222A, and MPQ3904 are NOT being discontinued and remain active devices.

Although Central Semiconductor Corp. makes every effort to continue to produce devices that have been proclaimed EOL (End of Life) by other manufacturers, it is an accepted industry practice to discontinue certain devices when customer demand falls below a minimum level of sustainability. Accordingly, the following product(s) have been transitioned to End of Life status as part of Central's ongoing Product Management Process. Any replacement products are noted below. The effective date for placing last purchase orders will be six (6) months from the date of this notice and twelve (12) months from the notice date for final shipments, and minimum order quantities may apply. The last purchase and shipment dates may be extended if inventory is available.

*** All Plating types (PBFREE,TIN/LEAD) for each item listed are included in this notice.**

<u>Central Part Number</u>	<u>Replacement</u>
MPQ2369	N/A
MPQ2483	N/A
MPQ2484	N/A
MPQ2907	N/A
MPQ2907A	N/A
MPQ3467	N/A
MPQ3762	N/A
MPQ3798	N/A
MPQ3799	N/A
MPQ3906	N/A
MPQ6002	N/A
MPQ6100A	N/A
MPQ6502	N/A
MPQ6700	N/A
MPQ7043	N/A
MPQ7053	N/A
MPQ7093	N/A

Central would be happy to assist you by providing additional information or technical data to help locate an alternate source if we have no replacement available. Please email your requests to engineering@centrasemi.com.

DISCLAIMER: This End of Life (EOL) notification is in accordance with JEDEC standard JESD48 - Product Discontinuance. Central Semiconductor Corp. will make every effort to offer life-time buy (LTB) opportunities and/or offer replacement devices to existing customers for discontinued devices, however, one or both may not be possible for all devices. Please contact your local Central Semiconductor sales representative for LTB opportunities/additional information.