
PRODUCT / PROCESS CHANGE NOTIFICATION**PCN NO: PCN IN 210203-01**

Issue Date: Feb. 8th, 2021**SUBJECT OF CHANGE:****Lead frame change.****PRODUCTS AFFECTED:**

IN-P416ASUW

PRODUCT SPEC NUMBER:

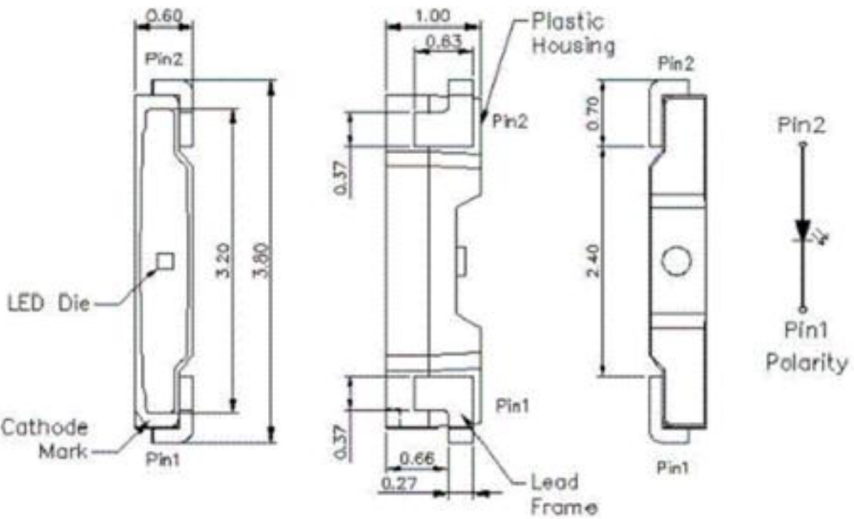
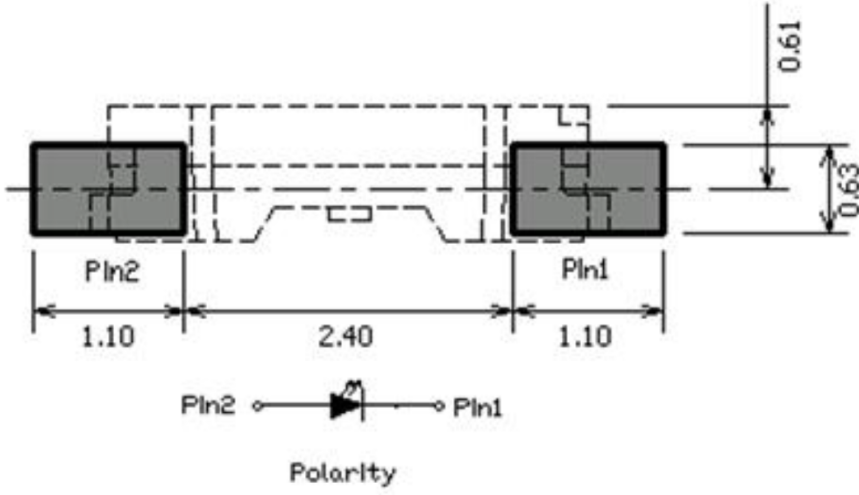
IN-P416ASUW	IN-P416ASUW-7229
IN-P416ASUW-7603	IN-P416ASUW-7628
IN-P416ASUW-7517	IN-P416ASUW-7483
IN-P416ASUW-7116	

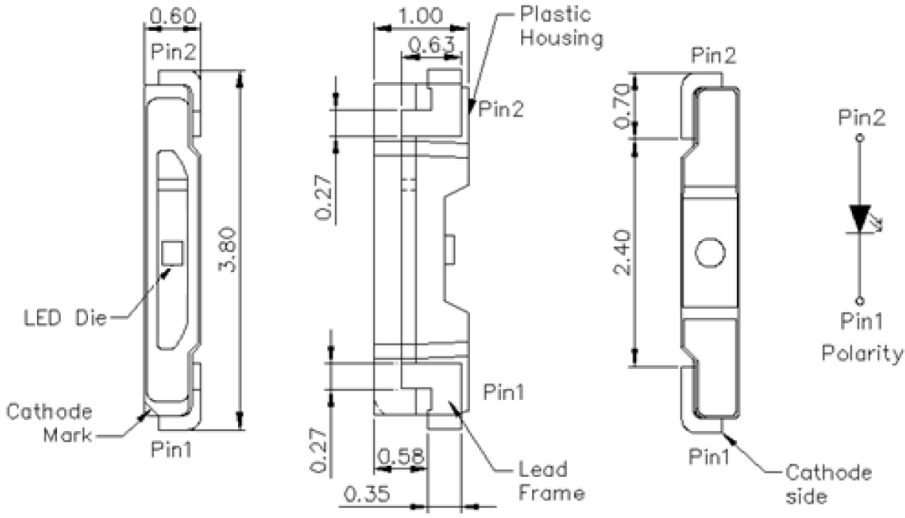
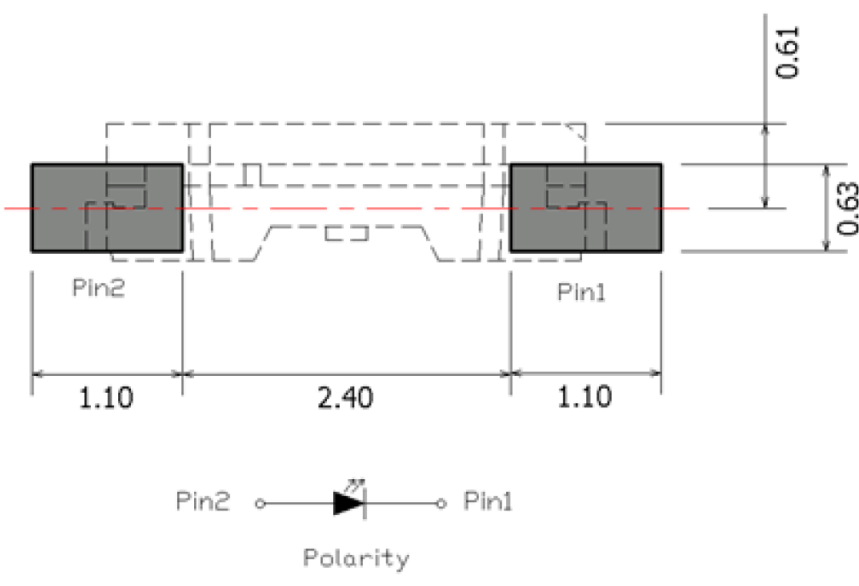
REASON OF CHANGE:

Due to EOL notice of LED lead-frame from supplier, Inolux will change to new Lead frame for replacement.

DESCRIPTION OF CHANGE:**Major Change****Minor Change**

PRODUCT IDENTIFICATION TO INDICATE CHANGE:

	Old
Outline Dimension	
Soldering Pattern	

New	
Outline Dimension	
Soldering Pattern	

Dimension: No Changed

Specification: No Change

Material: Lead frame Change

Datasheet: Update to new version

Please note this is a lead frame change PCN. Replacement material will have the same optical and electrical specification. All reliability specifications remain the same.



DATE OF LAST TIME BUY OF ORIGINAL VERSION:

April 30th, 2021

DATECODE OF CHANGE:

May. 1st, 2021

DATE TO BEGIN SHIPPING:

May. 1st, 2021

ASSESSMENT:

In case of any questions please contact us at:

Issue By	Department	Telephone	Ext.	Fax
William Chang	TM	+1-408-8843871		+1-408-8449618
Holton Lee	GM	+1-408-8449698		+1-408-8449618



**CUSTOMER FEEDBACK FORM
to INOLUX PCN
Inolux Corporation Change of Lead frame**

Dear Customer,

Your feedback is very much appreciated and will help us to realize this change without problems.
Thank you for your help.

Please tick and comment.

We agree with this change and the schedule.

We have the following objections :

In addition, we need the following information:

We need samples.

Type:

Quantity:

Special requirement:

Purpose of sample order:

Please feedback to: Inolux Corporation

Customer Representative's name:

FAX No.: +1-408-8449618

Phone: +1-408-8843871

Name: Mr. William Chang

.....

Address: 3350 Scott Blvd.

Suite 4102

Santa Clara, CA, USA.

**Date/Customer Representative's
Signature**