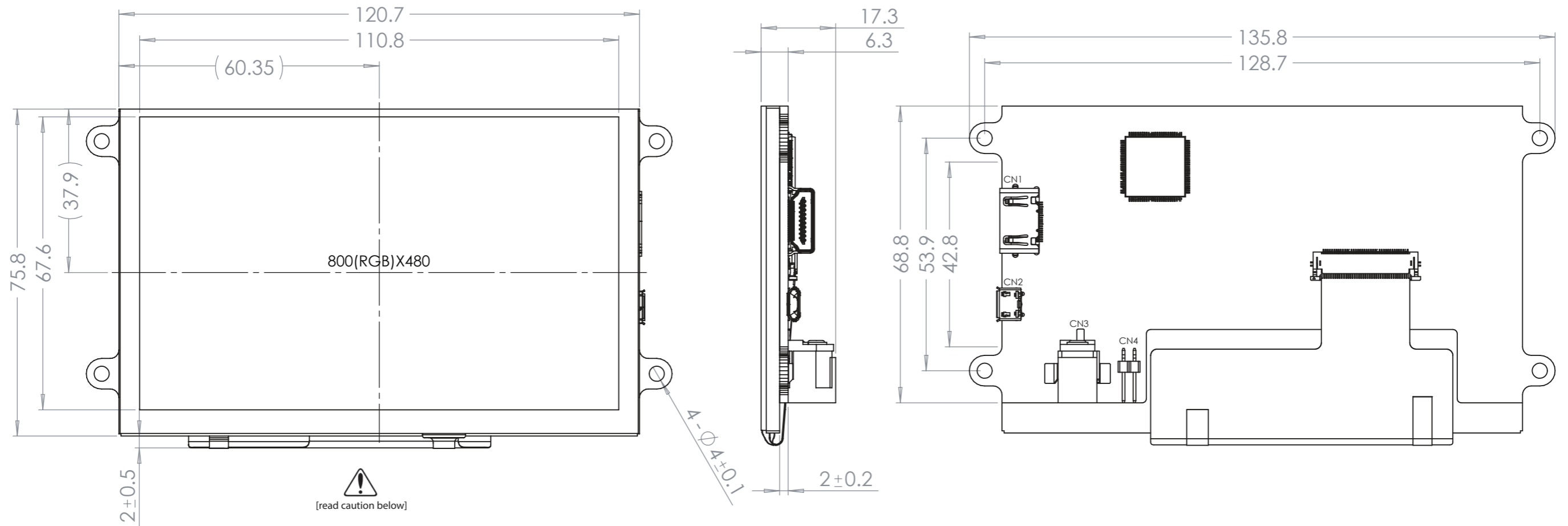


SYMBOL	REVISION	DATE



[read caution below]

- NOTES:**
1. 5.0" Premium HDMI TFT Module w/ USB-HID Resistive Touch
 2. On-board Texas Instruments TFP401A HDMI/DVI Receiver
 3. Optimal Viewing Direction: Full View
 4. Display Mode: Transmissive / Normally White / Anti-Glare
 5. Luminance: 480 cd/m²
 6. 3M Brightness Enhancement Film
 7. Touch Panel: Resistive
 8. On-board Texas Instruments TPS61165 High Brightness LED Driver w/ PWM

Improper handling of the FPC connections at the bottom edge of this module may cause damage resulting in display or touch failure. Take special care when handling this area of the display module to make sure these connections are never strained nor creased.

STANDARD TOLERANCE: (UNLESS OTHERWISE SPECIFIED)			
LINEAR: ± 0.3 mm			
DRAWING/PART NUMBER: NHD-5.0-HDMI-N-RTXL-RTU		REVISION: 1.2	SIZE: A3
UNLESS OTHERWISE SPECIFIED: - DIMENSIONS ARE IN MILLIMETERS - THIRD ANGLE PROJECTION		DRAWN BY: A. Shah	APPROVED BY: A. Shah
		DRAWN DATE: 5/8/20	APPROVED DATE: 5/8/20
		DO NOT SCALE DRAWING	
		SHEET 1 OF 1	
THIS DRAWING IS SOLELY THE PROPERTY OF NEWHAVEN DISPLAY INTERNATIONAL, INC. THE INFORMATION IT CONTAINS IS NOT TO BE DISCLOSED, REPRODUCED OR COPIED IN WHOLE OR PART WITHOUT WRITTEN APPROVAL FROM NEWHAVEN DISPLAY.			