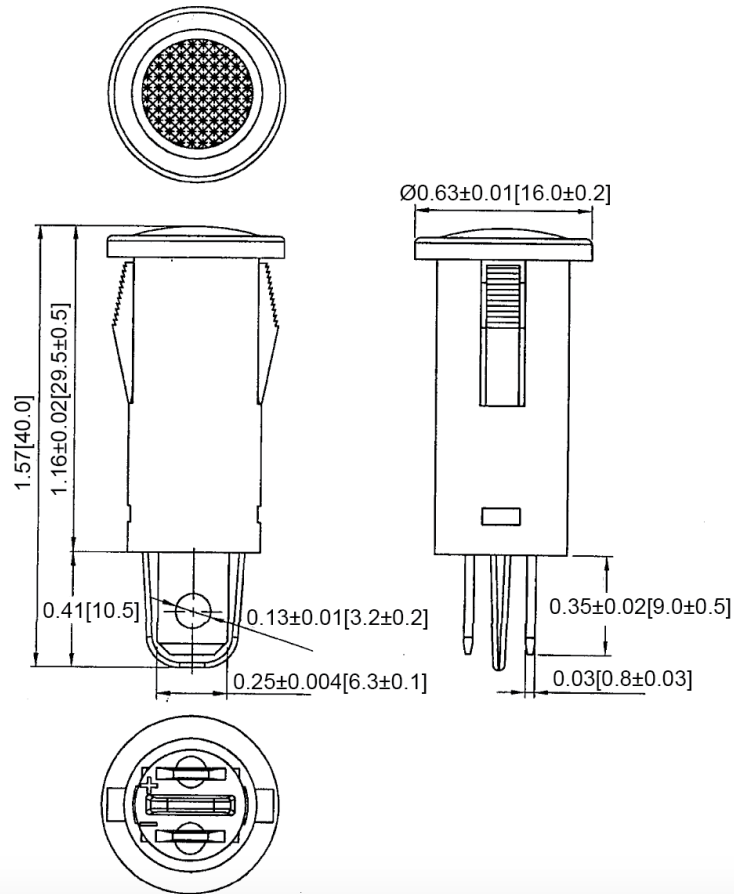


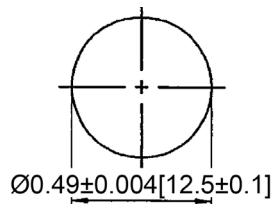
**Mechanical Dimensions: Inches [mm]**

Tolerances  $\pm 0.012$  [0.3] Unless Otherwise Specified

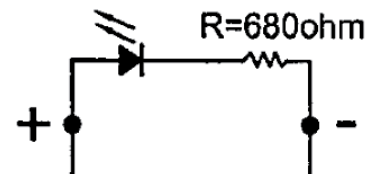


LED Color	Amber
Lens Color	Amber Clear

**Mounting Hole**



**Circuit Diagram**



**Electrical Specifications**

Voltage Rating	12VDC
Insulation Resistance	DC 500V 100M ohms
Dielectric Strength	AC 500V 1 min
Operating Temperature	-20°C ~ 85°C

**Material Specifications**

LED Size	5mm
Body	PC (UL94V-2)
Base	Nylon 66 + 33% Fiberglass
Terminal	Brass, Nickel Plated

**Rev      Date of issue      Revision Notes**

**Designed      Approved**

A	11-30-2020	Initial Drawing	RC	OF
---	------------	-----------------	----	----