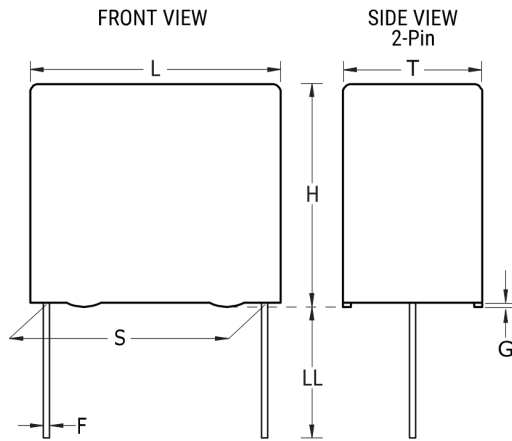


F612KM155K100A

Obsolete

F612, Film, Metallized Polyester Stacked, General Purpose, 1.5 uF, 10%, 100 VDC, 85°C, Lead Spacing = 7.5mm



Click [here](#) for the 3D model.

Dimensions

| | |
|----|-----------------|
| L | 10.5mm -0.5mm |
| H | 12mm -0.5mm |
| T | 6mm -0.5mm |
| S | 7.5mm +/-0.4mm |
| LL | 17mm -1mm |
| F | 0.6mm +/-0.05mm |
| G | 0.5mm NOM |

Packaging Specifications

| | |
|--------------------|------|
| Packaging | Bulk |
| Packaging Quantity | 800 |

General Information

| | |
|---------------|------------------------------|
| Series | F612 |
| Dielectric | Metallized Polyester Stacked |
| Style | Radial |
| Features | MKP, Pulse |
| RoHS | Yes |
| Lead | Wire Leads |
| AEC-Q200 | No |
| Miscellaneous | ClimCat: 55/105/56. |

Specifications

| | |
|-----------------------|------------------------|
| Capacitance | 1.5 uF |
| Capacitance Tolerance | 10% |
| Voltage AC | 63 VAC |
| Voltage DC | 100 VDC, 75 VDC (105C) |
| Temperature Range | -55/+105°C |
| Rated Temperature | 85°C |
| Dissipation Factor | 1.2% 1kHz |
| Insulation Resistance | 3.333 GOhms |
| Max dV/dt | 150 V/us |
| Inductance | 6 nH |