

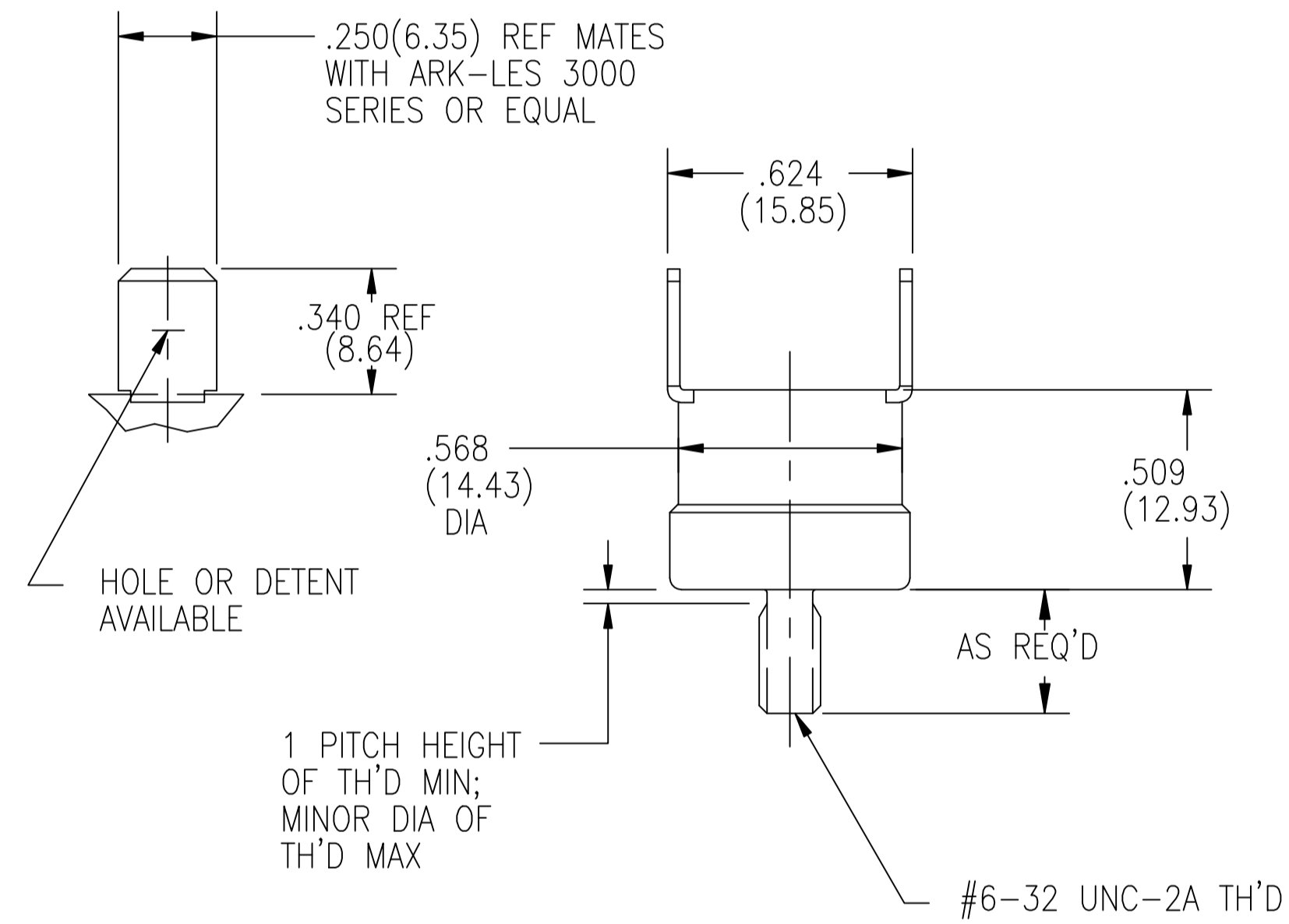
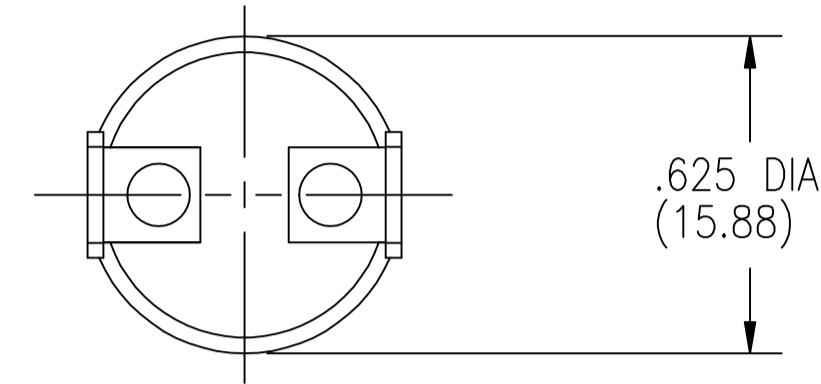
FD-55110-B

2

1

HONEYWELL
PART NUMBER
-

REV	DOCUMENT	CHANGED BY	CHECK
A	0042617	DSK 19SEP08	BLR



B

B

A

A

DESIGN UNITS: INCH
TOLERANCES UNLESS NOTED: DEC: ±.015 MMS:(±.38)

NO PLACE	X	±	-
ONE PLACE	.X	±	-
TWO PLACE	.XX	±	-
THREE PLACE	.XXX	±	.015
FOUR PLACE	.XXXX	±	-
ANGLES	X	±	-

DRAWN	DJD	27SEP90
CHECK	EJ	27SEP90

THIS DRAWING COVERS A PROPRIETARY ITEM AND IS THE PROPERTY OF HONEYWELL. THIS DRAWING IS NOT TO BE COPIED OR USED WITHOUT THE PERMISSION OF HONEYWELL.

INTERPRET PER ASME Y14.5M-1994 OTHER HONEYWELL ENGINEERING STANDARDS MAY APPLY

AUTOCAD 2D

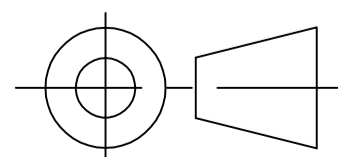
Honeywell

TITLE THERMOSTAT SPST

SIZE	TYPE	DRAWING NAME	REV
A	E	2455-157	A

SCALE	2:1	CAGE CODE:14604	SHEET	3 OF 3
-------	-----	-----------------	-------	--------

THIRD ANGLE PROJECTION



2

1