

NO: PMS - 013	PRODUCT: EE-SX1107 – Photomicrosensor (Transmissive)
DATE: March 2017	TYPE: DISCONTINUATION – Streamline Product Offering

EE-SX1107 Photomicrosensor – DISCONTINUATION Replaced By New Product Model



In an effort to streamline our product offering and with the release of new SMT model series, OMRON will discontinue both EE-SX1107(-1) Photomicrosensor models in February 2018. The suggested replacement will be our EE-SX1320 Photomicrosensor model and it became available December 2016. Despite slight differences to the dimensions and characteristics, the EE-SX1320 Photomicrosensor can be considered to be a functional equivalent. Please carefully read through this notification and note the differences. The following details will fully explain the discontinuation and replacement considerations; should you have any additional questions, however, please communicate with the Photomicrosensor Product Specialist.

LAST Order date (Last Time Buy Date)

February 28, 2018

All orders entered by the LTB date will be shipped by the factory by the end of:

June, 2018



	<p>Product Discontinuation</p> <p>Photomicrosensor (Transmissive)</p> <p>Model EE-SX1107</p> <p>Model EE-SX1107-1</p>		<p>Suggested Replacement</p> <p>Photomicrosensor (Transmissive)</p> <p>Model EE-SX1320</p> <p>Model EE-SX1320</p>
---	--	---	--

Differences from discontinued product:

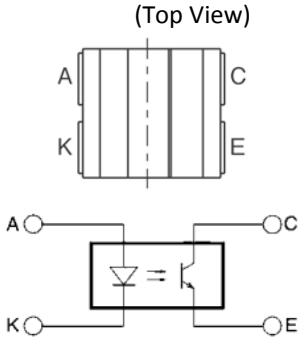
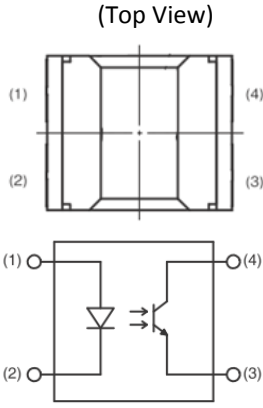
Suggested Replacement Model	Body Color	Dimen -sions	Wire connection	Mounting Dimensions	Charact -eristics	Operation ratings	Operation methods
EE-SX1320	**	--	*	--	*	*	**

- ** : Compatible
- * : The change is little/Almost compatible
- : Not compatible
- : No corresponding specification

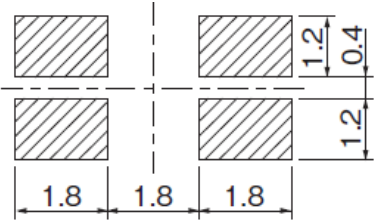
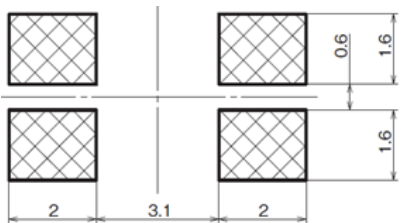
Body Color:

Discontinued Model EE-SX1107 (-1)	Suggested Replacement Model EE-SX1320
Black 	Black 

Wire Connection:

Discontinued Model EE-SX1107 (-1)	Suggested Replacement Model EE-SX1320																				
<p>Wire connection</p> <p>(Top View)</p>  <table border="1" data-bbox="261 1052 613 1270"> <thead> <tr> <th>Terminal No.</th> <th>Name</th> </tr> </thead> <tbody> <tr> <td>A</td> <td>Anode</td> </tr> <tr> <td>K</td> <td>Cathode</td> </tr> <tr> <td>C</td> <td>Collector</td> </tr> <tr> <td>E</td> <td>Emitter</td> </tr> </tbody> </table>	Terminal No.	Name	A	Anode	K	Cathode	C	Collector	E	Emitter	<p>Wire connection</p> <p>(Top View)</p>  <table border="1" data-bbox="992 1094 1289 1283"> <thead> <tr> <th>Terminal No.</th> <th>Name</th> </tr> </thead> <tbody> <tr> <td>(1)</td> <td>Anode</td> </tr> <tr> <td>(2)</td> <td>Cathode</td> </tr> <tr> <td>(3)</td> <td>Emitter</td> </tr> <tr> <td>(4)</td> <td>Collector</td> </tr> </tbody> </table>	Terminal No.	Name	(1)	Anode	(2)	Cathode	(3)	Emitter	(4)	Collector
Terminal No.	Name																				
A	Anode																				
K	Cathode																				
C	Collector																				
E	Emitter																				
Terminal No.	Name																				
(1)	Anode																				
(2)	Cathode																				
(3)	Emitter																				
(4)	Collector																				

Mounting Dimensions:

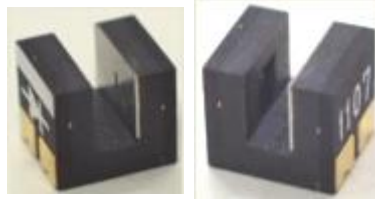
Discontinued Model EE-SX1107 (-1)	Suggested Replacement Model EE-SX1320
<p>Mounting dimensions</p> 	<p>Mounting dimensions</p> 

Dimensions:

**Discontinued Model
EE-SX1107 (-1)**

EE-SX1107(-1)

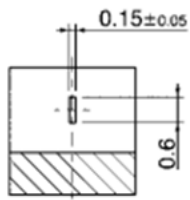
Slot width : 1mm
 Dimensions(W × L × H) : 3mm × 3.4mm × 3mm
 Emitter Top Detector



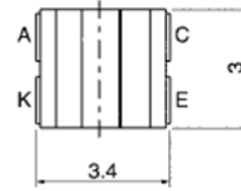
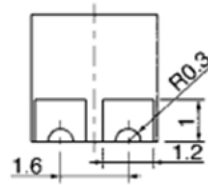
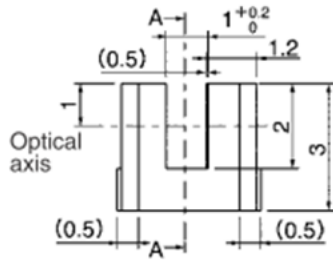
Aperture size (H x W)

Emitter	Detector
1.5×1.1	0.6×0.15

Terminal No.	Name
A	Anode
K	Cathode
C	Collector
E	Emitter



Section A-A'



**Suggested Replacement Model
EE-SX1320**

EE-SX1320

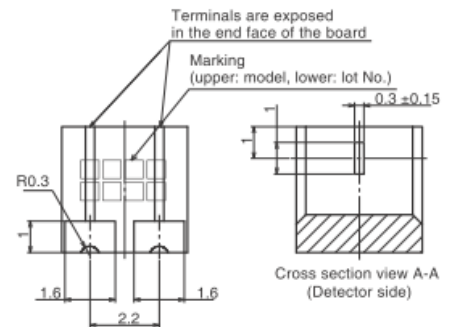
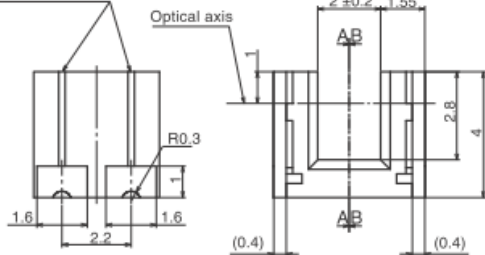
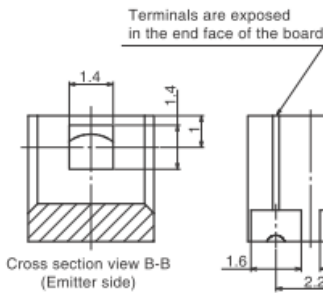
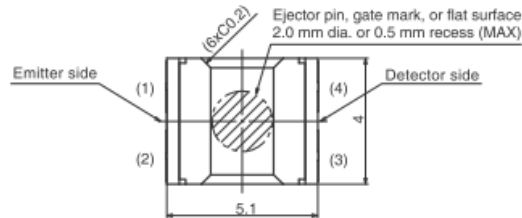
Slot width : 2mm
 Dimensions(W × L × H) : 4mm × 5.1mm × 4mm
 Emitter Top Detector



Aperture size (H x W)

Emitter	Detector
1.4×1.4	1×0.3

Terminal No.	Name
(1)	Anode
(2)	Cathode
(3)	Emitter
(4)	Collector



Operation Ratings:

Discontinued Model EE-SX1107 (-1)	Suggested Replacement Model EE-SX1320
<p>Response Time vs. Load Resistance Characteristics(Typical)</p> <p>Response time t_r, t_f (μs)</p> <p>Load resistance R_L ($k\Omega$)</p> <p>$V_{CC} = 5 V$ $T_a = 25^\circ C$</p>	<p>Response Time vs. Load Resistance Characteristics(Typical)</p> <p>Response time t_r, t_f (μs)</p> <p>Load resistance R_L ($k\Omega$)</p> <p>$V_{CC} = 5 V$ $I_L = 0.5 mA$ $T_a = 25^\circ C$</p>
<p>Sensing Position Characteristics(Typical)</p> <p>Relative light current I_L (%)</p> <p>Distance d (mm)</p> <p>$I_F = 5 mA$ $V_{CE} = 5 V$</p>	<p>Sensing Position Characteristics(Typical)</p> <p>Relative light current I_L (%)</p> <p>Distance d (mm)</p> <p>$I_F = 5 mA$ $V_{CE} = 5 V$ $T_a = 25^\circ C$</p> <p>(Center of optical axis)</p>
<p>Sensing Position Characteristics(Typical)</p> <p>Relative light current I_L (%)</p> <p>Distance d (mm)</p> <p>$I_F = 5 mA$ $V_{CE} = 5 V$</p>	<p>Sensing Position Characteristics(Typical)</p> <p>Relative light current I_L (%)</p> <p>Distance d (mm)</p> <p>$I_F = 5 mA$ $V_{CE} = 5 V$ $T_a = 25^\circ C$</p> <p>(Center of optical axis)</p>

Characteristics:

Item	Discontinued Model EE-SX1107 (-1)	Suggested Replacement Model EE-SX1320
Collector–Emitter voltage	Maximum Ratings 20V	Maximum Ratings 12V
Forward current	Maximum Ratings 25mA	
Light current	50 μ A~500 μ A (Condition: IF=5mA, VCE=5V)	150 μ A~1500 μ A (Condition: IF=5mA, VCE=5V)
Dark current	Max 100nA (Condition: VCE=10V, 0Ix)	
Collector–Emitter saturated voltage	Max. : 0.4V (Condition: IF=20mA, IL=50 μ A)	
Rising time/Falling time	Rising time : Typ. : 10 μ s Falling time : Typ.: 10 μ s (Condition: VCC=5V, RL=1K Ω , IL=100 μ A)	Rising time: Typ. : 19 μ s Falling time: Typ.: 26 μ s (Condition: VCC=5V, RL=100 Ω , IL=500 μ A)

Packing Quantity:

Discontinued Model EE-SX1107	Suggested Replacement Model EE-SX1320
2,500 pcs / reel	2,000 pcs / reel
Discontinued Model EE-SX1107-1	Suggested Replacement Model EE-SX1320
100 pcs / bag	None

Details of Applicable Models:

EE-SX Discontinued Model	EE-SX Suggested Replacement Model
EE-SX1107	EE-SX1320
EE-SX1107-1	EE-SX1320

* Sales teams should communicate this discontinuation with their OEM's and CEM's.
For further technical support and any questions, please communicate with Product Marketing.

Specifications in this product news are as of the issue date and are subject to change without notice.
Only main changes in specifications are described in this document. Please be sure to read the relevant catalogs, datasheets, product specifications, instructions, and manuals for precautions and necessary information when using products.

Last time buy dates are subject to change based on availability