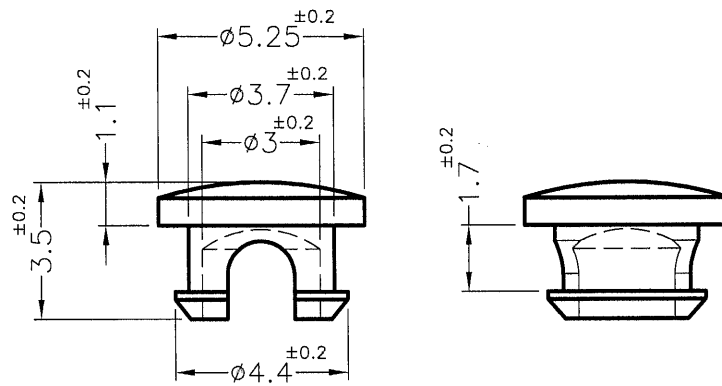

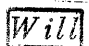
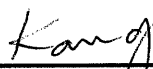


REVISIONS			
REV	DESCRIPTION	DATE	BY



MOUNTING HOLE: $\phi 3.7 \sim \phi 3.8 \text{mm}$
 THICKNESS: 0.8~1.6mm

PART NO.	COLOR
LC3-8	TRANSPARENT
LC3-8(PUE)	TRANSPARENT PURPLE

 <p> 康揚企業股份有限公司 KANG YANG HARDWARE ENTERPRISE CO., LTD. 康揚塑膠(東莞)有限公司 KANG YANG PLASTIC(DONG GUAN) CO., LTD. 康哲電腦配件(吳江)有限公司 KANG CHE COMPUTER COMPONENTS(WUJIANG) CO., LTD. </p>	TITLE		LIGHT PIPE		SPEC. DWG		
	MATERIAL		PC UL94V-2		DATE		2012.07.19
	FINISH				DRAWN		C.S.L
	COLOR		SEE ABOVE		CHECK		
PART NUMBER		DRAWING NUMBER		UNLESS OTHERWISE SPECIFIED TOLERANCE		APPROVED	
SEE ABOVE		LC3-8		SEE ABOVE			
SIZE	SCALE	UNIT	REV	TOLERANCE			
A4	5:1	mm	B	SEE ABOVE			