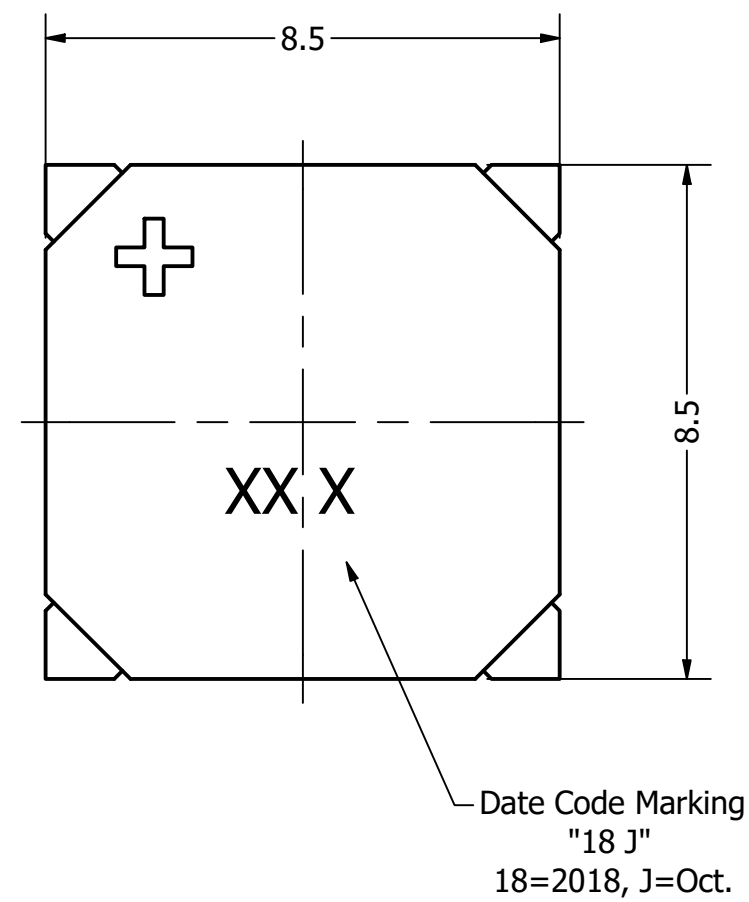
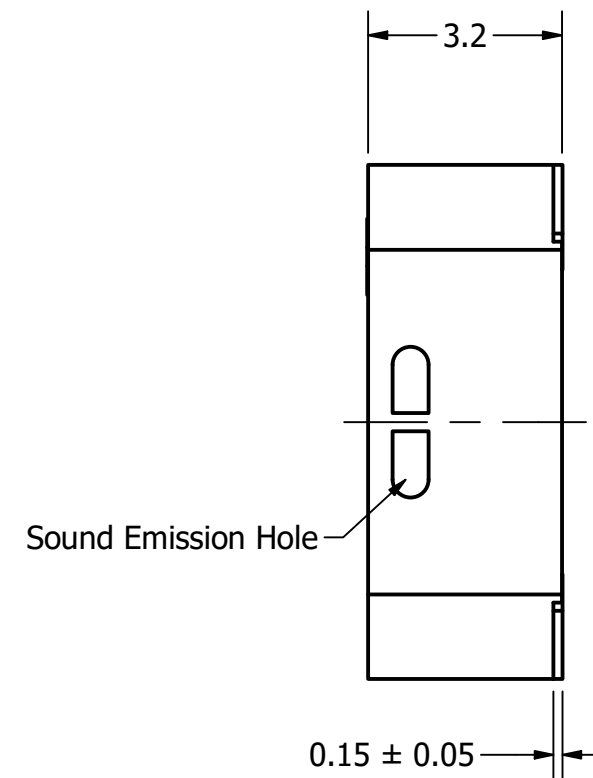


Part Number:	TE082703-8	
DRAWN	CJ	10/9/2018
CHECKED		10/10/2018
P.D.		10/10/2018
Description:	Electro-Mechanical Transducer	
APPROVED	C.E.	10/10/2018
This document contains data proprietary to DB Unlimited. Any use or reproduction, in any form, without prior written permission of DB Unlimited is prohibited. All terms and conditions can be found at www.dbunlimitedco.com		

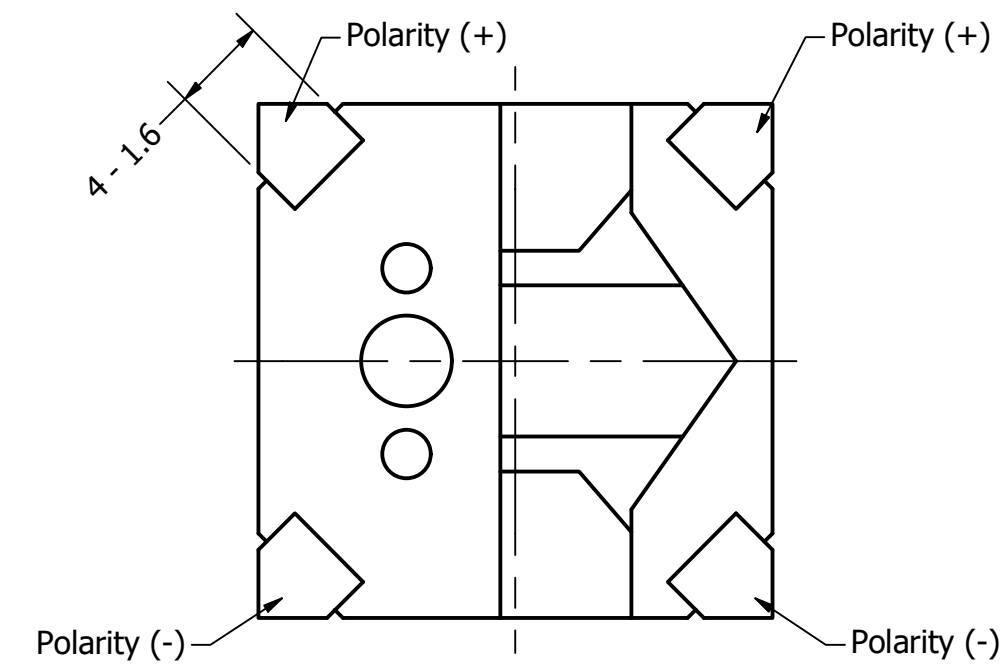
Top View



Side View



Bottom View



Items	Specifications	Conditions
Min. Sound Pressure Level	90	dB (@ 5cm)
Resonant Frequency	2,730	Hz
Rated Voltage	3.6	V
Voltage Range	3 ~ 5	V
Coil Resistance	20	Ω
Max. Rated Current	80	mA
Storage Temperature	-40 ~ +85	°C
Operating Temperature	-30 ~ +70	°C
Connection Method	Surface Mount Pads	
Mount Type	Surface Mount	
Housing Material	LCP	
Weight	0.8	g

REVISION HISTORY			
REV	DESCRIPTION	DATE	APPROVED
	Released from Engineering	10/10/2018	C.E.

- NOTES
- 1) All dimensions are in mm unless otherwise noted
 - 2) All tolerances are ± 0.5 mm unless otherwise noted
 - 3) All parts meet RoHS
 - 4) Subject to change or redrawn without notice