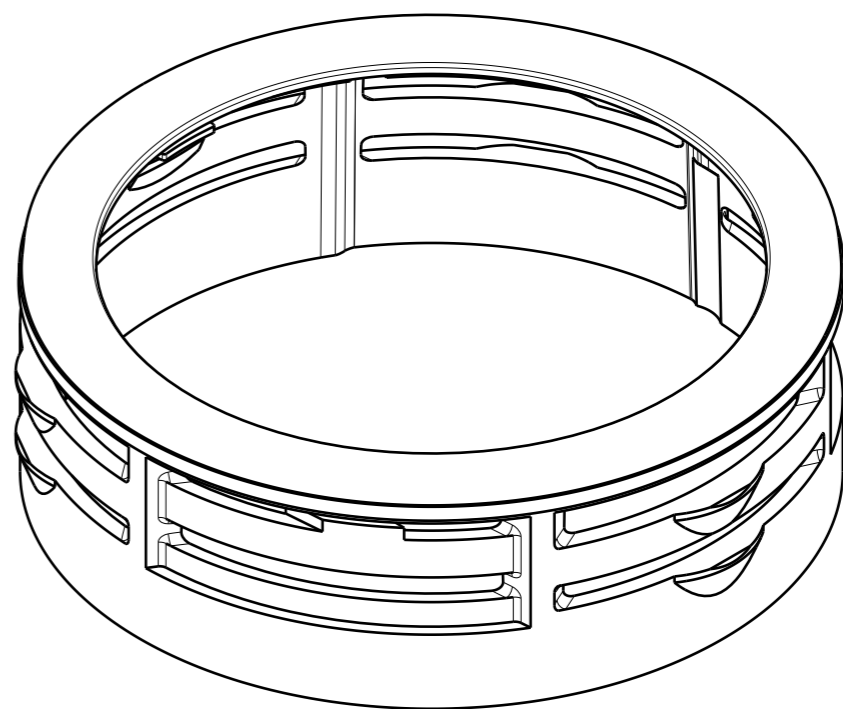
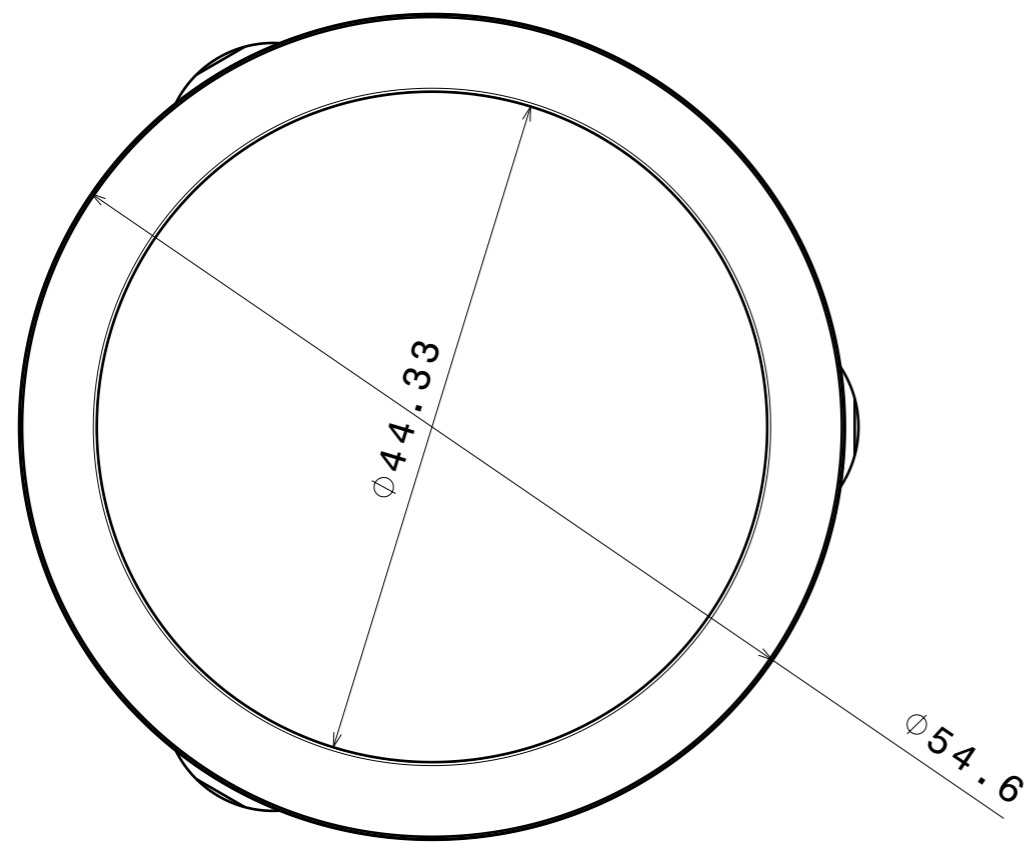


Front view
Scale: 2:1



Isometric view
Scale: 2:1



Top view
Scale: 2:1

PART	TYPE	MATERIAL	COLOR / COATING
C17093_ALISE-50-RING		PC	Black

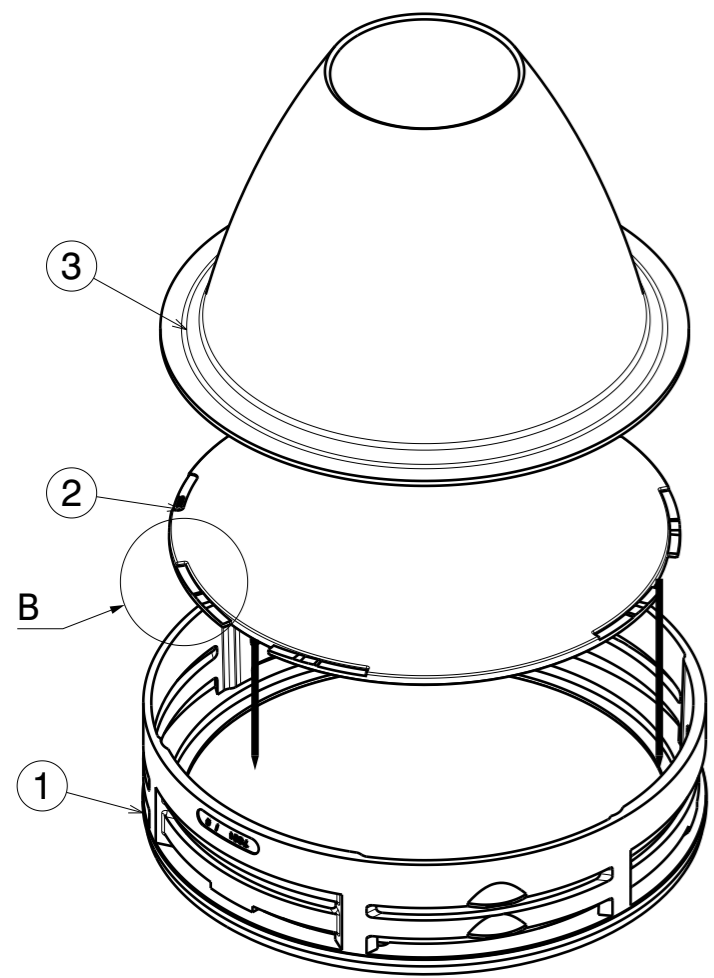
MECHANICAL DRAWING		LEDiL[®]
PRODUCT ALISE ACCESSORIES		
Plastic moulding general tolerances according to DIN 16901-130 and applies if not otherwise shown in the drawing. Silicone moulding general tolerances according to ISO 3302-1 Class M3 and applies if not otherwise shown in the drawing.	FIRST ANGLE PROJECTION: 	This drawing is the property of LEDiL Oy. It may not be copied or otherwise distributed without prior written permission from LEDiL Oy.
SCALE 2:1	WEIGHT 5 g	A3 SHEET 1/1

Notes

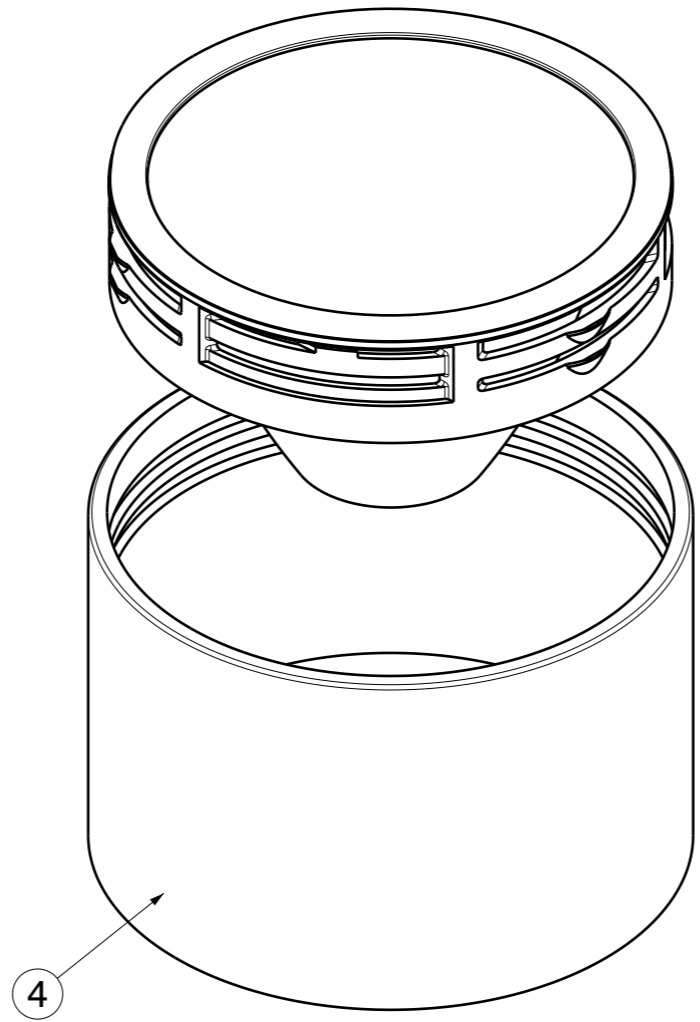
	PCB or heatsink level.
	LED location
	Ensure LED fitting from a product specific 3D model available from www.ledil.com
	For more details about installation please see LEDiL Installation Guide on www.ledil.com

1. Place ALISE-50-RING(#1) on the flat surface.
2. Drop sublense (#2) inside ring (#1). 3 slots guides rotation. NOTE. Recesses in sublense upwards as shown in Detail B To fasten sublens can be rotated clock or counter clock wise.
3. Press ALISE Reflector(#3) inside ring (#1). 3 snap features on ring will lock the reflector in place.
4. Press assembled reflector + accessory to luminaire housing. Reference dimensioning for locking features shown in section view A

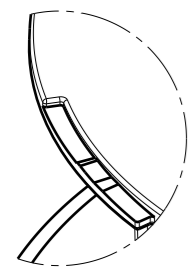
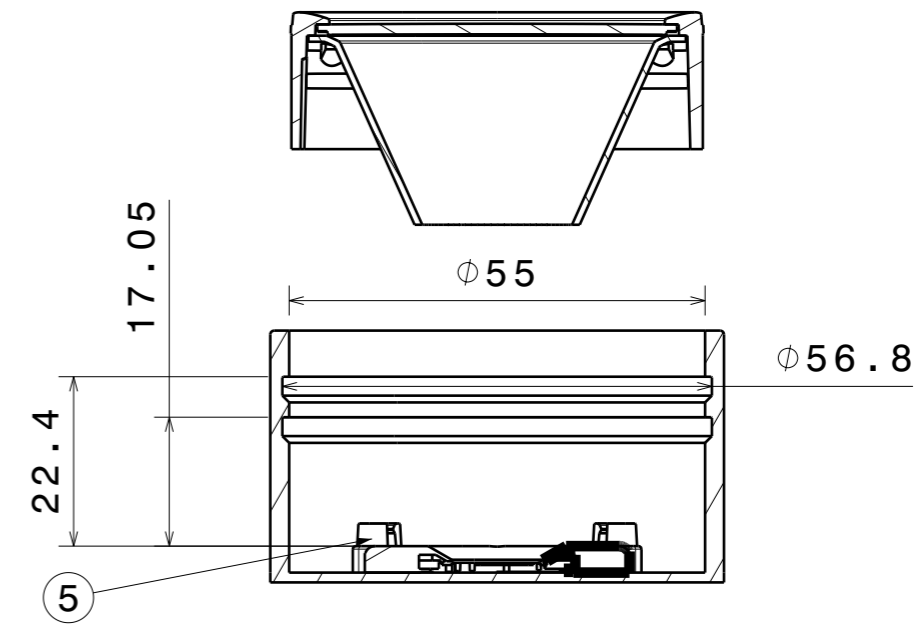
Steps 1-3



Step 4



Section View A



Detail B
Scale: 2:1

Notes

●	PCB or heatsink level.
●	LED location
	Ensure LED fitting from a product specific 3D model available from www.ledil.com
	For more details about installation please see LEDiL Installation Guide on www.ledil.com

PART	#
C17093_ALISE-50-RING	1
C17099_ALISE-50-DL/C17094_ALISE-50-CL	2
C16907_C16908_C16909_C16910_ALISE-50	3
Luminaire housing reference	4
LED connector	5

MECHANICAL DRAWING		LEDiL [®]
PRODUCT ALISE ACCESSORIES		
Plastic moulding general tolerances according to DIN 16901-130 and applies if not otherwise shown in the drawing. Silicone moulding general tolerances according to ISO 3302-1 Class M3 and applies if not otherwise shown in the drawing.	FIRST ANGLE PROJECTION: 	This drawing is the property of LEDiL Oy. It may not be copied or otherwise distributed without prior written permission from LEDiL Oy.
SCALE -	WEIGHT -	