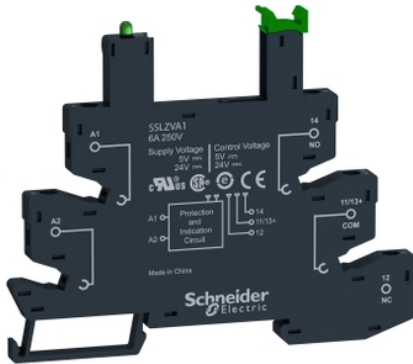


# SSLZRA1

Harmony, Socket equipped with LED and protection circuit, for SSL relays, spring terminals, 5/24 V DC



## Main

Range of Product	Harmony Solid State Relays
Product or Component Type	Socket for SSL1
Device short name	SSLZ
Sale per indivisible quantity	10

## Complementary

Contact terminal arrangement	Separate
Product compatibility	Solid state relay SSL NO 24 V DC Solid state relay SSL NO 5 V DC
Shape of pin	Flat
[Ith] conventional free air thermal current	6 A
[Ith] conventional free air thermal current	6 A
[Ue] rated operational voltage	< 250 V DC
Connections - terminals	Spring terminals, 1 x 0.2...1 x 1.5 mm <sup>2</sup> AWG 24...AWG 16) solid without cable end Spring terminals, 1 x 0.2...1 x 1.5 mm <sup>2</sup> AWG 24...AWG 16) flexible with cable end
Clamping force	10...40 N
Fixing mode	Clip-on 35 mm DIN rail)
Switching voltage	5 V DC 24 V DC
Local signalling	For input status LED (green)
Width	0.24 in (6.2 mm)
Height	3.98 in (101 mm)
Depth	3.09 in (78.6 mm)
Net Weight	0.06 lb(US) (0.0285 kg)

## Environment

Flame retardance	V0 conforming to UL 94
Standards	IEC 61984
Product Certifications	UL 508 CSA C22-2 No 14
Marking	CE
Ambient Air Temperature for Storage	-40...185 °F (-40...85 °C)
Ambient Air Temperature for Operation	-40...158 °F (-40...70 °C)
IP Degree of Protection	IP20
Dielectric strength	2500 V

The information provided in this documentation contains general descriptions and/or technical characteristics of the performance of the products contained herein. This documentation is not intended as a substitute for and is not to be used for determining suitability or reliability of these products for specific user applications. It is the duty of any such user or integrator to perform the appropriate and complete risk analysis, evaluation and testing of the products with respect to the relevant specific application or use thereof. Neither Schneider Electric Industries SAS nor any of its affiliates or subsidiaries shall be responsible or liable for misuse of the information contained herein.

## Ordering and shipping details

Category	21127-ZELIO ICE CUBE RELAYS
Discount Schedule	CP2
GTIN	00785901968344
Nbr. of units in pkg.	1
Package weight(Lbs)	0.83 oz (23.5 g)
Returnability	No
Country of origin	CN

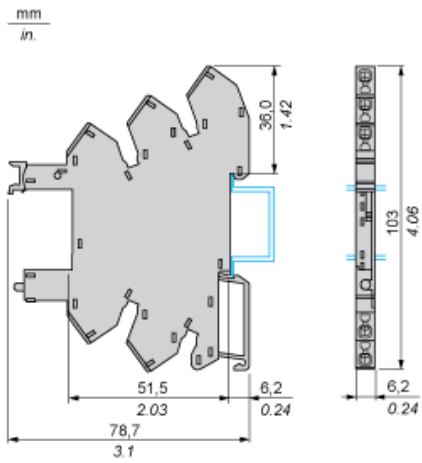
## Packing Units

Unit Type of Package 1	PCE
Package 1 Height	0.24 in (0.6 cm)
Package 1 width	3.11 in (7.9 cm)
Package 1 Length	3.78 in (9.6 cm)
Unit Type of Package 2	BB1
Number of Units in Package 2	10
Package 2 Weight	0.58 lb(US) (0.263 kg)
Package 2 Height	2.80 in (7.1 cm)
Package 2 width	3.35 in (8.5 cm)
Package 2 Length	4.21 in (10.7 cm)
Unit Type of Package 3	S03
Number of Units in Package 3	300
Package 3 Weight	20.50 lb(US) (9.3 kg)
Package 3 Height	11.81 in (30 cm)
Package 3 width	11.81 in (30 cm)
Package 3 Length	15.75 in (40 cm)

## Offer Sustainability

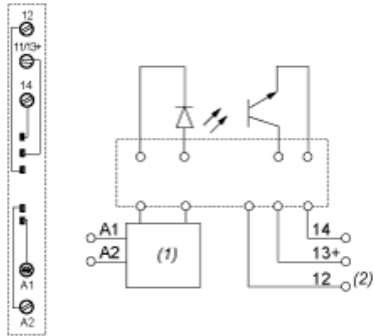
Sustainable offer status	Green Premium product
California proposition 65	WARNING: This product can expose you to chemicals including: Nickel compounds, which is known to the State of California to cause cancer, and Di-isodecyl phthalate (DIDP), which is known to the State of California to cause birth defects or other reproductive harm. For more information go to <a href="http://www.P65Warnings.ca.gov">www.P65Warnings.ca.gov</a>
REACH Regulation	<a href="#">REACH Declaration</a>
REACH free of SVHC	Yes
EU RoHS Directive	Pro-active compliance (Product out of EU RoHS legal scope) <a href="#">EU RoHS Declaration</a>
Toxic heavy metal free	Yes
Mercury free	Yes
RoHS exemption information	<a href="#">Yes</a>
China RoHS Regulation	<a href="#">China RoHS Declaration</a>
Environmental Disclosure	<a href="#">Product Environmental Profile</a>
Circularity Profile	<a href="#">End Of Life Information</a>

Dimensions



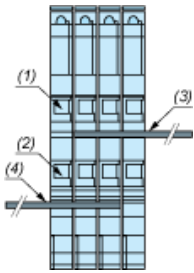
## Wiring Diagram

### Wiring Diagram for DC Output



- (1) Protection circuit
- (2) Terminal 12 is not in use for SSL Relay

### Example of RSLZ2 Bus Jumper Mounting on Sockets



- (1) A1
- (2) A2
- (3) Bus jumper polarity A1
- (4) Bus jumper polarity A2