

10 ma NON-DIFFUSED LED OPERATING CHARACTERISTICS AT T <sub>A</sub> = 25°C							
SYMBOL	PARAMETER	COLOR	MIN	TYP	MAX	UNITS	TEST COND.
V <sub>F</sub>	FORWARD VOLTAGE	RED		2.0	2.8	V	I <sub>F</sub> = 20 mA
		YELLOW		2.1	2.8		
		GREEN		2.1	2.8		
V <sub>R</sub>		ALL	5			V	I <sub>R</sub> = 100μA
λ <sub>PK</sub>	PEAK WAVELENGTH	RED		635		nm	MEASURED AT PEAK
		YELLOW		585			
		GREEN		565			
I <sub>V</sub>	LUMINOUS INTENSITY	RED	8.7	29		mcd	I <sub>F</sub> = 10 mA
		YELLOW	10	50			
		GREEN	32	50			

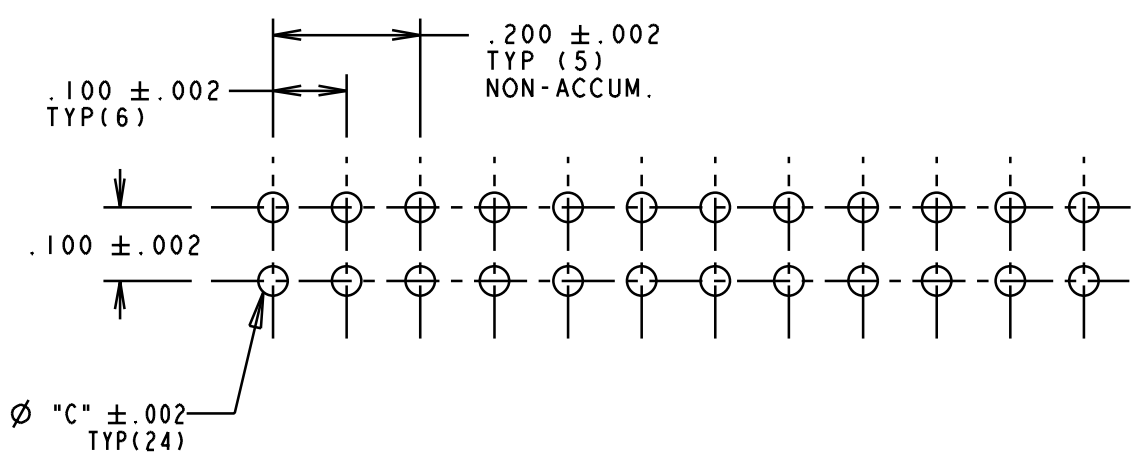
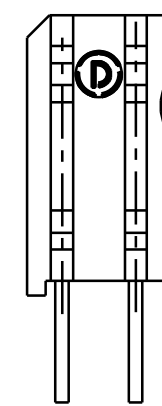
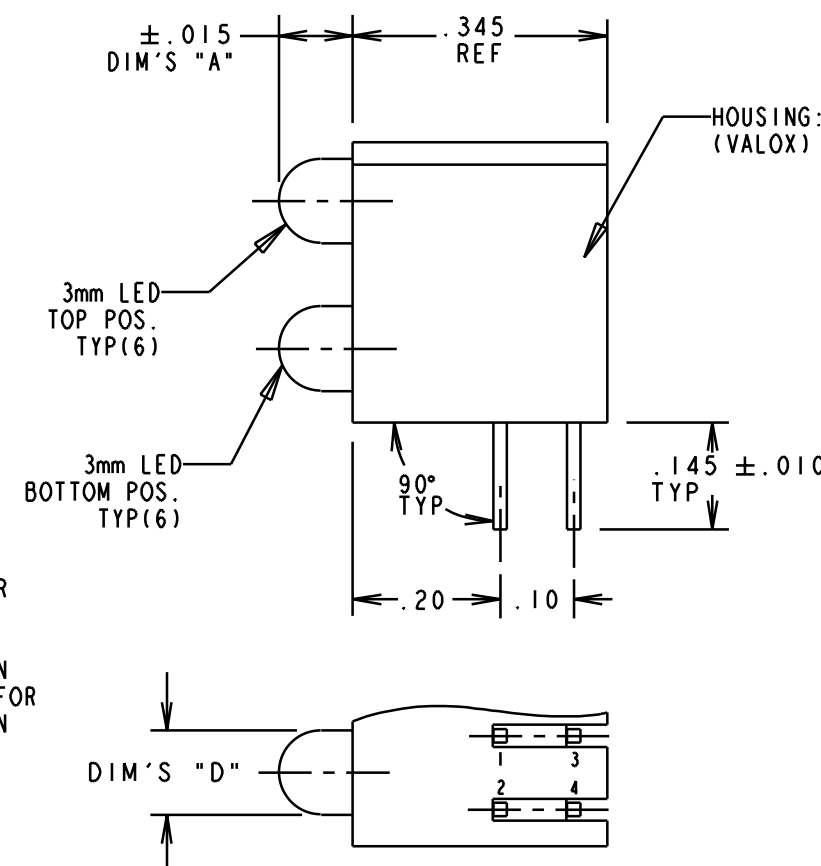
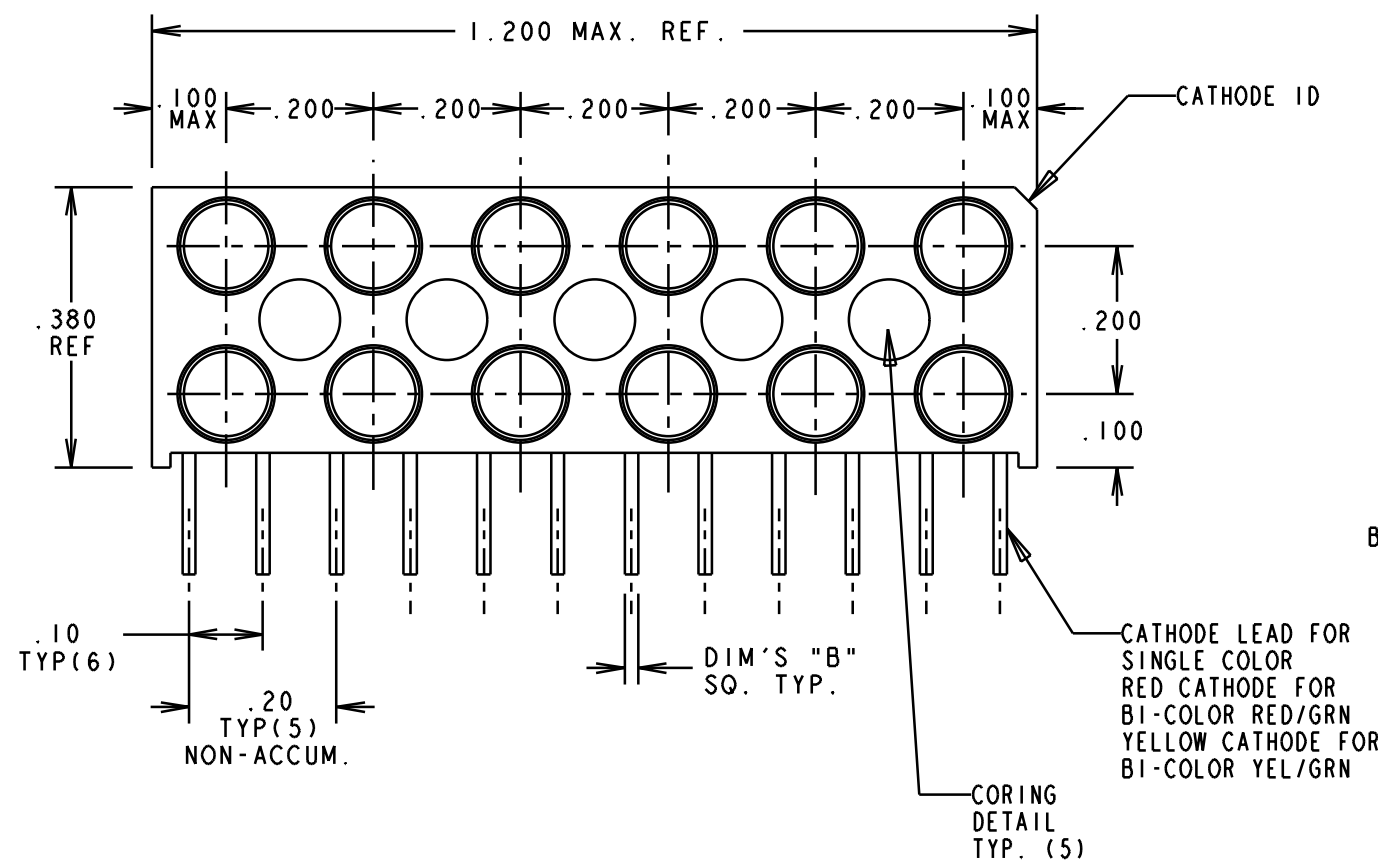
10 ma DIFFUSED LED OPERATING CHARACTERISTICS AT T <sub>A</sub> = 25°C							
SYMBOL	PARAMETER	COLOR	MIN	TYP	MAX	UNITS	TEST COND.
V <sub>F</sub>	FORWARD VOLTAGE	RED		2.0	3.0	V	I <sub>F</sub> = 10 mA
		YELLOW		2.1	3.0		
		GREEN		2.1	3.0		
		ORANGE		3.5	4.2		
V <sub>R</sub>		ALL	3			V	I <sub>R</sub> = 10μA
λ <sub>PK</sub>	PEAK WAVELENGTH	RED		635		nm	MEASURED AT PEAK
		YELLOW		585			
		GREEN		565			
		ORANGE		600			
I <sub>V</sub>	LUMINOUS INTENSITY	RED	7.4	10.0		mcd	I <sub>F</sub> = 10 mA
		YELLOW	7.4	10.0			
		GREEN	4.7	12.6			
		ORANGE	3.0	6.5			

2 ma LOW CURRENT LED OPERATING CHARACTERISTICS AT T <sub>A</sub> = 25°C							
SYMBOL	PARAMETER	COLOR	MIN	TYP	MAX	UNITS	TEST COND.
V <sub>F</sub>	FORWARD VOLTAGE	RED		1.7	2.2	V	I <sub>F</sub> = 2 mA
		YELLOW		1.8	2.7		
		GREEN		1.9	2.2		
I <sub>R</sub>		ALL			10	μA	V <sub>F</sub> = 5 V
λ <sub>PK</sub>	PEAK WAVELENGTH	RED		635		nm	MEASURED AT PEAK
		YELLOW		585			
		GREEN		565			
I <sub>V</sub>	LUMINOUS INTENSITY	RED	1.0	1.6		mcd	I <sub>F</sub> = 2 mA
		YELLOW	1.0	1.6			
		GREEN	1.0	1.6			

REV.	ECN NO.	REVISIONS	DRN.	CKD.	APP.	DATE
A		NEW RELEASE	DC		N.O.	7-3-96
B		REVISED ALL LED SPECS; ADDED NOTE 4.	TC	DC	N.O.	11-17-00
C		ADDED P/N 553-0132-306.	TC			

5 V., INTEGRAL RESISTOR LED OPERATING CHARACTERISTICS AT T <sub>A</sub> = 25°C							
SYMBOL	PARAMETER	COLOR	MIN	TYP	MAX	UNITS	TEST COND.
I <sub>F</sub>	FORWARD CURRENT	RED		10	20	mA	V <sub>F</sub> = 5 V
		YELLOW		10	20		
		GREEN		10	20		
V <sub>R</sub>		ALL	5			V	I <sub>R</sub> = 100μA
λ <sub>PK</sub>	PEAK WAVELENGTH	RED		635		nm	MEASURED AT PEAK
		YELLOW		585			
		GREEN		565			
I <sub>V</sub>	LUMINOUS INTENSITY	RED	8.7	29		mcd	V <sub>F</sub> = 5 V
		YELLOW	3.7	12.6			
		GREEN	5.6	19			

BI-COLOR LED OPERATING CHARACTERISTICS AT T <sub>A</sub> = 25°C							
SYMBOL	PARAMETER	COLOR	MIN	TYP	MAX	UNITS	TEST COND.
V <sub>F</sub>	FORWARD VOLTAGE	YELLOW/GREEN		2.0	2.6	V	I <sub>F</sub> = 10 mA
		RED/GREEN		2.0/2.1	2.8		
λ <sub>PK</sub>	PEAK WAVELENGTH	YELLOW/GREEN		585		nm	MEASURED AT PEAK
		RED/GREEN		635			
I <sub>V</sub>	LUMINOUS INTENSITY	YELLOW/GREEN	2.5			mcd	I <sub>F</sub> = 10 mA
		RED/GREEN	2.5/3.7	4.7/10.0			

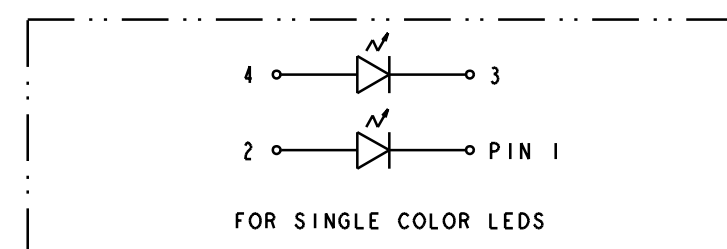
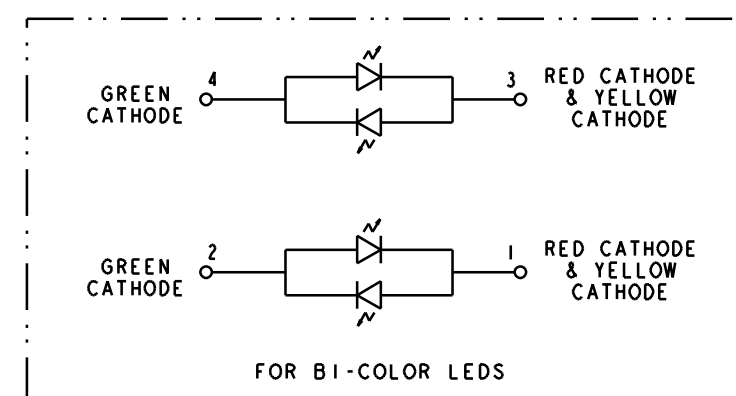


RECOMMENDED P.C. HOLE PATTERN GAUGE

PART NUMBER	LED COLOR		DIM'S "A"	DIM'S "B"	DIM'S "C"	DIM'S "D"
	TOP LED	BOTTOM LED				
553-0111-306	RED DIFF.	RED DIFF.	.097	.018	.040	.122 ± .010
553-0122-306	GREEN DIFF.	GREEN DIFF.	.097	.018	.040	.122 ± .010
553-0132-306	YELLOW DIFF.	GREEN DIFF.	.097	.018	.040	.122 ± .010
553-0133-306	YELLOW DIFF.	YELLOW DIFF.	.097	.018	.040	.122 ± .010
553-0177-306	ORANGE DIFF.	ORANGE DIFF.	.087	.018	.040	.115 ± .010
553-0211-306	2 mA RED DIFF.	2 mA RED DIFF.	.087	.018	.040	.115 ± .010
553-0222-306	2 mA GREEN DIFF.	2 mA GREEN DIFF.	.087	.018	.040	.115 ± .010
553-0233-306	2 mA YELLOW DIFF.	2 mA YELLOW DIFF.	.087	.018	.040	.115 ± .010
553-0311-306	5 V RED DIFF.	5 V RED DIFF.	.087	.018	.040	.115 ± .010
553-0322-306	5 V GREEN DIFF.	5 V GREEN DIFF.	.087	.018	.040	.115 ± .010
553-0333-306	5 V YELLOW DIFF.	5 V YELLOW DIFF.	.087	.018	.040	.115 ± .010
553-0711-306	BI-COLOR RED/GREEN	BI-COLOR RED/GREEN.	.093	.020	.043	.118 ± .005
553-0744-306	BI-COLOR YELLOW/GREEN	BI-COLOR YELLOW/GREEN	.093	.020	.043	.118 ± .005
553-2211-306	RED TINTED NON-DIFF.	RED TINTED NON-DIFF.	.087	.018	.040	.115 ± .010
553-2222-306	GREEN TINTED NON-DIFF.	GREEN TINTED NON-DIFF.	.087	.018	.040	.115 ± .010
553-2233-306	YELLOW TINTED NON-DIFF.	YELLOW TINED NON-DIFF.	.087	.018	.040	.115 ± .010

NOTES:

- LEADS TO BE FREE OF DEFORMATION AFTER BENDING AND CUTTING
- LAMP MUST BE SEATED ALL THE WAY DOWN INTO HOUSING. BENDS MUST BE TIGHT, & NO LONGITUDINAL TRAVEL ALONG AXIS ALLOWED.
- PIN NUMBERS FOR REFERENCE ONLY, DESIGNATION NON-EXISTENT ON PART.
- DIALIGHT PART NUMBER: 553-XXXX-306.



THIS DRAWING AND THE CONTENTS HEREIN ARE CONFIDENTIAL AND THE SOLE PROPERTY OF DIALIGHT. REPRODUCTION OF THIS DRAWING OR CONSTRUCTION OF ANY PARTS WITHIN THIS DRAWING ARE FORBIDDEN WITHOUT THE WRITTEN CONSENT OF DIALIGHT.		
SCALE 4:1	DRAWING NUMBER	REV
ALL DIM'S IN: INCHES	C-16105	C
TOLERANCES: UNLESS OTHERWISE SPECIFIED	TITLE	
FRACTIONS: ±1/64	BI-LEVEL ARRAY	
DECIMALS (.XX): ±.020	MATERIAL	
DECIMALS (.XXX): ±.015	Dialight	
ANGLES: ±1°	1913 ATLANTIC AVE.	
FINISH:	MANASQUAN, N.J. 08736	
FSCM 83330	SHEET OF	FAMILY TABLES: